



Wind Load Report - New Restaurant

1. Site & Building Data

Roof Type:	Gable
Wind Speed (ult):	110 mph
Exposure Category:	C
Enclosure Class:	Enclosed
Building Width (W):	39 ft.
Building Length (L):	52 ft.
Eave Height (h _e):	28 ft.
Foundation Height (h _f):	0 ft.
Roof Pitch:	1 /12
Eave Overhang (OH _e):	0 ft.
Gable Overhang (OH _g):	0 ft.

2. Parameters & Coefficients

Topographic Factor (K _{zt}):	1.0
Directionality Factor (K _d):	.85
Roof Angle (θ):	4.76 deg.
Mean Roof Height (h):	28.81 ft.
Ridge Height (h _r):	29.63 ft.
Pos. Internal Pressure (+GC _{pi}):	+0.18
Neg. Internal Pressure (-GC _{pi}):	-0.18
Velocity Pressure Exp. Coeff. (K _h):	0.97 @ z=h
Velocity Pressure (q _h):	25.64 psf
End Zone Width (a):	3.00 ft.
Zone 2/2E Dist.:	19.50 ft.

3. Design Assumptions and Notes

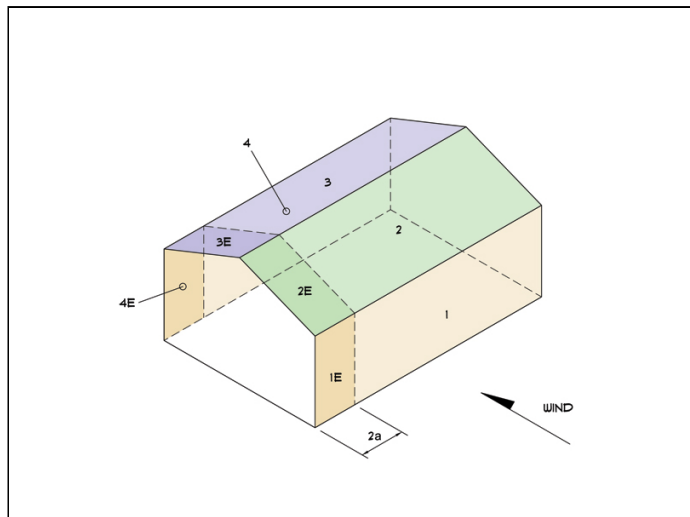
Code Standard:	ASCE 7-10
Geometry:	Regular-Shaped Bldg.
Height Class:	Low-Rise Building
Notes:	

4. Design Loads

Top Chord Dead Load:	7 psf
Bottom Chord Dead Load:	10 psf
Truss/Rafter Spacing:	24 in. o/c

4. Design Wind Pressures: MWFRS Envelope Procedure

Load Case A: Transverse Direction			
Surface	GC _{pf}	Design Pressure (psf)	
		(w/ +GC _{pi})	(w/ -GC _{pi})
1	0.40	5.64	14.87
2	-0.69	-22.31	-13.08
3	-0.37	-14.10	-4.87
4	-0.29	-12.05	-2.82
1E	0.61	11.03	20.26
2E	-1.07	-32.05	-22.82
3E	-0.53	-18.21	-8.98
4E	-0.43	-15.64	-6.41



- a) (+) and (-) signs signify wind pressures acting toward & away from surfaces.
- b) External Pressure Coefficients linearly interpolated from Fig. 28.4-1 ASCE 7-10.
- c) Design building for all wind directions, 4 load patterns per load case.
- d) Total horizontal shear shall not be less than that by neglecting roof wind forces.
- e) Min. wind load for enclosed or partially enclosed bldg.: 16 psf wall, 8 psf roof.
- f) Design pressures are for strength design, multiply by 0.6 for ASD.

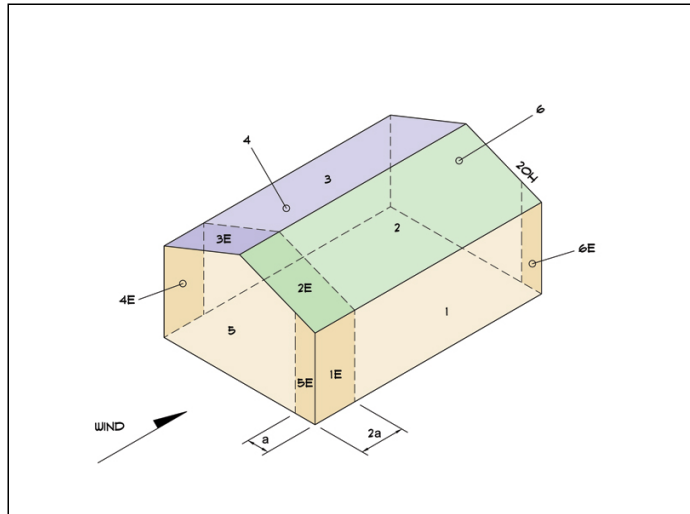
Subject Wind Loads	Customer	Location 1102 34th St. Bakersfield	Job No. 40720
Engr. Engineer Name	ENGINEERING COMPANY INC.		Rev. -
Date 7/22/2024	Street Address City, CA 99999 ph. (800) 000-0000 www.website.com		Page 1



This report may not be copied, reproduced or distributed without the written consent of Engineering Company Inc.

Load Case B: Longitudinal Direction

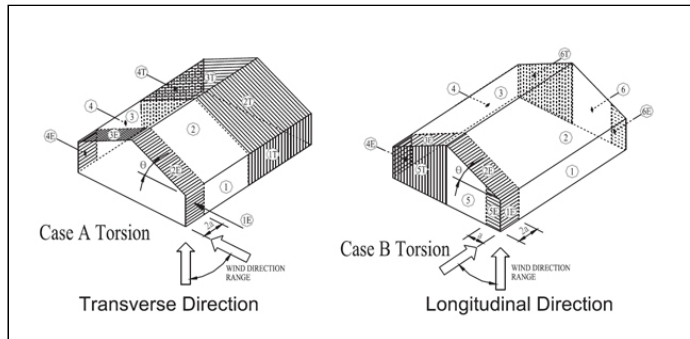
Surface	GCpf	Design Pressure (psf)	
		(w/ +GCpi)	(w/ -GCpi)
1	-0.45	-16.16	-6.92
2	-0.69	-22.31	-13.08
3	-0.37	-14.10	-4.87
4	-0.45	-16.16	-6.92
5	0.40	5.64	14.87
6	-0.29	-12.05	-2.82
1E	-0.48	-16.92	-7.69
2E	-1.07	-32.05	-22.82
3E	-0.53	-18.21	-8.98
4E	-0.48	-16.92	-7.69
5E	0.61	11.03	20.26
6E	-0.43	-15.64	-6.41



- a) (+) and (-) signs signify wind pressures acting toward & away from surfaces.
- b) External Pressure Coefficients linearly interpolated from Fig. 28.4-1 ASCE 7-10.
- c) Design building for all wind directions, 4 load patterns per load case.
- d) Total horizontal shear shall not be less than that by neglecting roof wind forces.
- e) Min. wind load for enclosed or partially enclosed bldg.: 16 psf wall, 8 psf roof.
- f) Design pressures are for strength design, multiply by 0.6 for ASD.

Torsional Load Cases

Surface	Load Case	GCpf	Design Pressure (psf)	
			(w/ +GCpi)	(w/ -GCpi)
1T	A	-	1.41	3.72
2T	A	-	-5.58	-3.27
3T	A	-	-3.53	-1.22
4T	A	-	-3.01	-0.71
5T	B	-	1.41	3.72
6T	B	-	-3.01	-0.71



- a) (+) and (-) signs signify wind pressures acting toward & away from surfaces.
- b) Pressures designated with a "T" are 25% of full design wind pressures.
- c) Torsional loading shall apply to all 8 load patterns using the figures shown.
- d) Design pressures are for strength design, multiply by 0.6 for ASD.
- e) Torsional Design Exceptions: One story bldg. with $h \leq 30$ ft,
Two stories or less framed with light frame construction,
Two stories or less with flexible diaphragms.

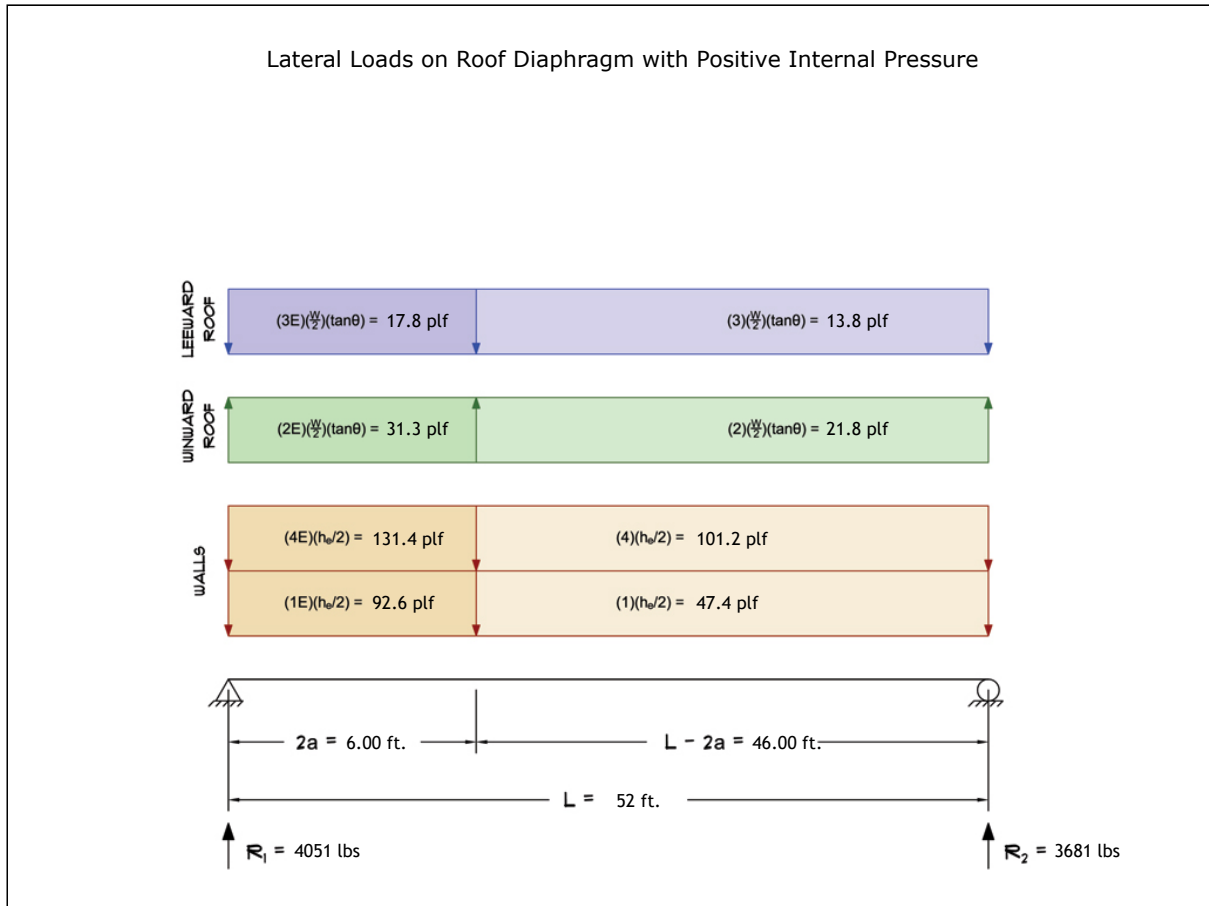
Subject Wind Loads	Customer	Location 1102 34th St. Bakersfield	Job No. 40720
Engr. Engineer Name	ENGINEERING COMPANY INC.		Rev. -
Date 7/22/2024	Street Address City, CA 99999 ph. (800) 000-0000 www.website.com		Page 2



This report may not be copied, reproduced or distributed without the written consent of Engineering Company Inc.

5. Wind Load Calculations

1.) Lateral Loads - Transverse Direction:



- a) (-) signs signify wind lateral forces acting opposite to the direction of the arrows shown.
 b) Strength design values multiplied by 0.6 to obtain ASD values.

Wind Base Shear (ASD)						
Load Case A: Transverse Direction						
Load Case	Walls (lbs)	Roof (lbs)	Roof Overhangs (lbs)	Total Lateral Load (lbs)	R ₁ (lbs)	R ₂ (lbs)
Positive Internal Pressure	8181	-449	0	7732	4051	3681
Negative Internal Pressure	8181	-449	0	7732	4051	3681
Roof Pressure = 0	8181	0	0	8181	4291	3890
Min. Pressures (8 psf, 16 psf)	6989	406	0	7394	3697	3697

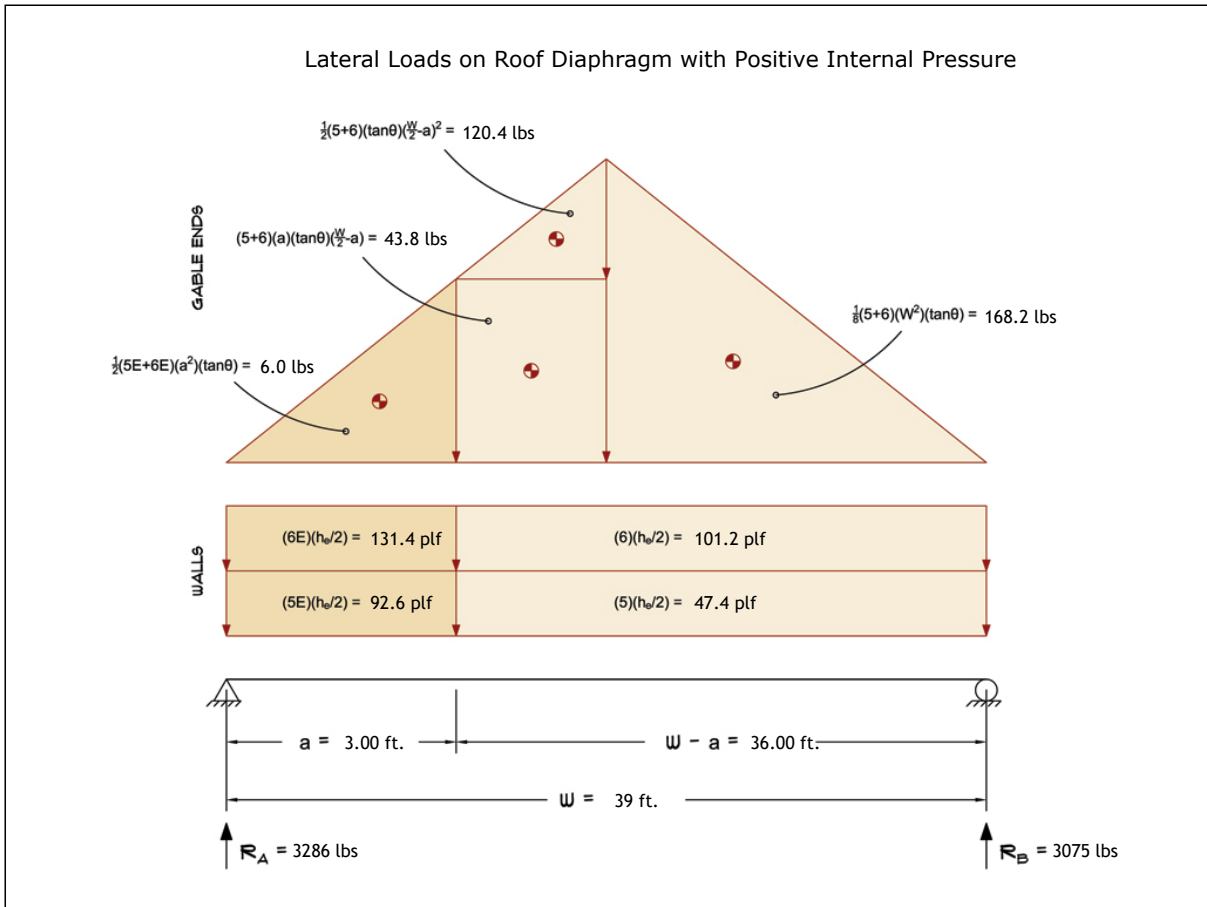
- a) Bottom half of wall neglected in tributary area calculations.
 b) Strength design values multiplied by 0.6 to obtain ASD values.

Subject	Customer	Location	Job No.
Wind Loads		1102 34th St. Bakersfield	40720
Engr.	ENGINEERING COMPANY INC.		Rev.
	Street Address City, CA 99999		-
Date	ph. (800) 000-0000 www.website.com		Page
7/22/2024			3



This report may not be copied, reproduced or distributed without the written consent of Engineering Company Inc.

2.) Lateral Loads - Longitudinal Direction:



- a) (-) signs signify wind lateral forces acting opposite to the direction of the arrows shown.
- b) Strength design values multiplied by 0.6 to obtain ASD values.
- c) Where the length of building (L) exceeds 4X the mean roof height (h), wind drag forces should additionally be considered.

Wind Base Shear (ASD)						
Load Case B: Longitudinal Direction						
Load Case	Walls (lbs)	Gable Ends (lbs)	Roof (lbs)	Total Lateral Load (lbs)	R _A (lbs)	R _B (lbs)
Positive Internal Pressure	6023	338	0	6361	3286	3075
Negative Internal Pressure	6023	338	0	6361	3286	3075
Roof Pressure = 0	6023	338	0	6361	3286	3075
Min. Pressures (8 psf, 16 psf)	5242	304	0	5546	2773	2773

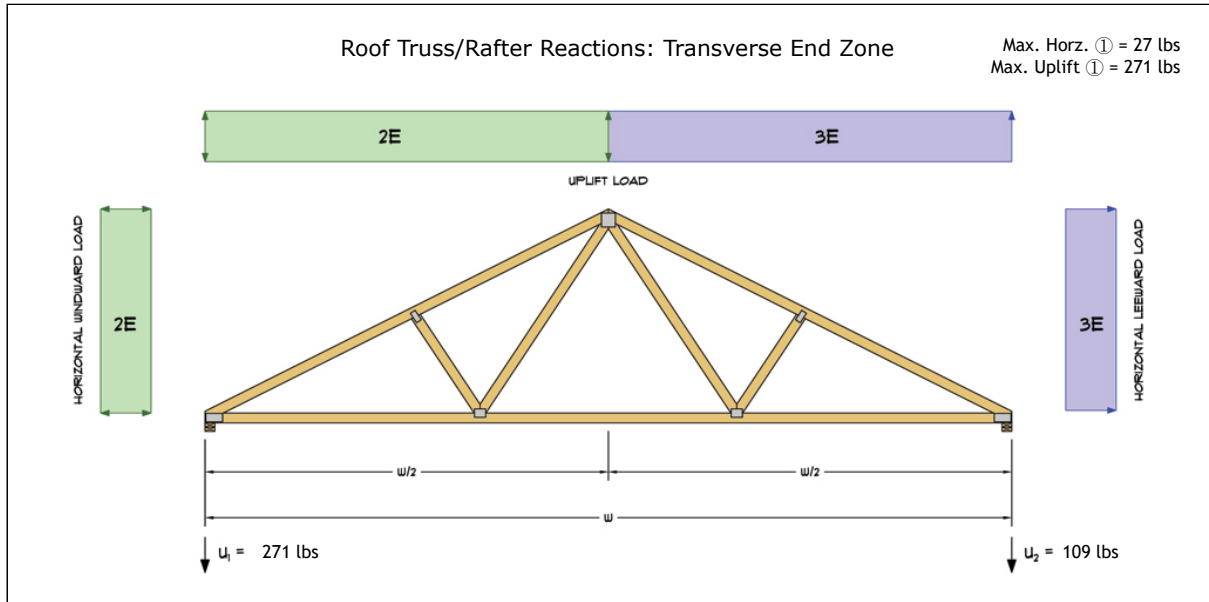
- a) Bottom half of wall neglected in tributary area calculations.
- b) Strength design values multiplied by 0.6 to obtain ASD values.

Subject Wind Loads	Customer	Location 1102 34th St. Bakersfield	Job No. 40720
Engr. Engineer Name	ENGINEERING COMPANY INC. Street Address City, CA 99999 ph. (800) 000-0000 www.website.com		Rev. -
Date 7/22/2024			Page 4

This report may not be copied, reproduced or distributed without the written consent of Engineering Company Inc.

Copyright © 2024

3.) Roof Truss Reactions:



- a) Strength design values multiplied by 0.6 to obtain ASD values.
- b) Windward loads may be positive or negative depending on pitch of roof.

Roof Truss/Rafter Reactions (ASD)					
w/ Positive Internal Pressure					
Load Case	Horizontal Load (lbs)	Gross Uplift (lbs)	Net Uplift (lbs)	U ₁ (lbs)	U ₂ (lbs)
Transverse Int. Zone	16	852	55	76	-20
Transverse End Zone	27	1176	379	271	109
Longitudinal Int. Zone	16	852	55	76	-20
Longitudinal End Zone	27	1176	379	271	109

- a) Gross Uplift calculations do not include any counteracting roof dead loads.
- b) Net Uplift calculations include counteracting roof dead loads multiplied by 0.6 per load case (7) ASCE 7-10.
- c) Strength design values multiplied by 0.6 to obtain ASD values for wind loads.
- d) Loads based on truss spacing calculated at 24" o/c.
- e) Negative values for horizontal load indicate load acting in windward direction (transverse load cases).
- f) Negative values for uplift indicate net downward force (zero uplift).

*Disclaimer: The calculations produced herein are for initial design and estimating purposes only. The calculations and drawings presented do not constitute a fully engineered design. All of the potential load cases required to fully design an actual structure may not be provided by this calculator. For the design of an actual structure, a registered and licensed professional should be consulted as per IRC 2012 Sec. R802.10.2 and designed according to the minimum requirements of ASCE 7-10. The wind load calculations provided by this online tool are for educational and illustrative purposes only. Medeek Design assumes no liability or loss for any designs presented and does not guarantee fitness for use.

Subject Wind Loads	Customer	Location 1102 34th St. Bakersfield	Job No. 40720
Engr. Engineer Name	ENGINEERING COMPANY INC. Street Address City, CA 99999 ph. (800) 000-0000 www.website.com		Rev. -
Date 7/22/2024			This report may not be copied, reproduced or distributed without the written consent of Engineering Company Inc.

Copyright © 2024