



**MEDEEK DESIGN**  
INC.  
4035 STATE ST. HANCOCK, MI 49931  
PH: 231.831.1515 FAX: 231.831.1583  
DESIGN@MEDEEK.COM

PLAN NO. **SHOP4824-A6DB**  
SCALE 1/4" = 1'-0"

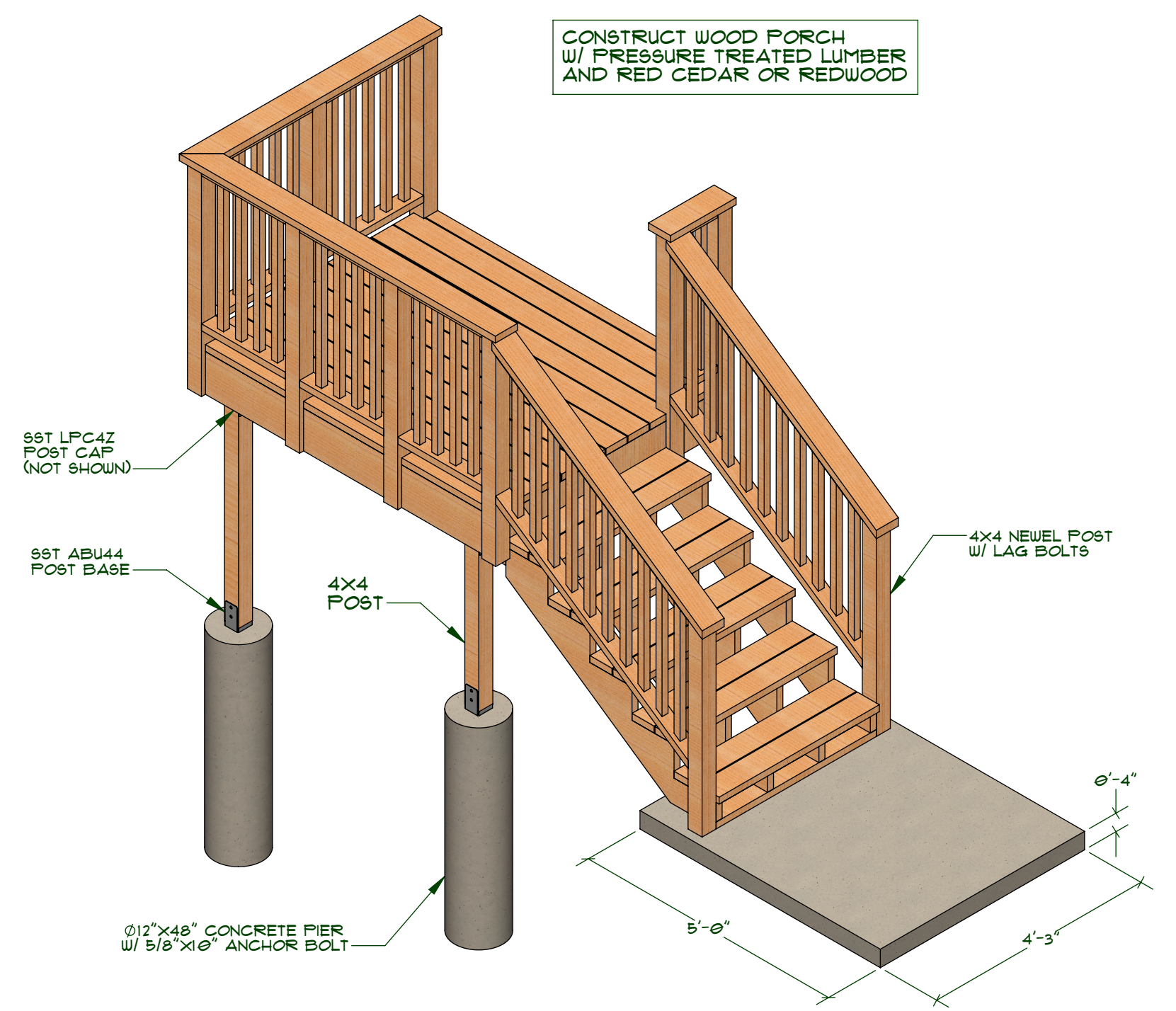
DESIGNED BY: **NFW**  
DATE: **5/1/2012**

SHEET CONTENTS: **STAIRS & PORCH PLANS**

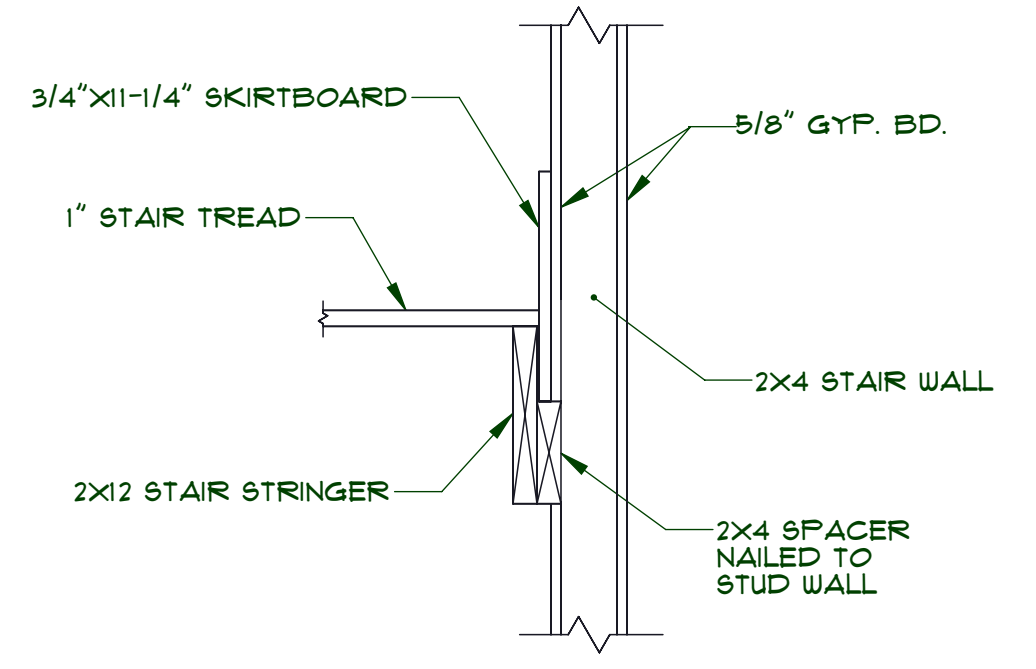
REVISION HISTORY:	

CUSTOMER: \_\_\_\_\_  
LOCATION: \_\_\_\_\_

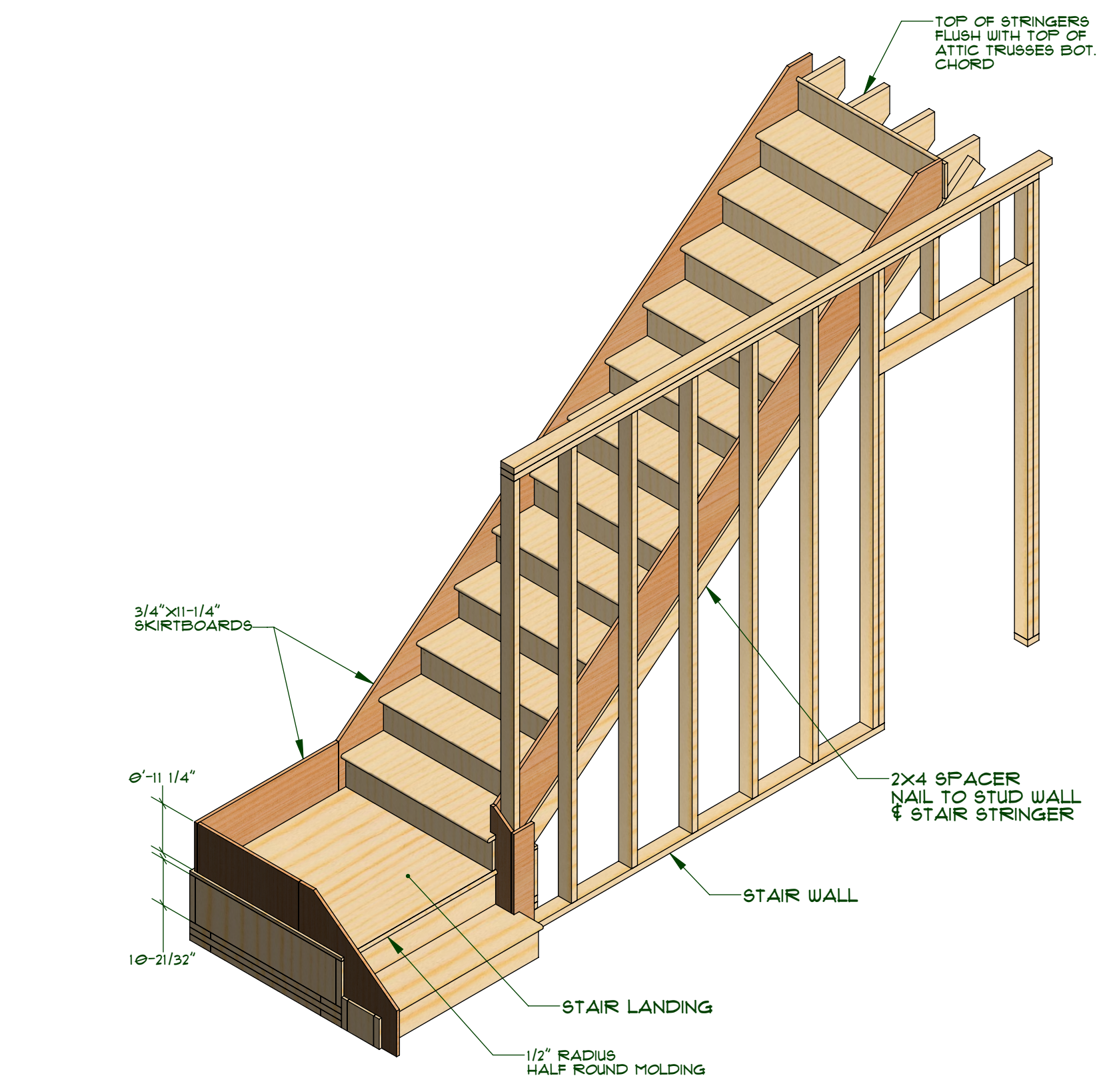
SHEET



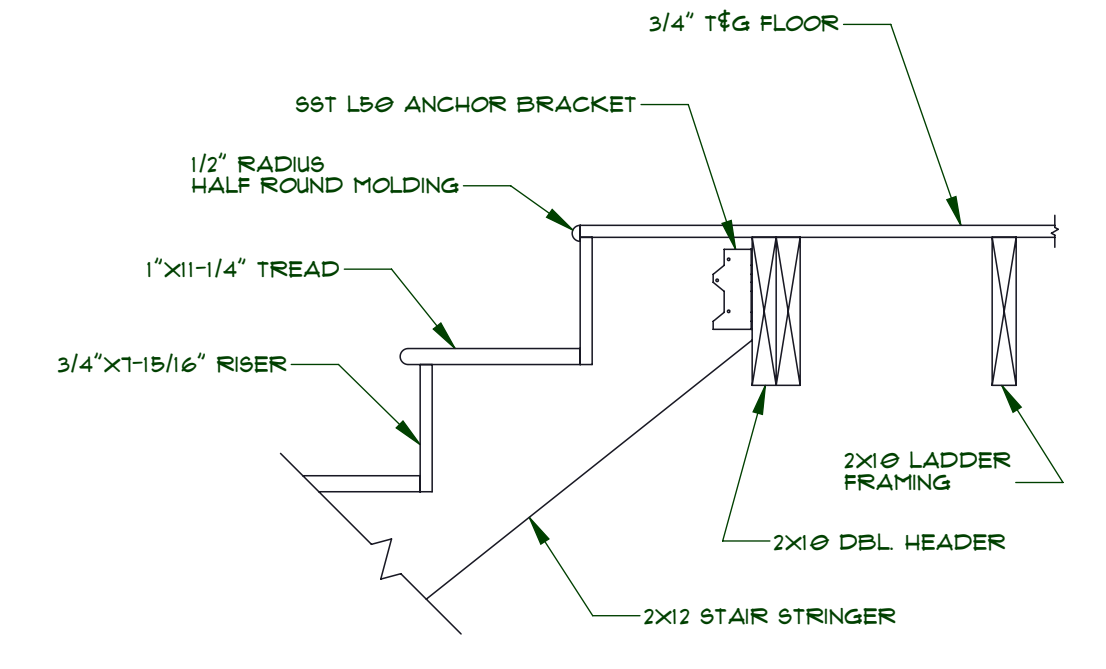
**1 WOOD PORCH ELEVATIONS**  
SCALE: 1/2"=1'-0"



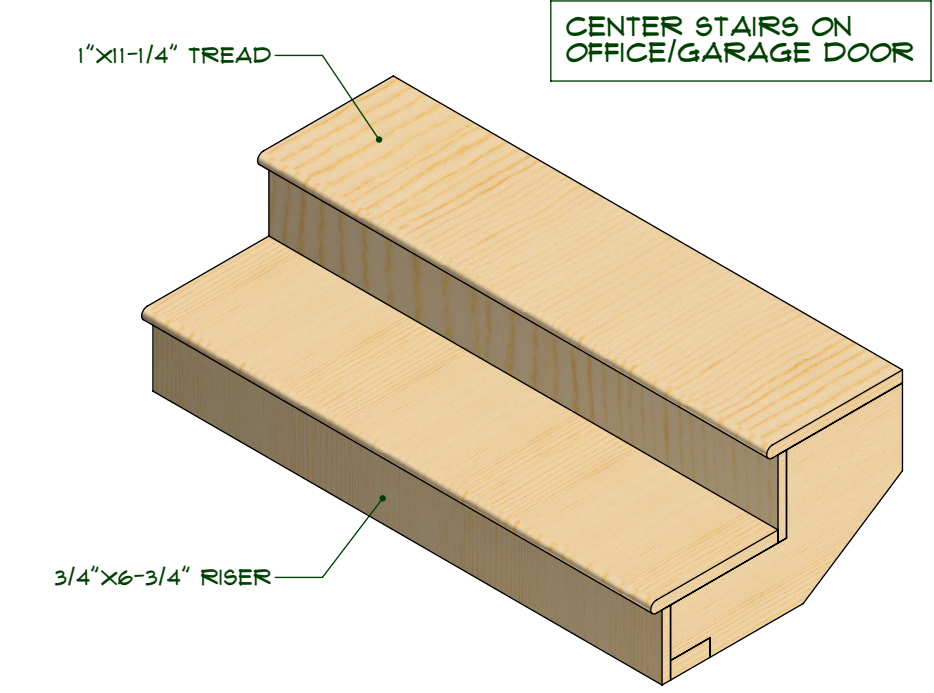
**2 STAIR WALL/STRINGER SECTION**  
SCALE: 1"=1'-0"



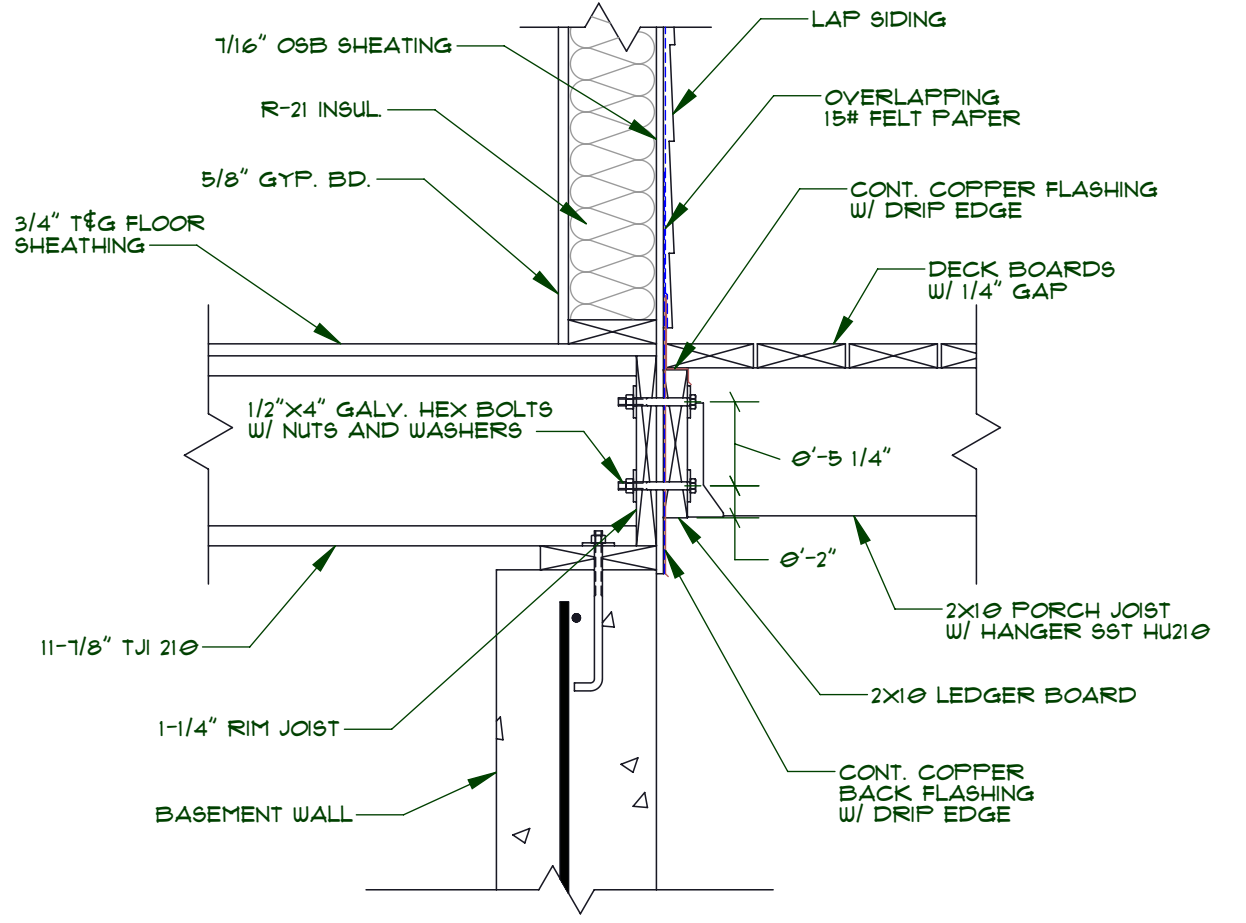
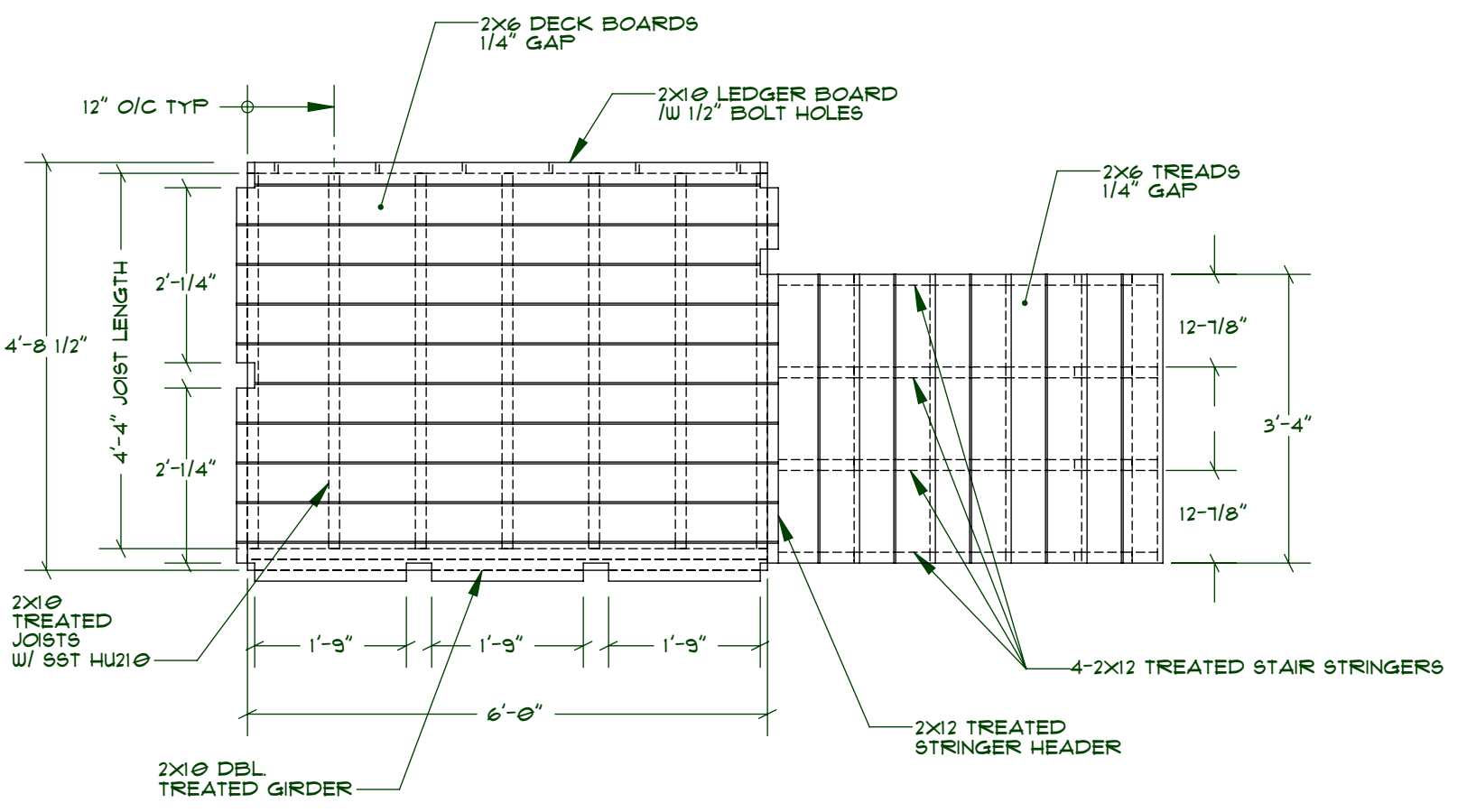
**4 STAIR ELEVATIONS**  
SCALE: 1/2"=1'-0"



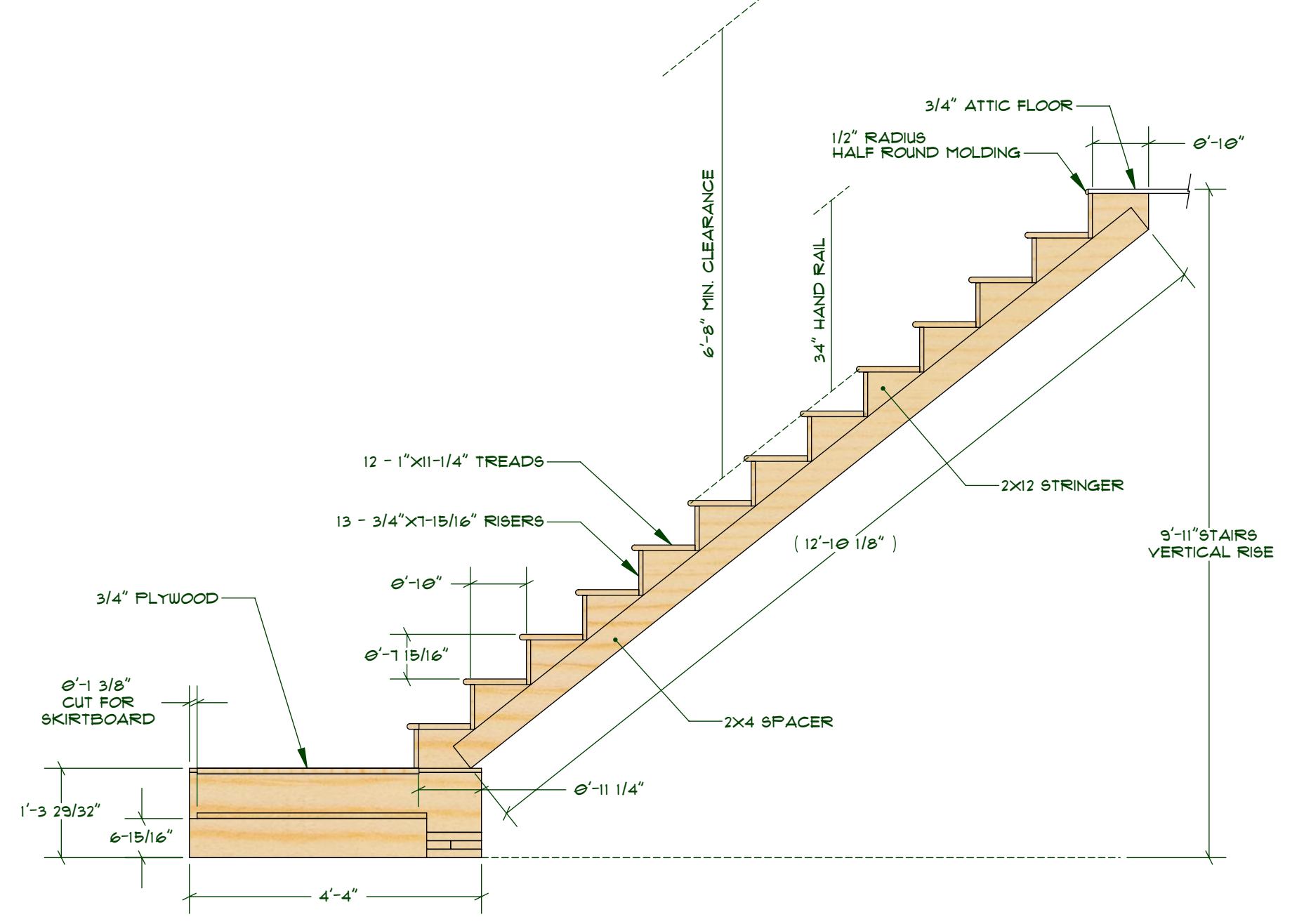
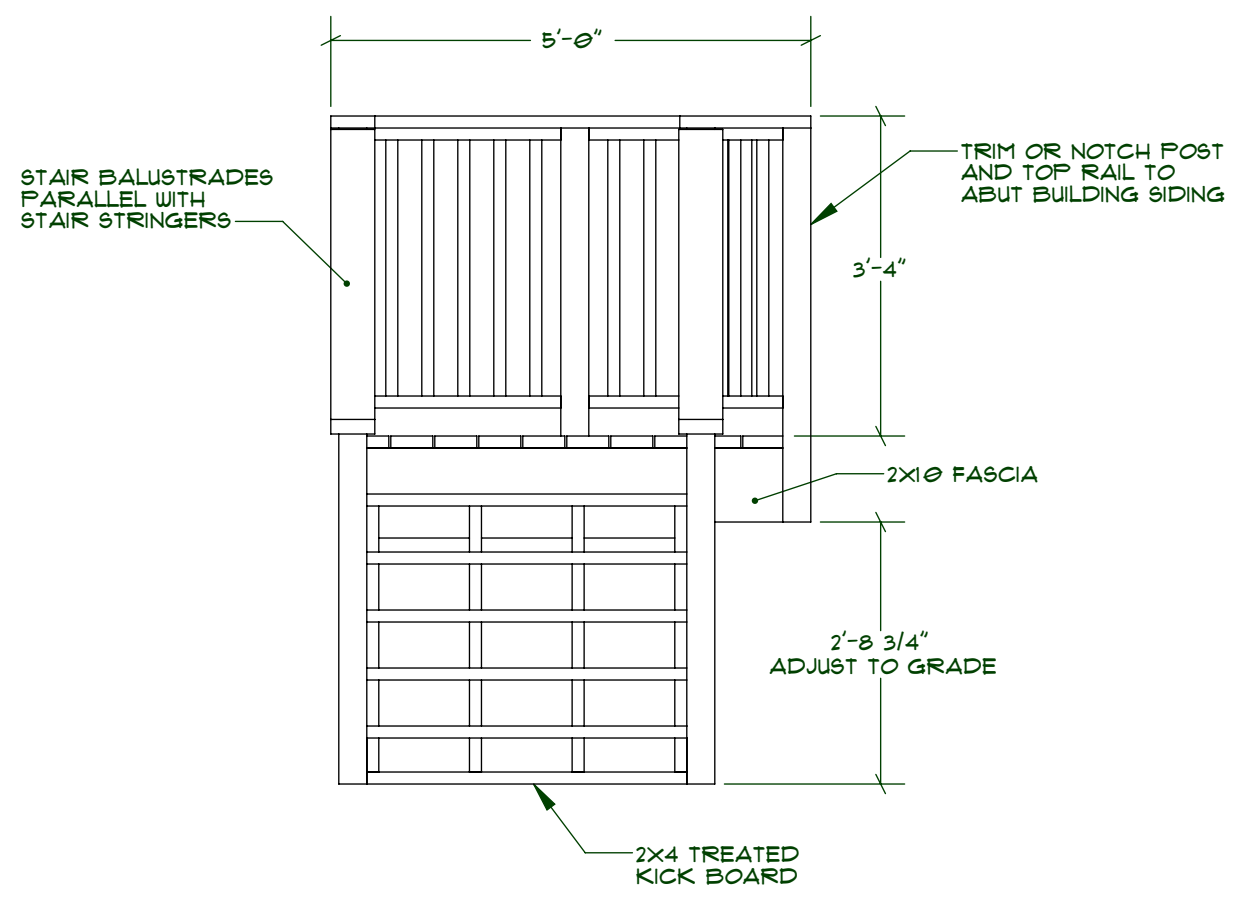
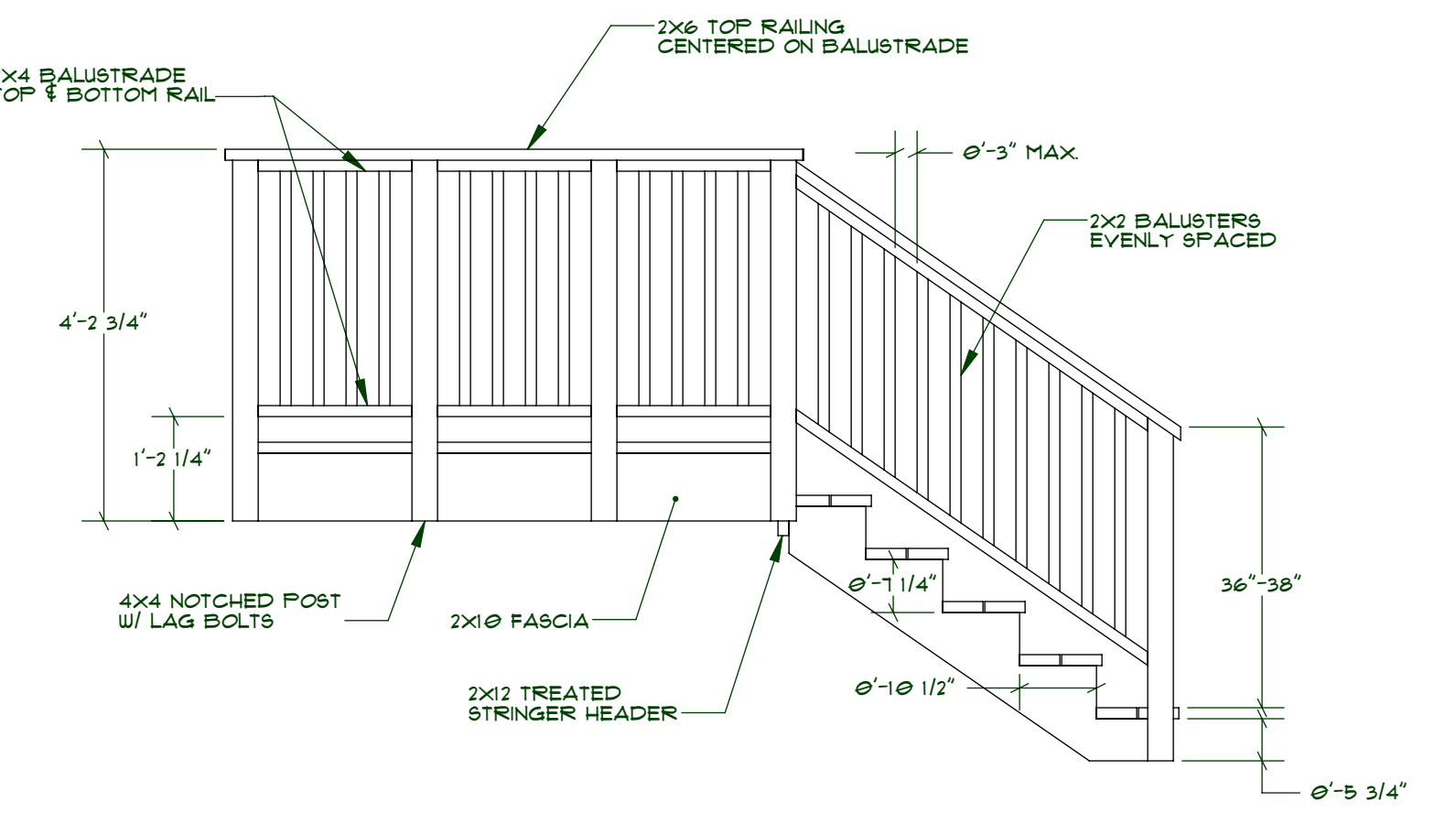
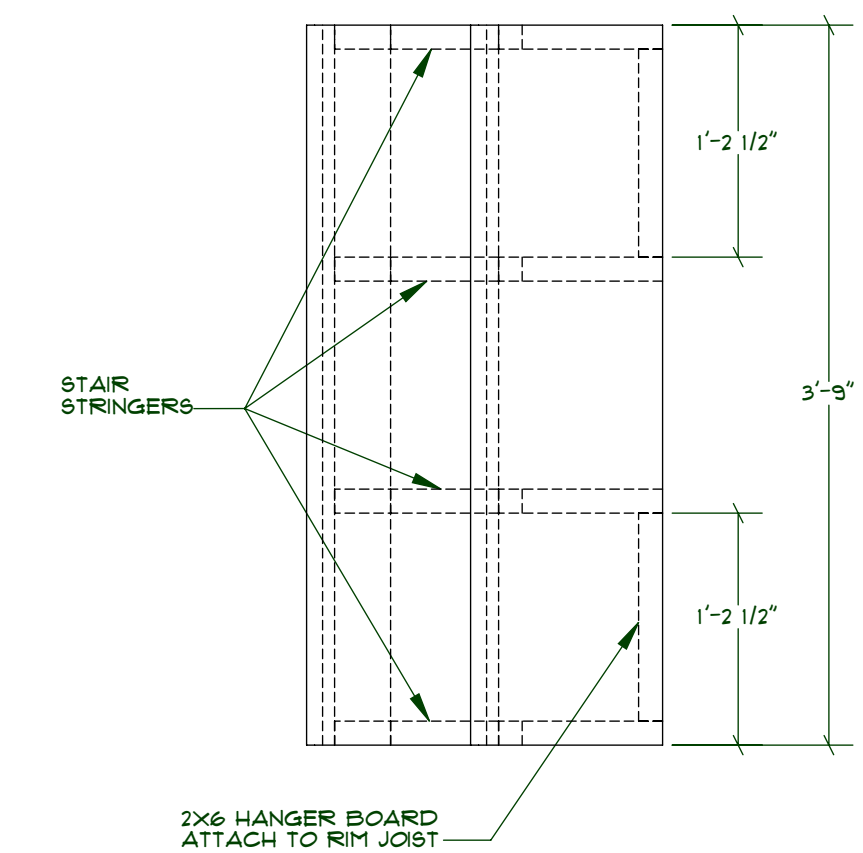
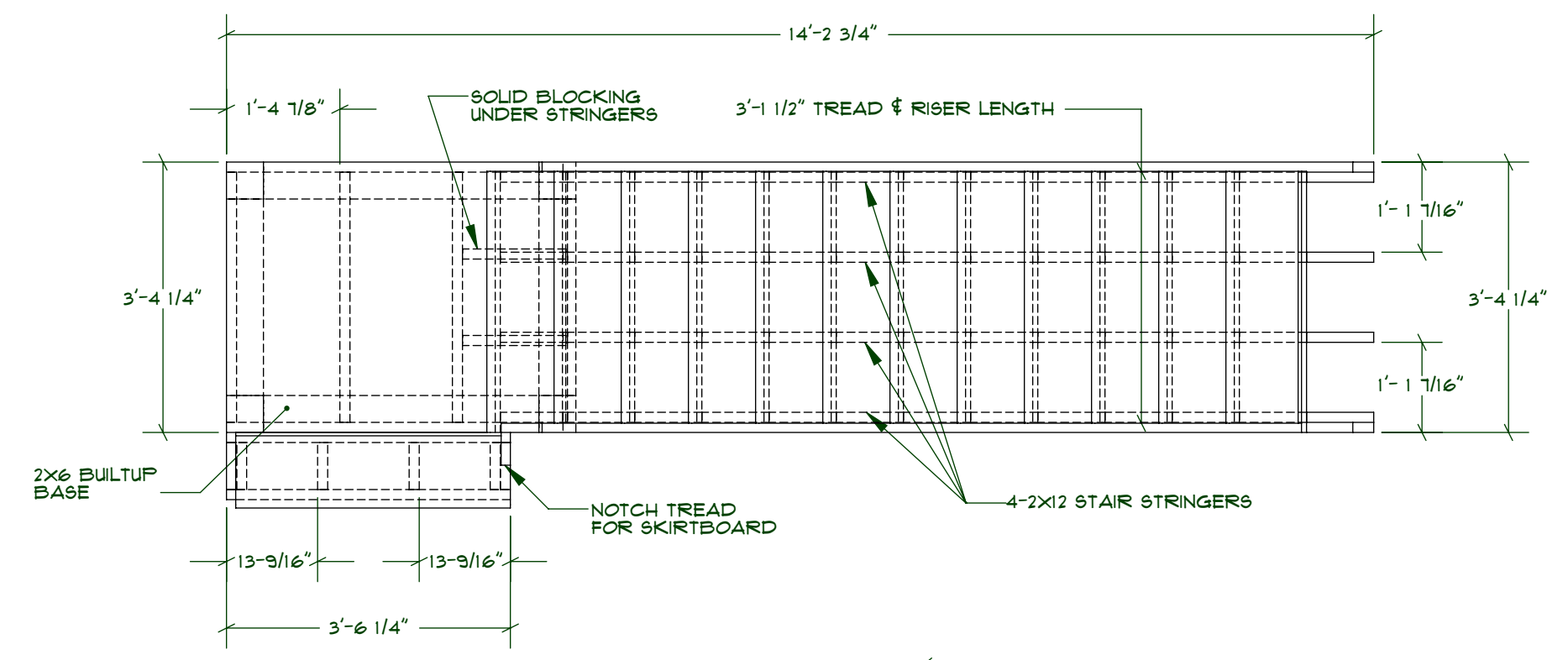
**5 STAIR HEADER SECTION**  
SCALE: 1"=1'-0"



**6 GARAGE STAIR ELEVATIONS**  
SCALE: 1"=1'-0"



**3 PORCH LEDGER DETAIL**  
SCALE: 1"=1'-0"



**STAIR & PORCH FRAMING NOTES:**

1. INSTALL LEDGER BOLTS EVERY BAY ALTERNATING UPPER AND LOWER.
2. ALL EXT. PORCH FASTENERS TO BE GALV. OR STAINLESS STEEL.
3. INSTALL HANDRAILS AS PER LOCAL CODE FOR ALL STAIRS.
4. FOR EXT. PORCH: SUPPORT POSTS, JOISTS, STRINGERS, LEDGERS, GIRDERS AND HEADERS SHOULD ALL BE PRESSURE TREATED.