



MEDEEK DESIGN
INC.
403 SOUTH WASHINGTON AVENUE
P.O. BOX 1130 - CHICAGO, IL 60640
DESIGN@MEDEEK.COM
PHONE: 773.333.3333
FAX: 773.333.3333
© 2012 MEDEEK DESIGN, INC. ALL RIGHTS RESERVED.

PLAN NO. **SHOP 4824-A6DB**
SCALE: 1/4" = 1'-0"
REVISION: A.1.1

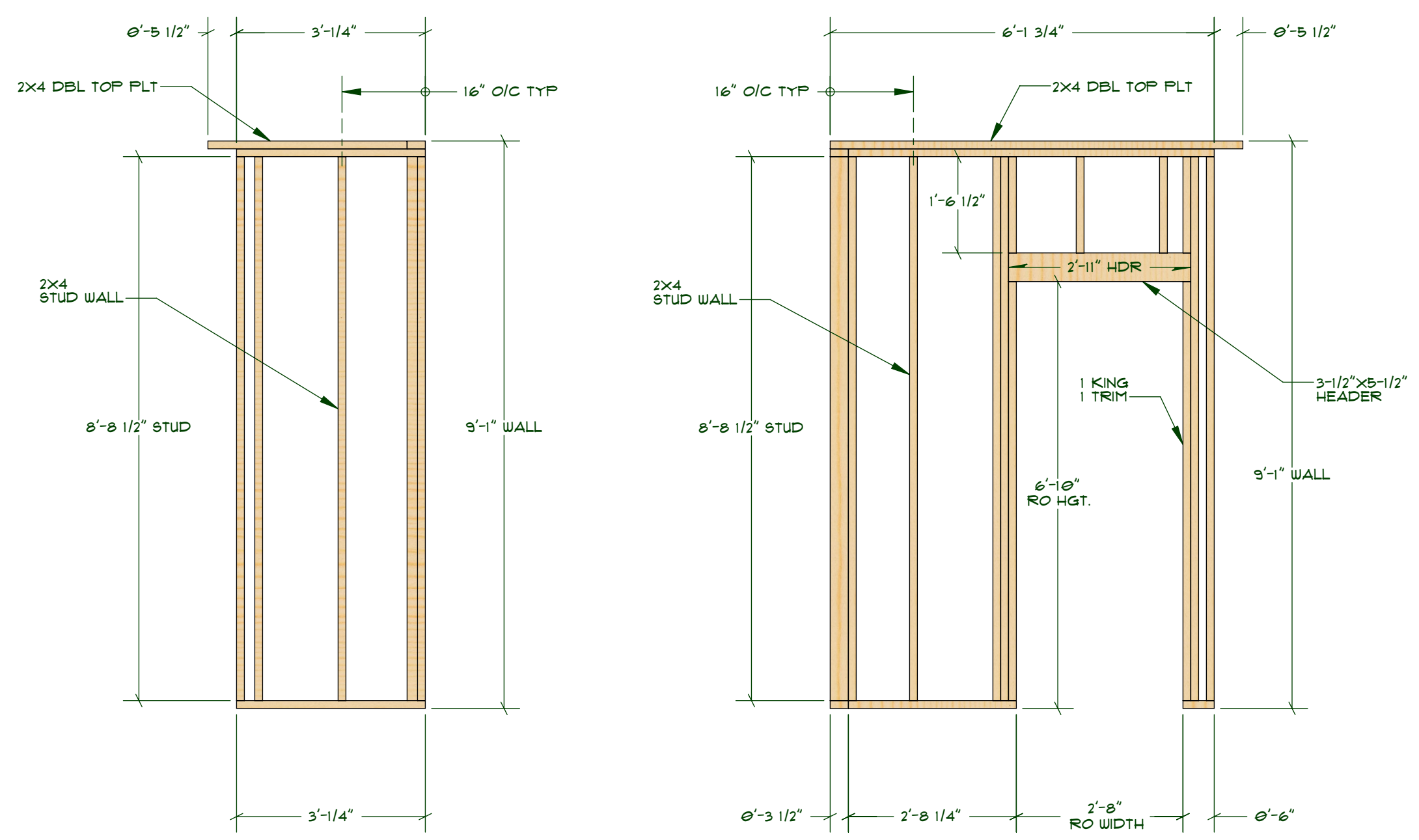
DESIGNED BY: **NFW**
DATE: **4/26/2012**

SHEET CONTENTS:
WALL FRAMING ELEVATIONS (3)

REVISION HISTORY:

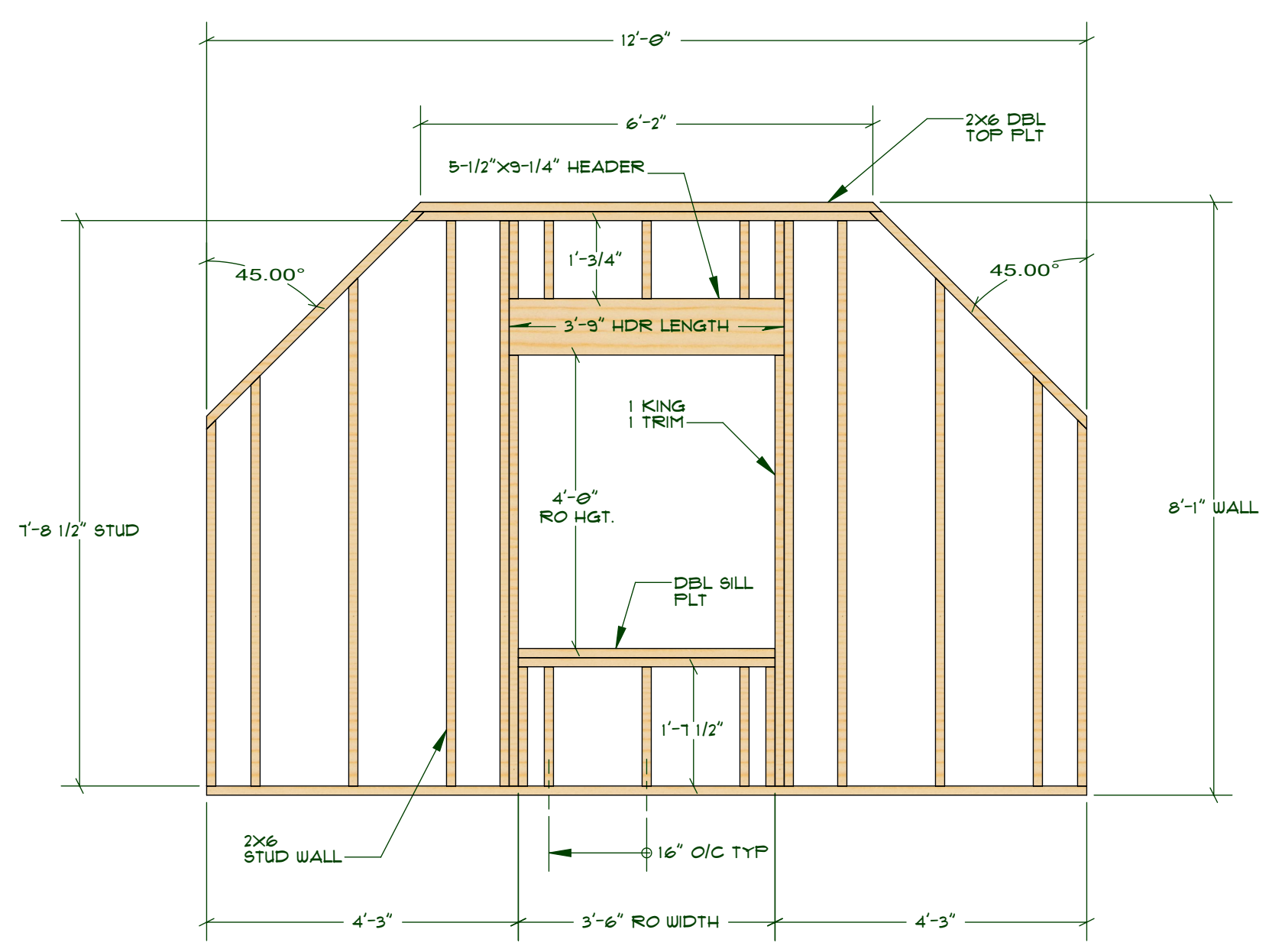
CUSTOMER:
LOCATION:
SHEET

OF **18**



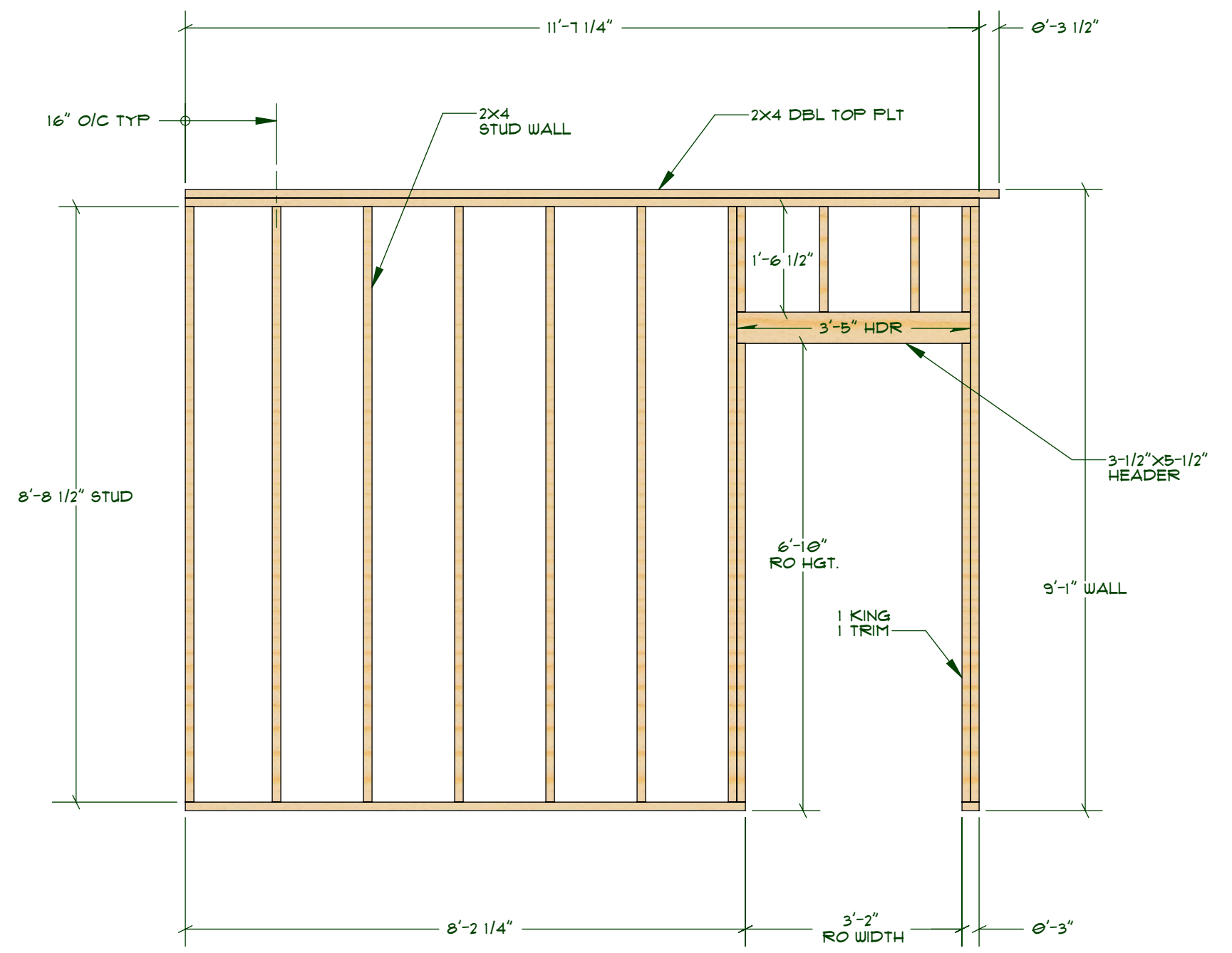
CLOSET WALL FRAMING

SCALE: 1/2" = 1'-0"



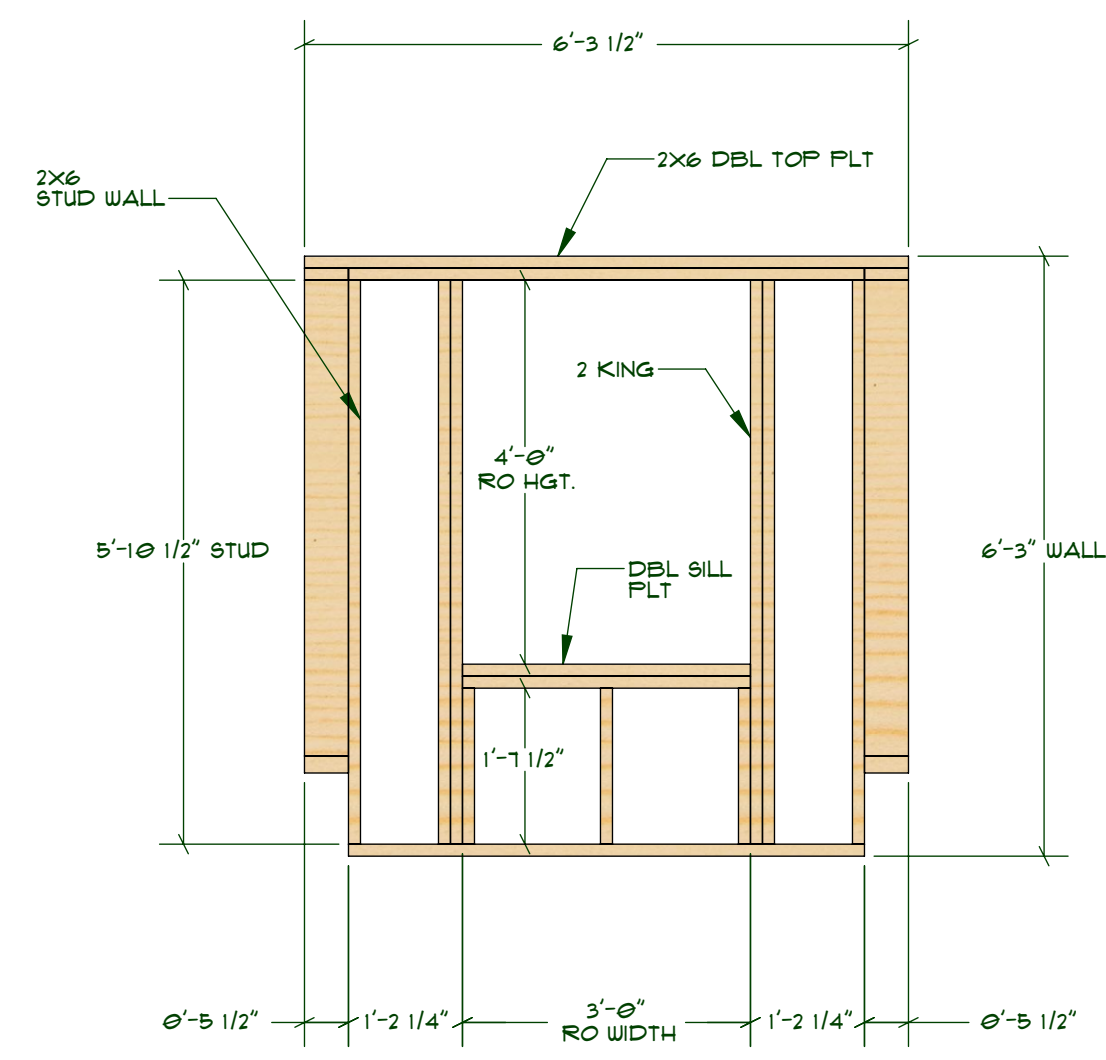
GABLE WALL FRAMING

SCALE: 1/2" = 1'-0"



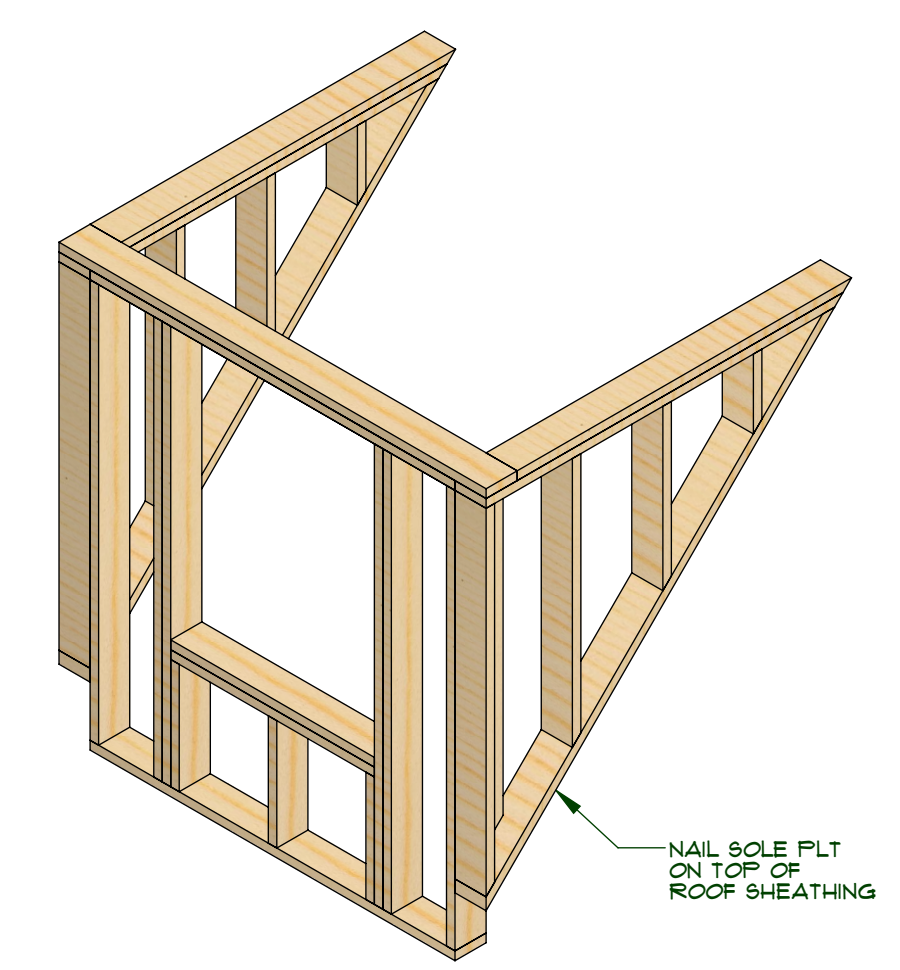
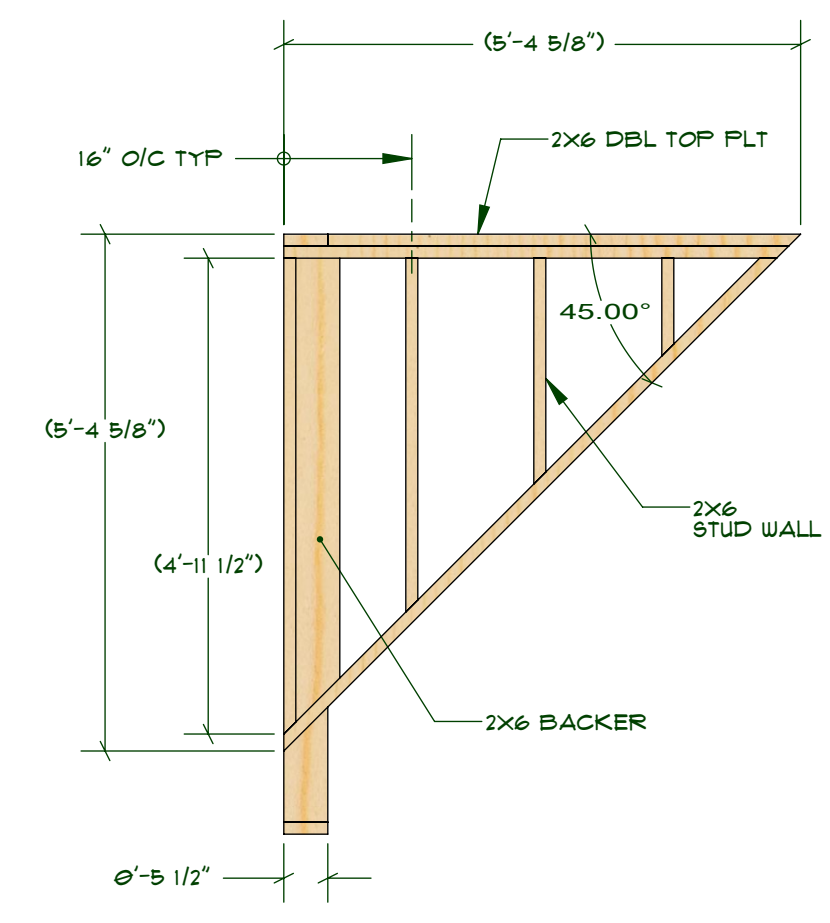
STAIRS WALL FRAMING

SCALE: 1/2" = 1'-0"



DORMER WALL FRAMING

SCALE: 1/2" = 1'-0"



WALL FRAMING NOTES:

1. VERIFY ALL ROUGH OPENING WIDTHS AND HEIGHTS.
2. ALL EXTERIOR WALLS 2X6 STUDS UNLESS OTHERWISE INDICATED.
3. ALL INTERIOR WALL 2X4 STUDS UNLESS OTHERWISE INDICATED.
4. EXT. WALLS 1/2" OSB SHEATHING AND NAILED W/ 8d NAILS @ 6" O/C EDGES AND 12" O/C FIELD.