



MEDEEK DESIGN
INC.
403 SOUTH WASHINGTON BLVD
P.O. BOX 1130 - 04740 W. WASH
DURHAM, NH 03824
TEL: 603-883-1130
WWW.MEDEEKDESIGN.COM

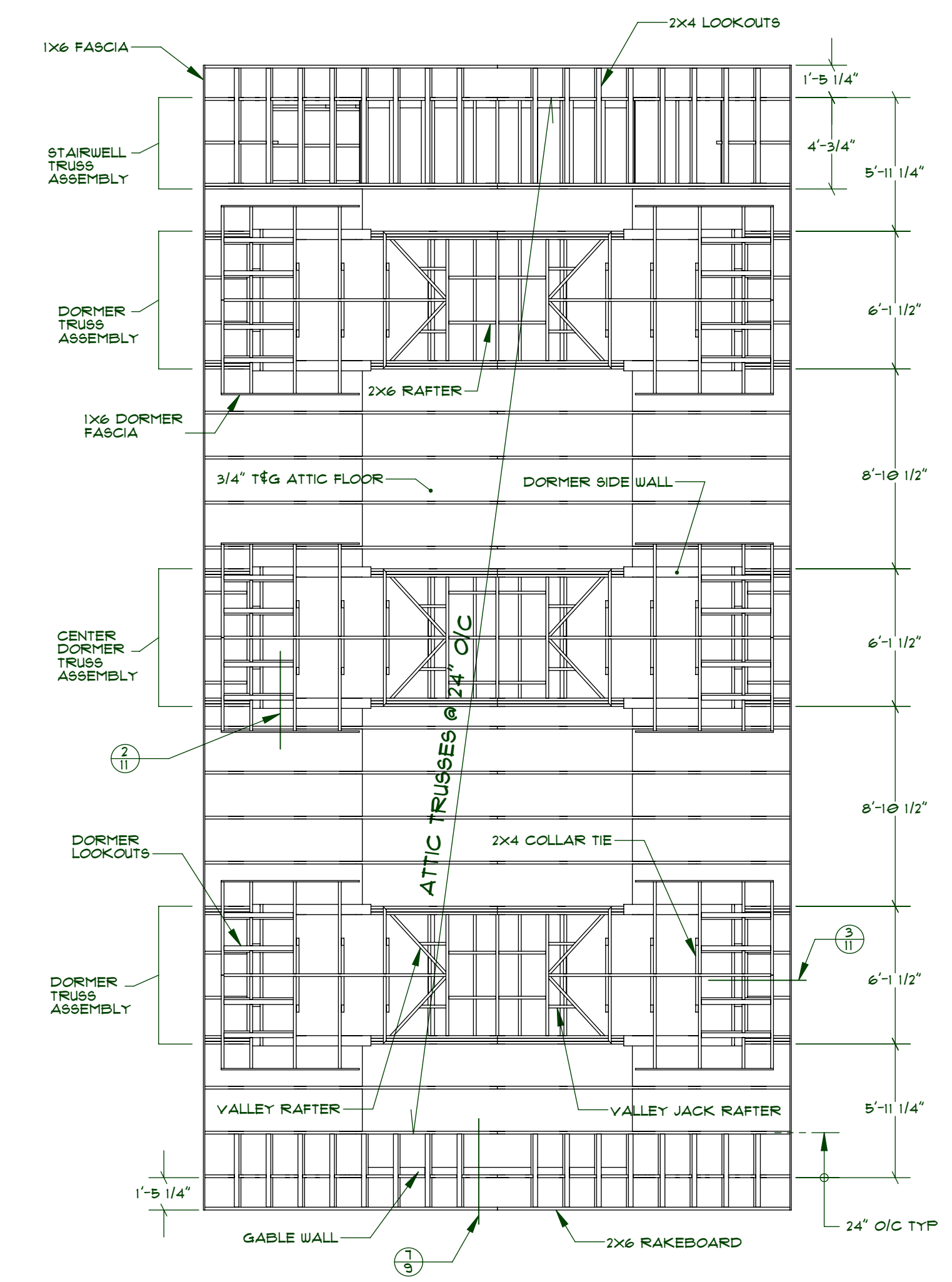
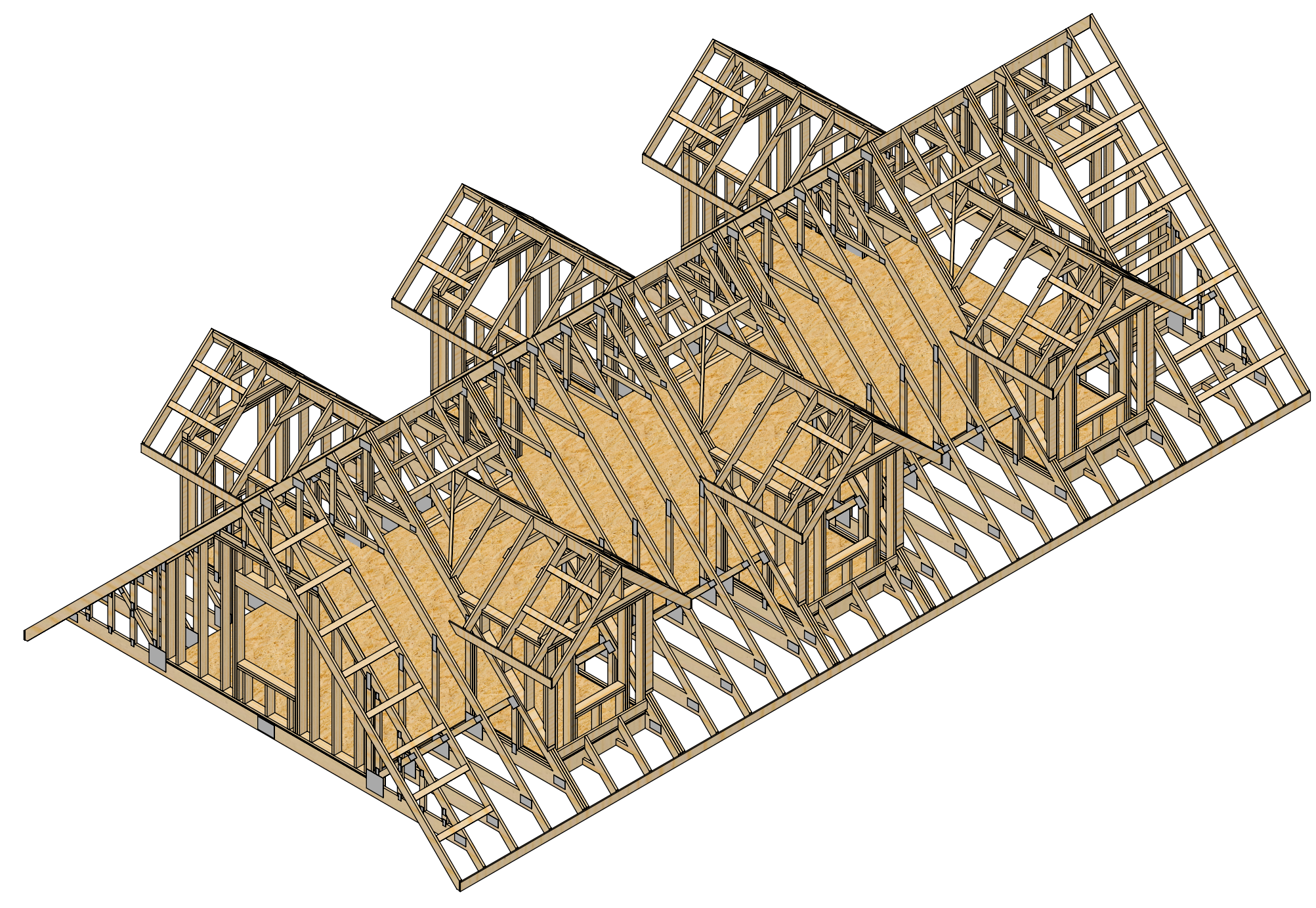
PLAN NO. **SHOP 4824-A6DB**
SCALE: 1/8" = 1'-0"
REVISION: A.1.1

DESIGNED BY: **NFW**
DATE: **3/6/2012**

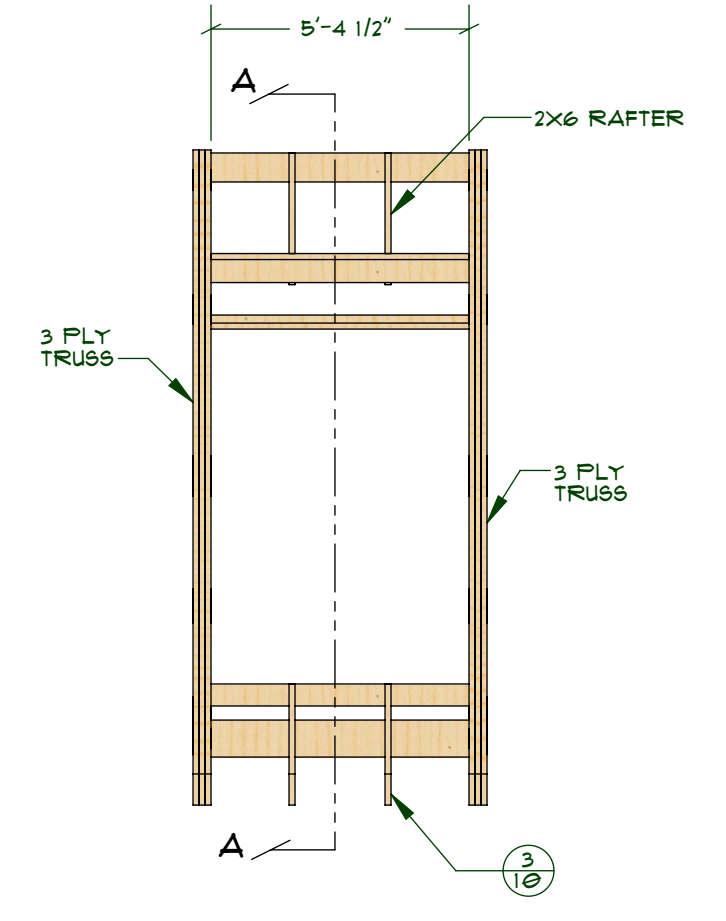
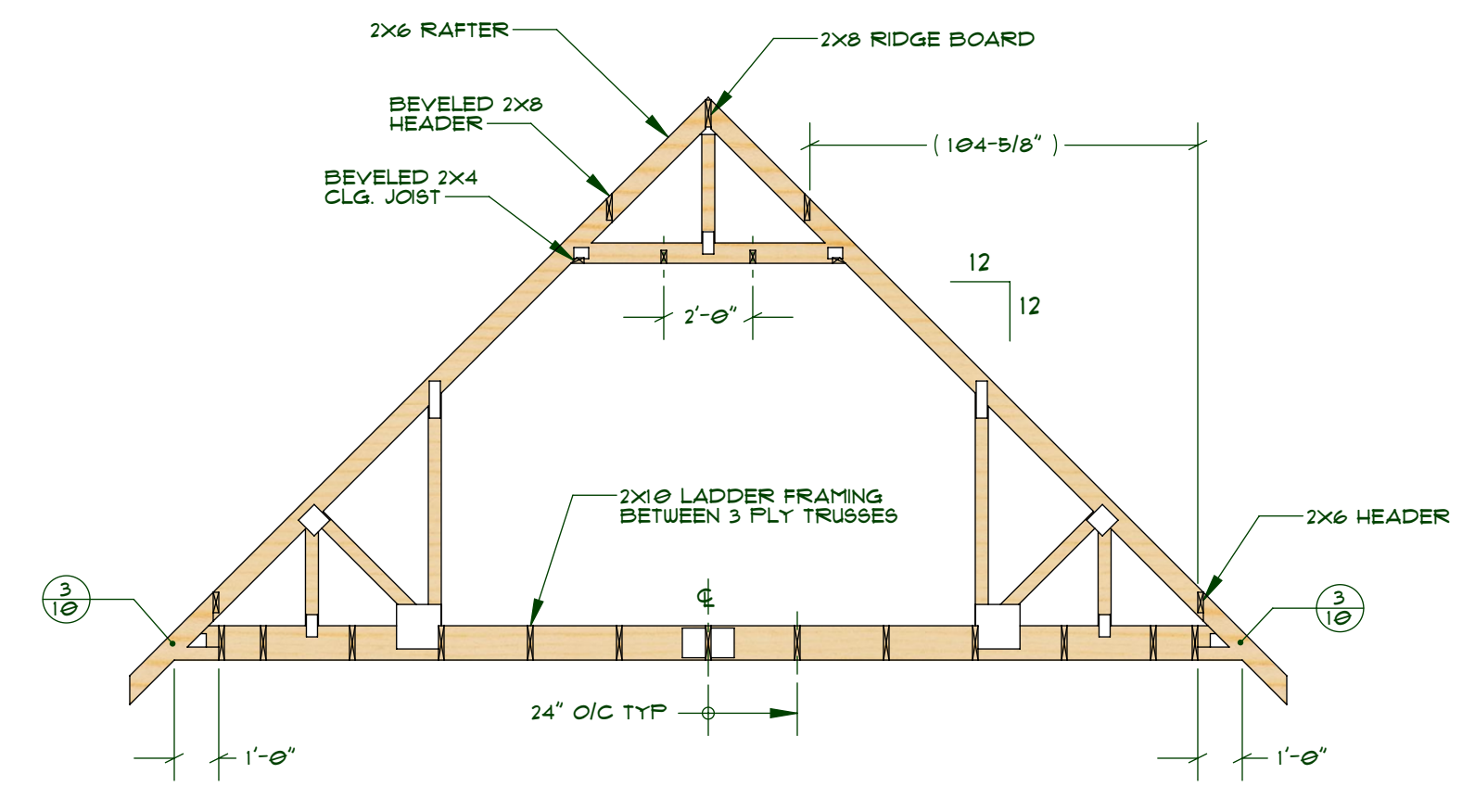
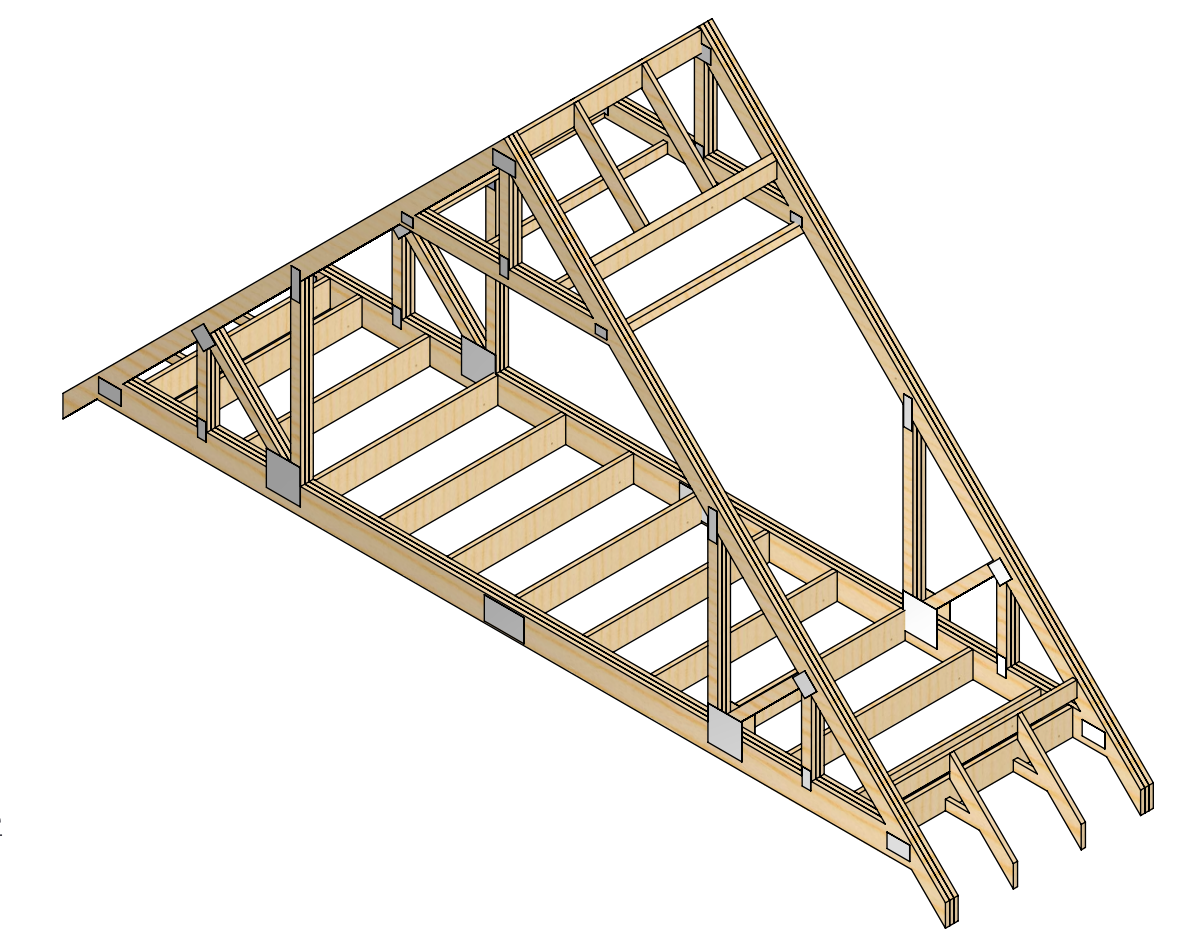
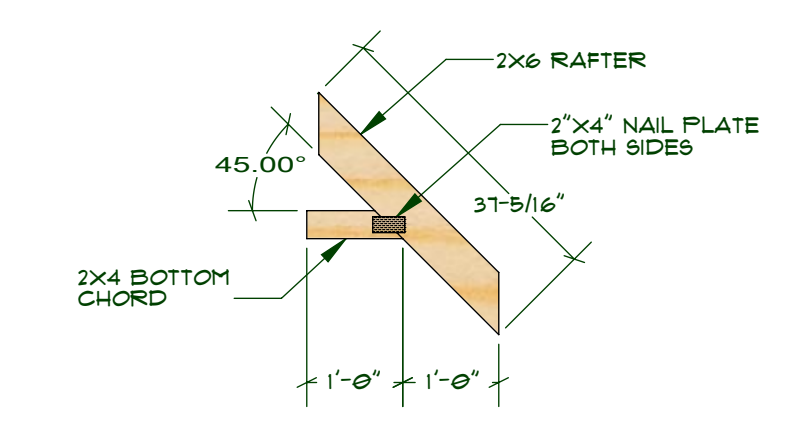
SHEET CONTENTS:
ROOF FRAMING PLAN

REVISION HISTORY:	

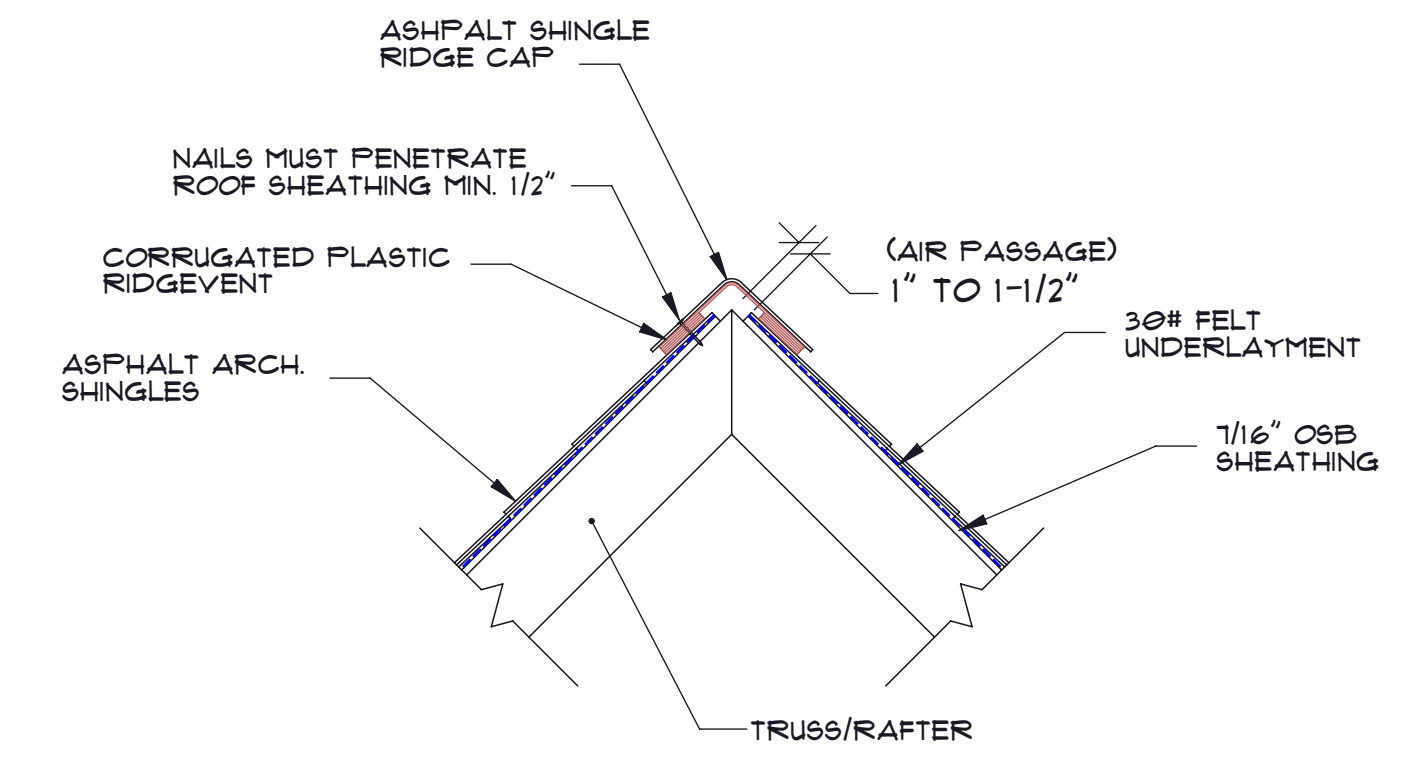
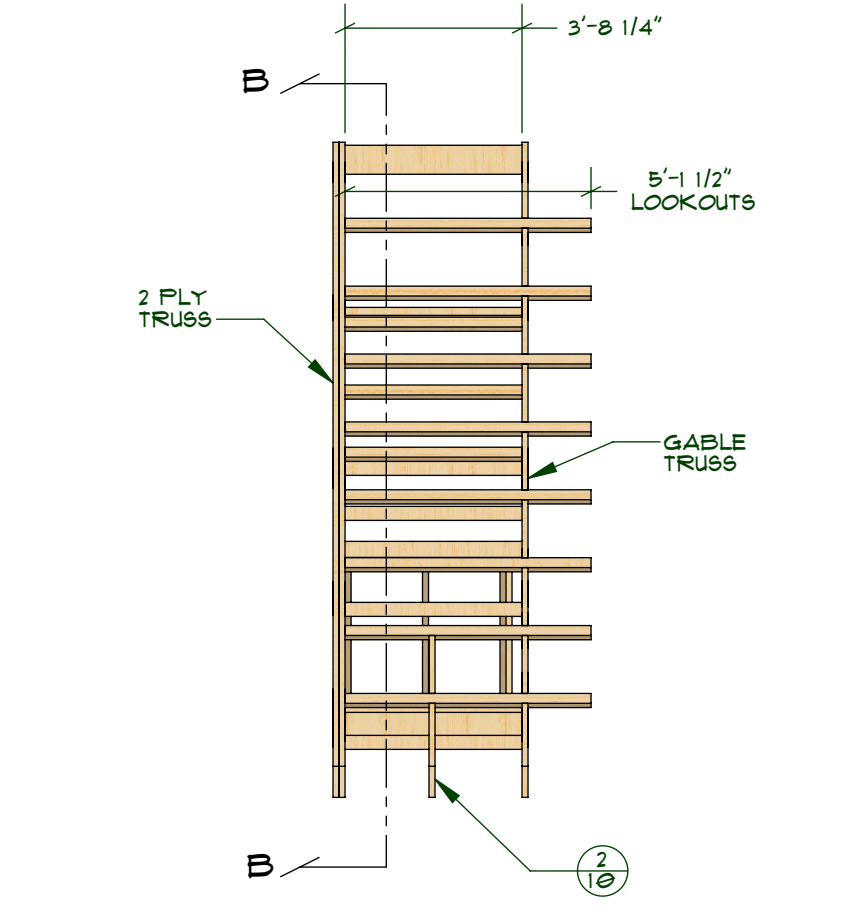
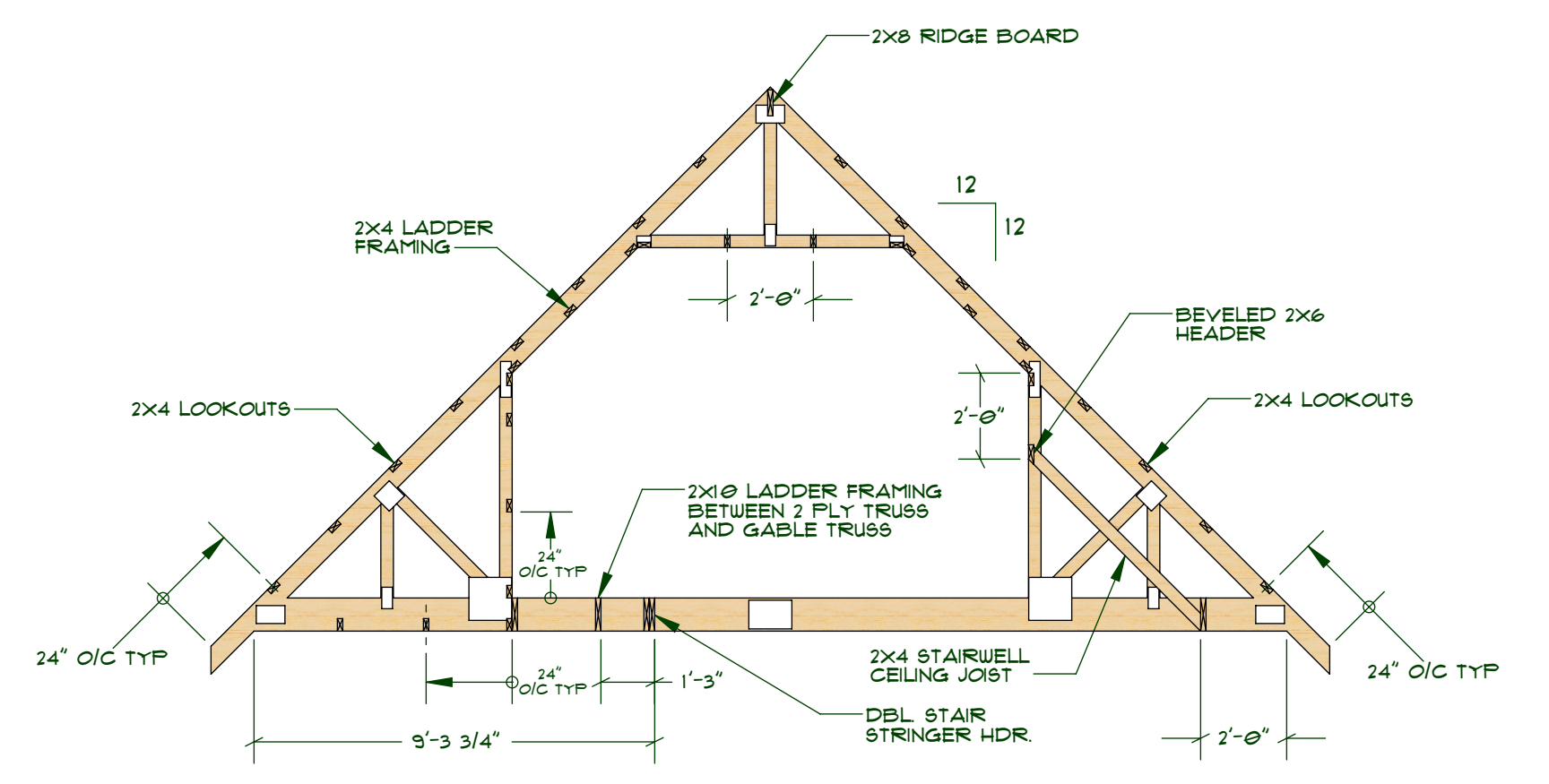
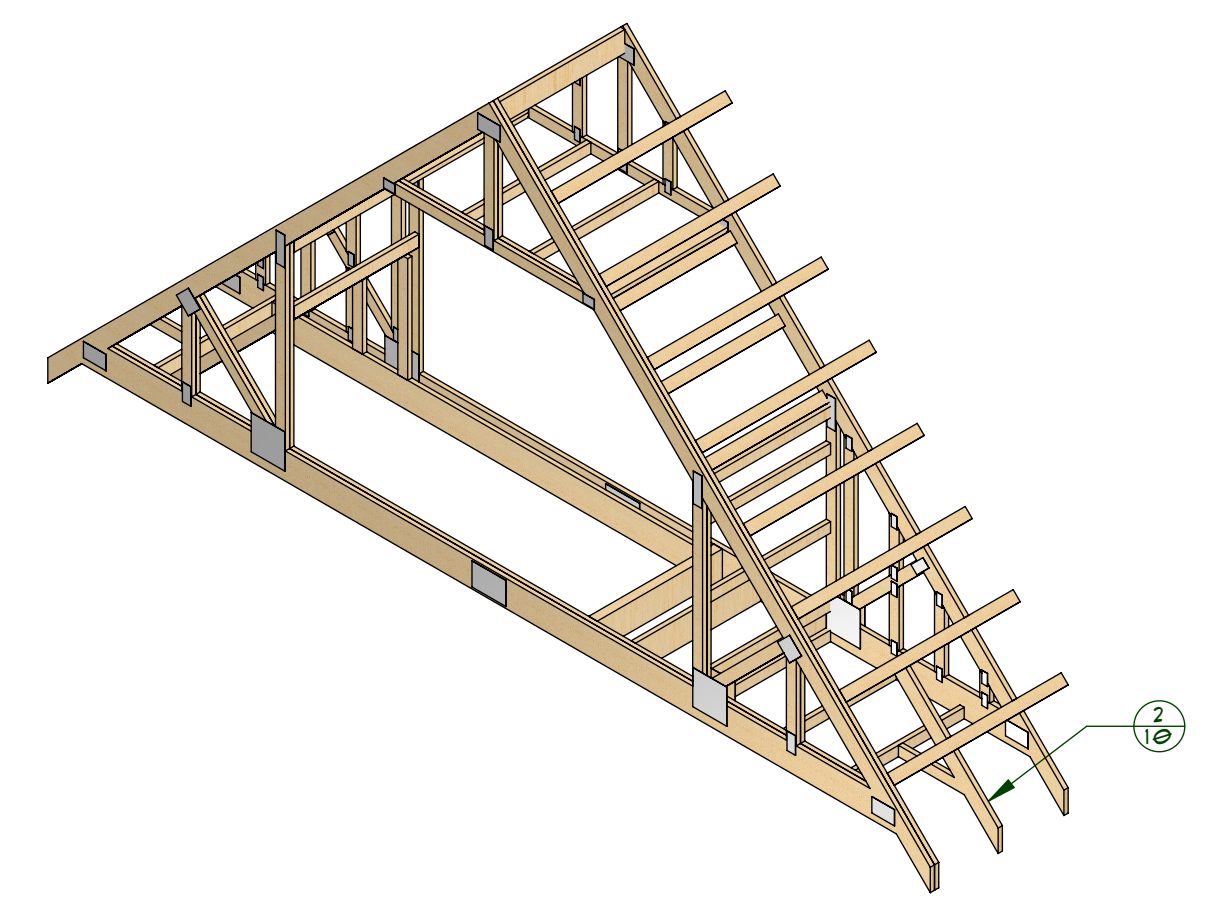
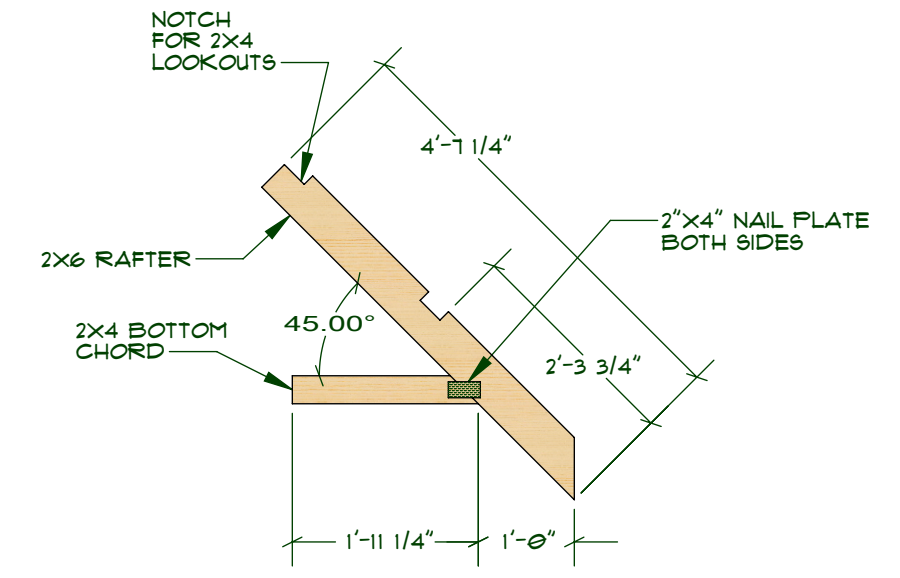
CUSTOMER: _____
LOCATION: _____
SHEET _____



3 KNEEWALL RAFTER DETAIL
SCALE: 1/2" = 1'-0"



2 STAIRWELL RAFTER DETAIL
SCALE: 1/2" = 1'-0"



- ROOF FRAMING NOTES:**
- SPACE KNEEWALL RAFTERS @ 24" O/C WITH TRUSSES
 - ROOF SHEATHING TO BE 1/16" OGB
 - NAILED W/ 8D NAILS @ 6" O/C EDGES AND 12" O/C FIELD
 - USE H-CLIPS CENTERED BETWEEN TRUSSES AT SHEET EDGES
 - PRE-ASSEMBLE TRUSS ASSEMBLIES ON GROUND AND LIFT INTO PLACE WITH CRANE
 - USE 88T JOIST HANGERS FOR ATTIC FLOOR JOISTS, DORMER HEADERS AND CEILING JOISTS: HU210, HU210-2, HU28, HU26