



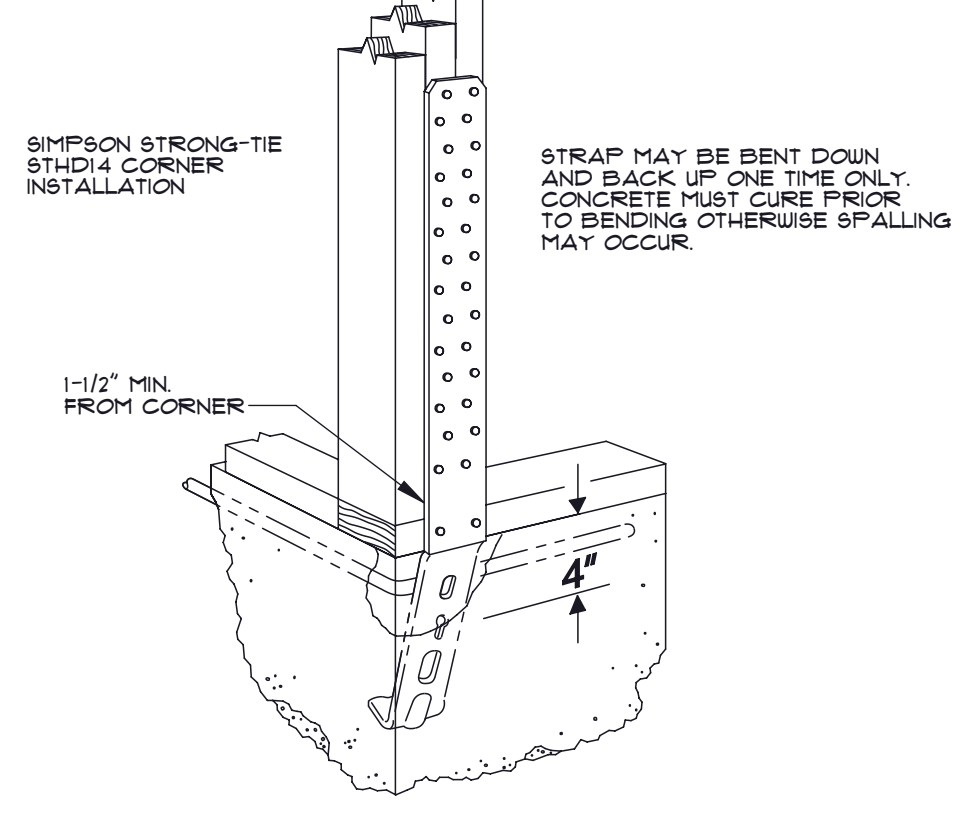
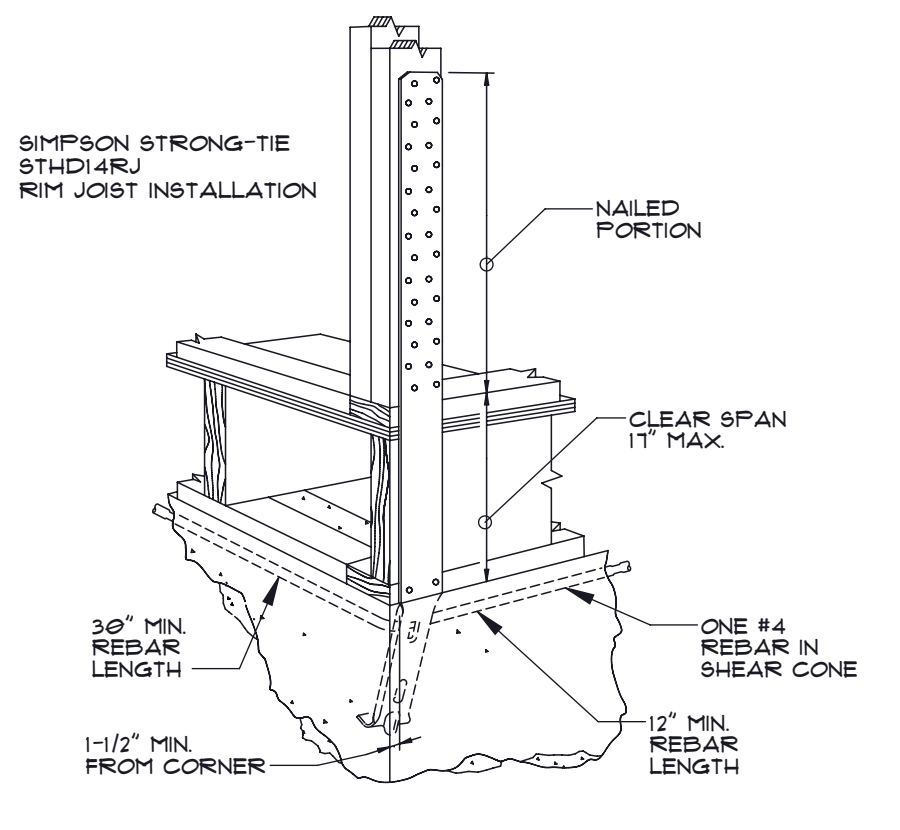
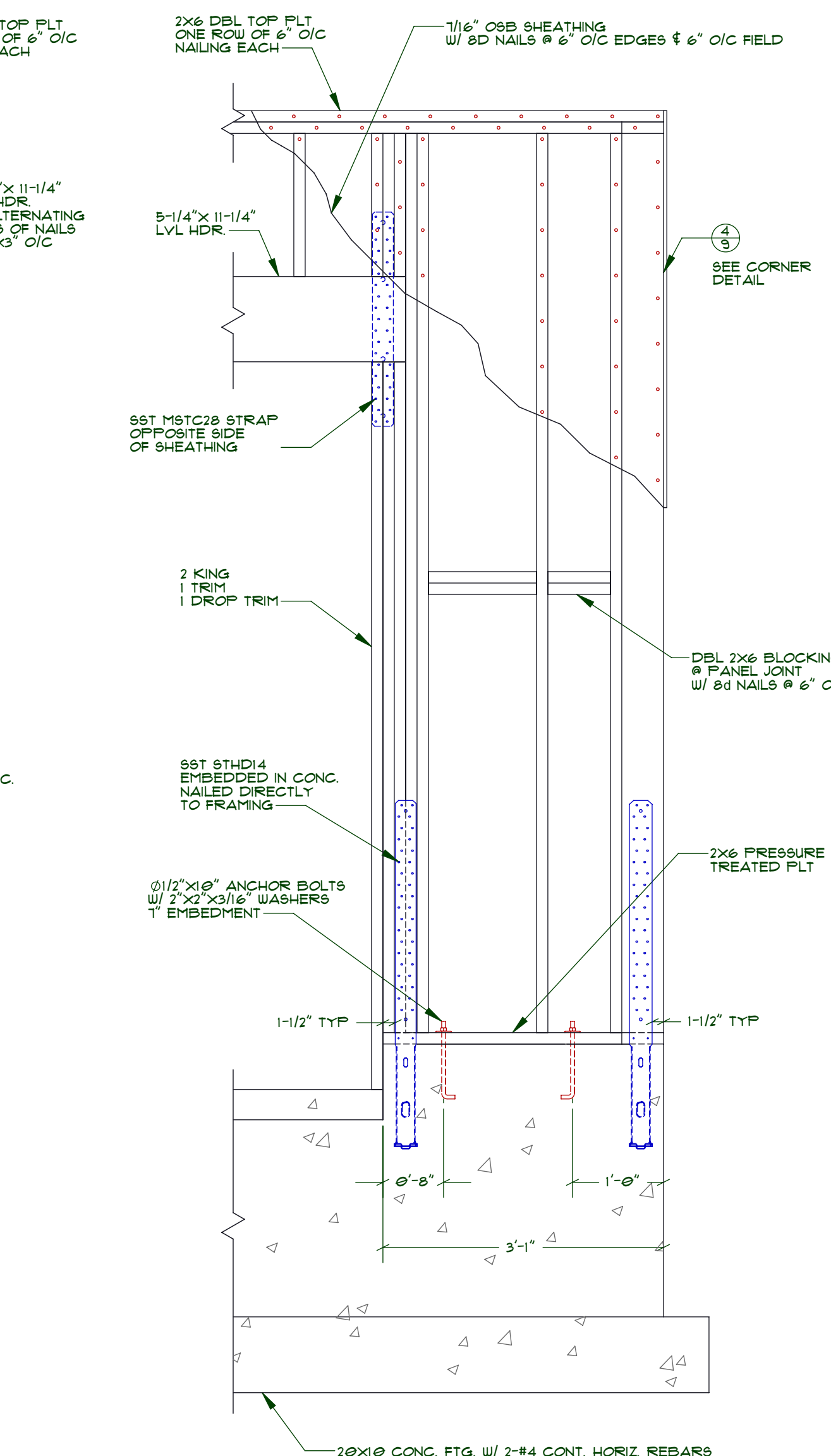
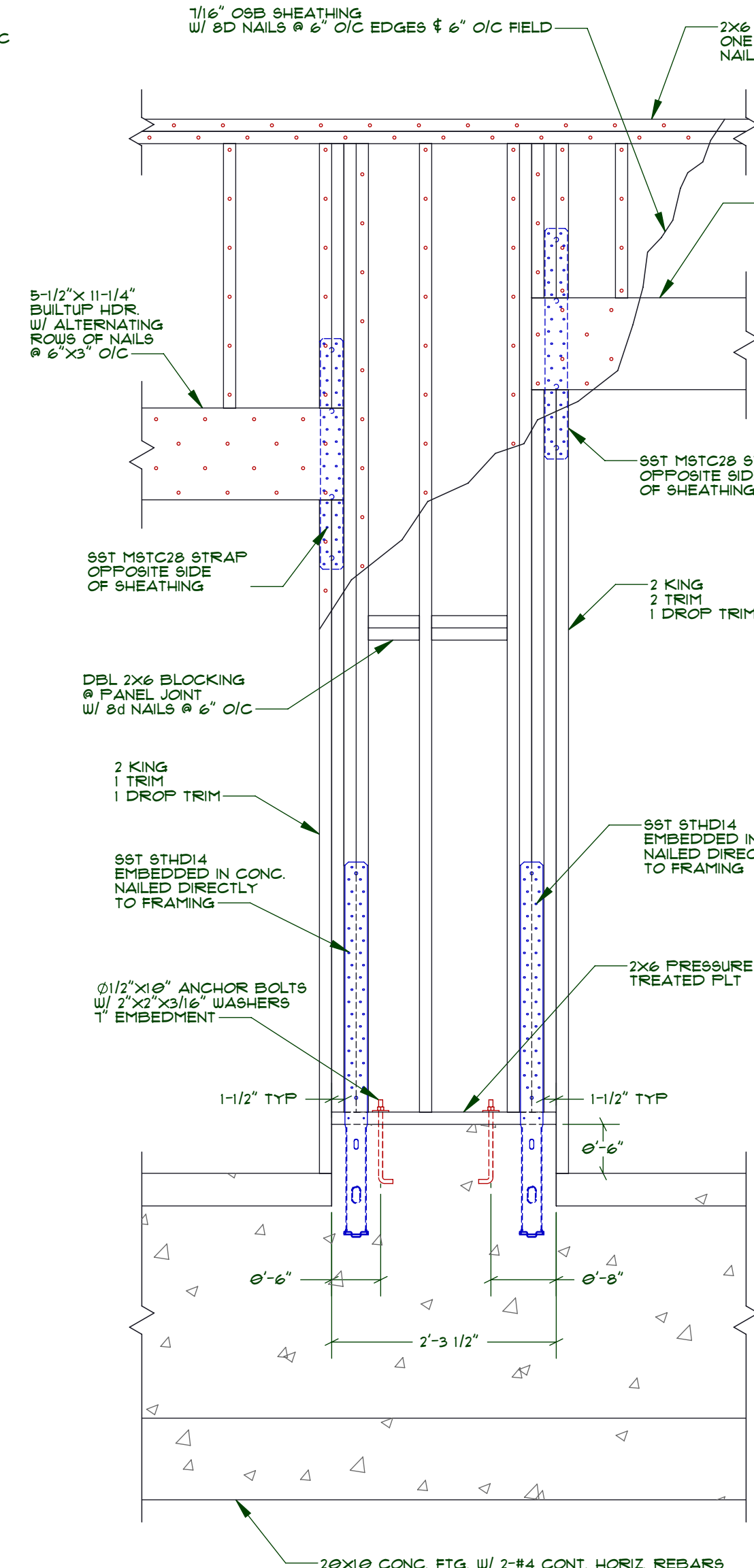
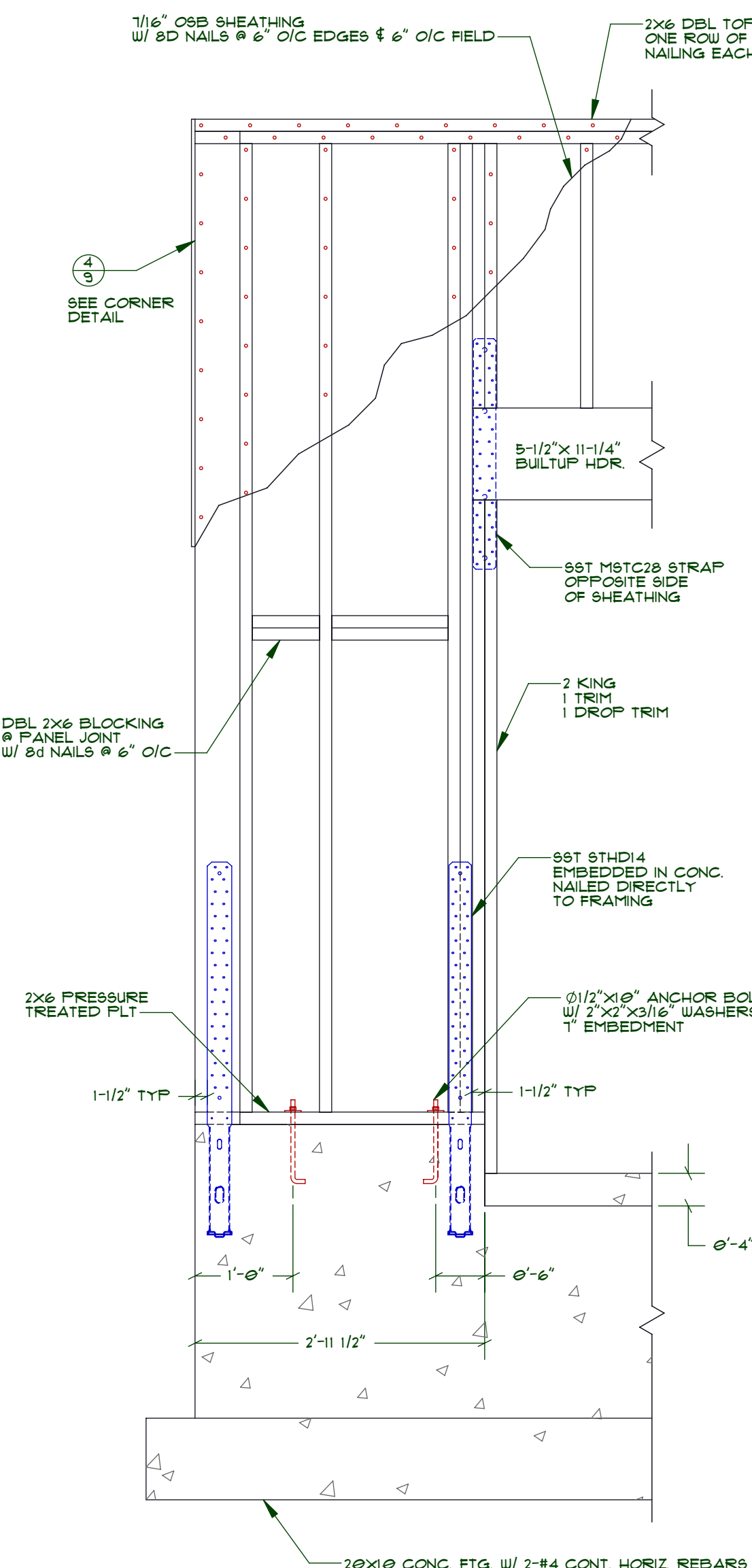
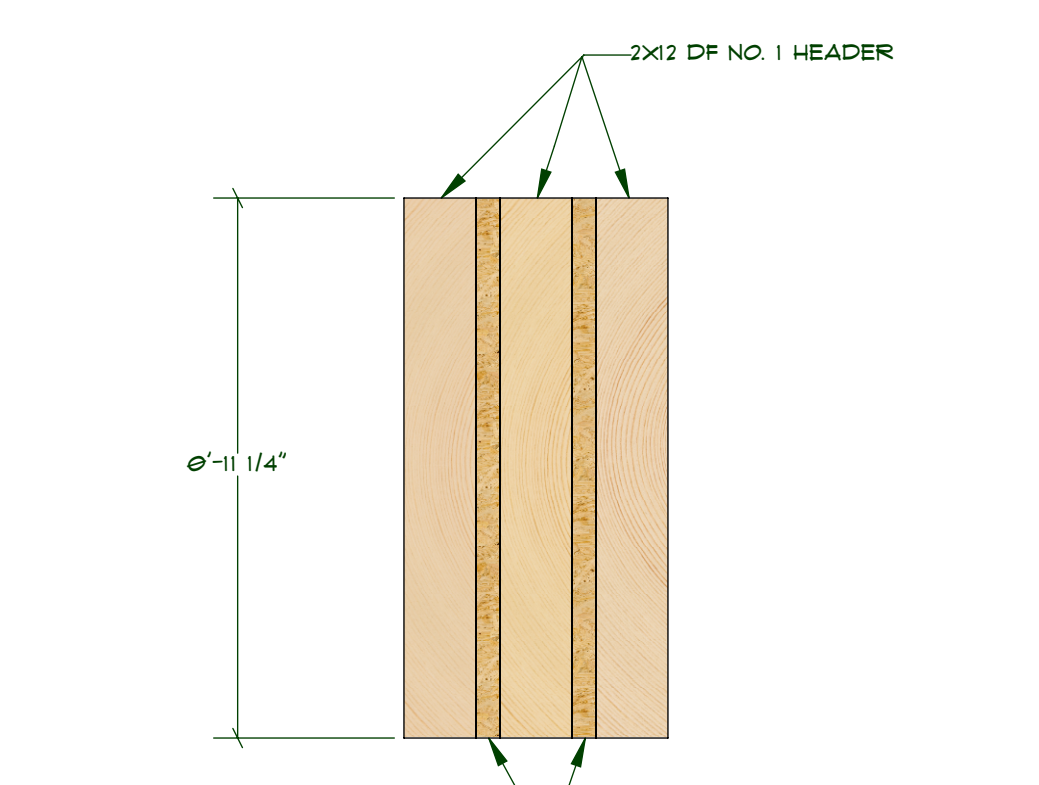
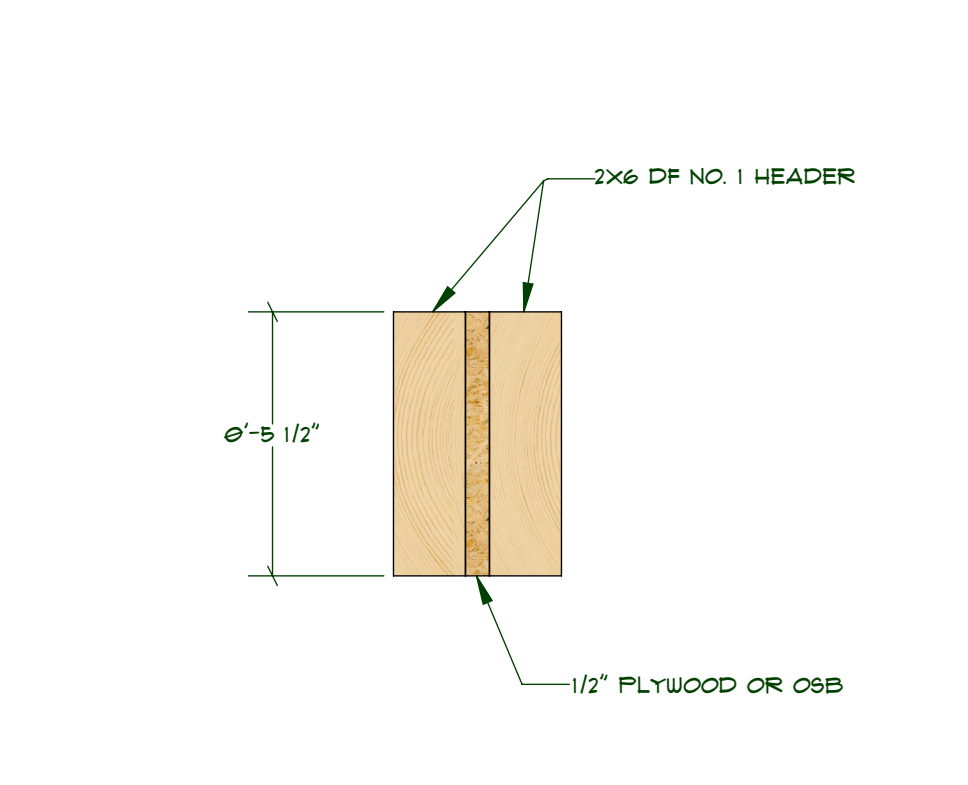
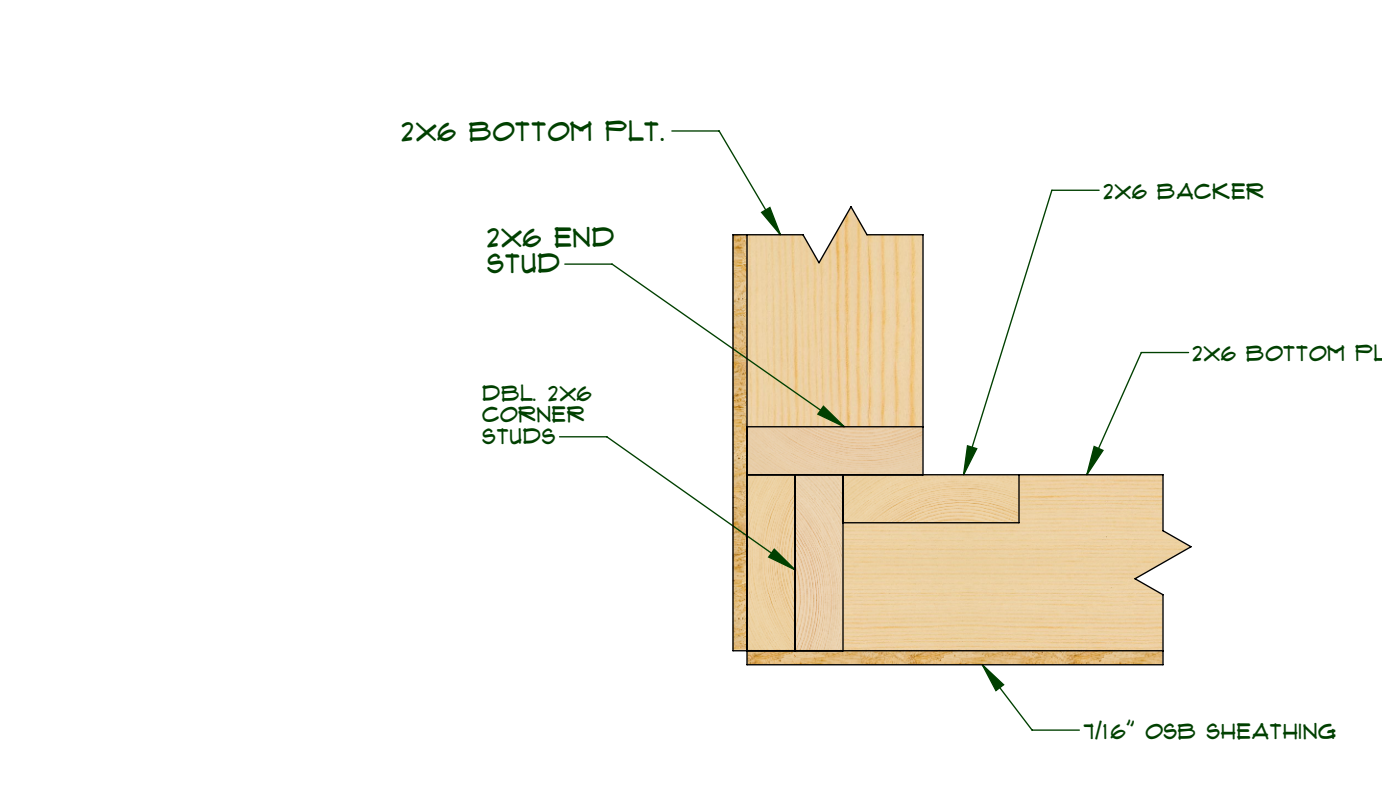
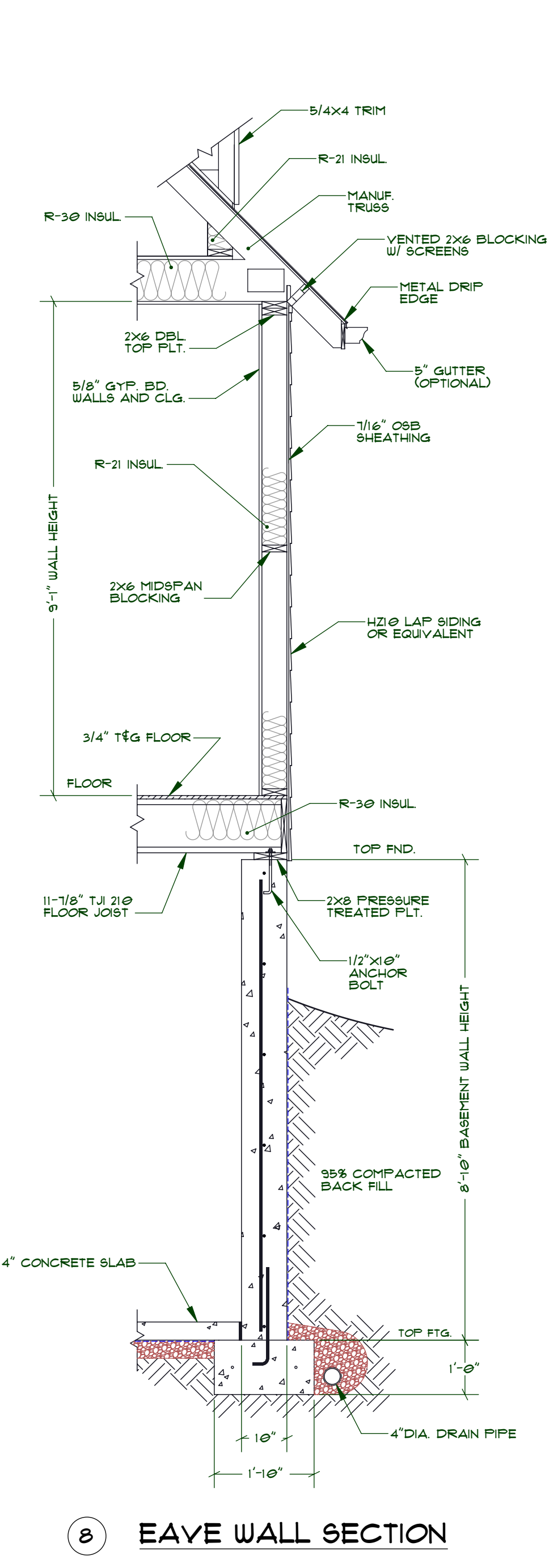
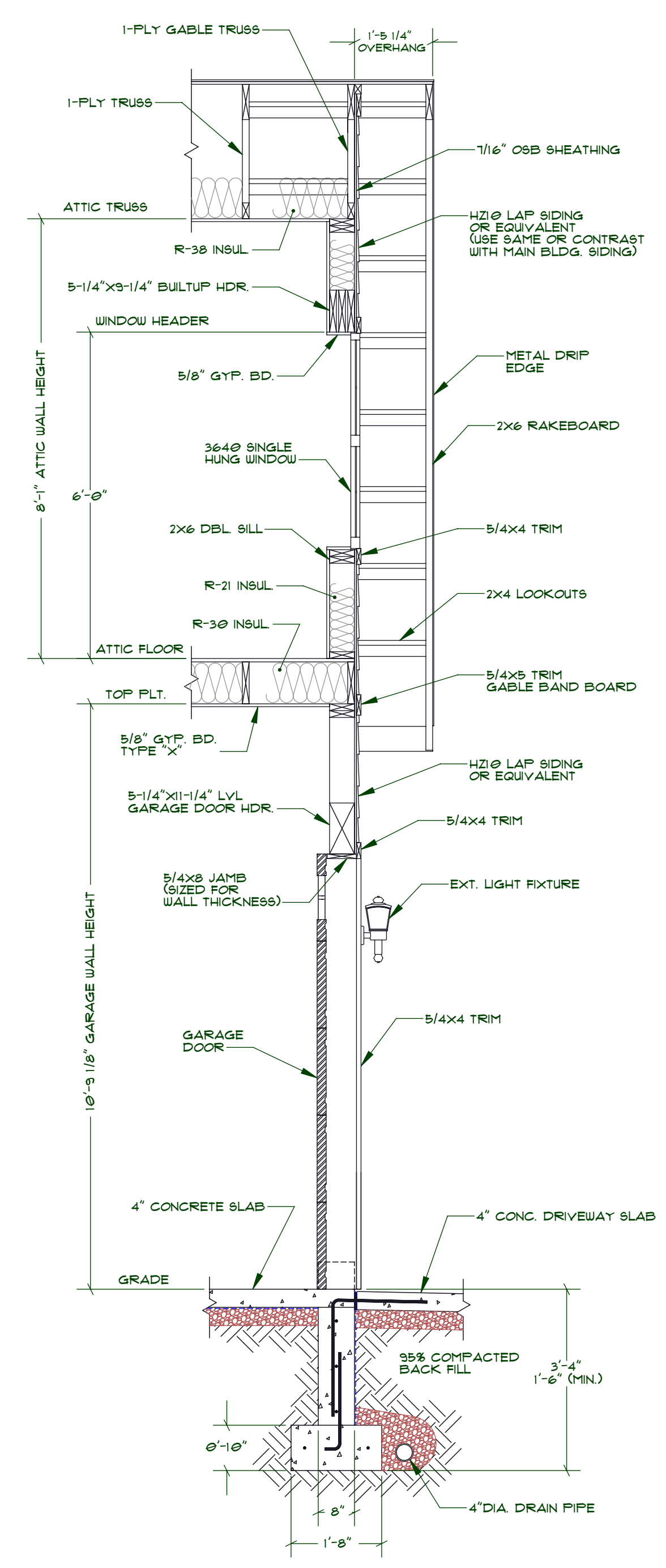
MEDEEK DESIGN  
INC.  
403 SOUTH DEER PARKWAY SUITE 100  
PLAZA BLVD. - SUITE 100  
DUNCAN, MISSOURI 64728  
TEL: 660-333-3333  
WWW.MEDEEKDESIGN.COM

PLAN NO. SHOP4824-A6DB  
SCALE: 1/8" = 1'-0"  
REVISION: A.1

DESIGNED BY: NFW  
DATE: 3/6/2012

SHEET CONTENTS:  
FRAMING WALL SECTIONS

REVISION HISTORY:	
CUSTOMER:	
LOCATION:	
SHEET	



**ALTERNATE BRACED WALL PANEL DETAILS**

**FRAMING DETAIL NOTES:**

1. 7/16" OSB SHEATHING NAILED W/ 8D NAILS @ 6" O/C EDGES AND 6" O/C FIELD FOR ALL ABW PANELS AS SHOWN
2. SHEATHING NAILED TO JACK/KING STUDS AND HEADERS AS SHOWN IN ABW PANEL DETAILS
3. USE H-CLEIPS CENTERED BETWEEN TRUSSES AT SHEET EDGES
4. PRE-ASSEMBLE TRUSS ASSEMBLIES ON GROUND AND LIFT INTO PLACE WITH CRANE
5. USE S8T JOIST HANGERS FOR ATTIC FLOOR JOISTS, DORMER HEADERS AND CEILING JOISTS: HU210, HU210-2, HU28, HU26