



MEDEEK DESIGN
INC.
403 SOUTH WASHINGTON BLVD
P.O. BOX 1130 - 04740 W. ASB
DESIGN@MEDEEK.COM

PLAN NO. **SHOP4824-A6DB**
SCALE 1/4" = 1'-0"
REVISION: A.1

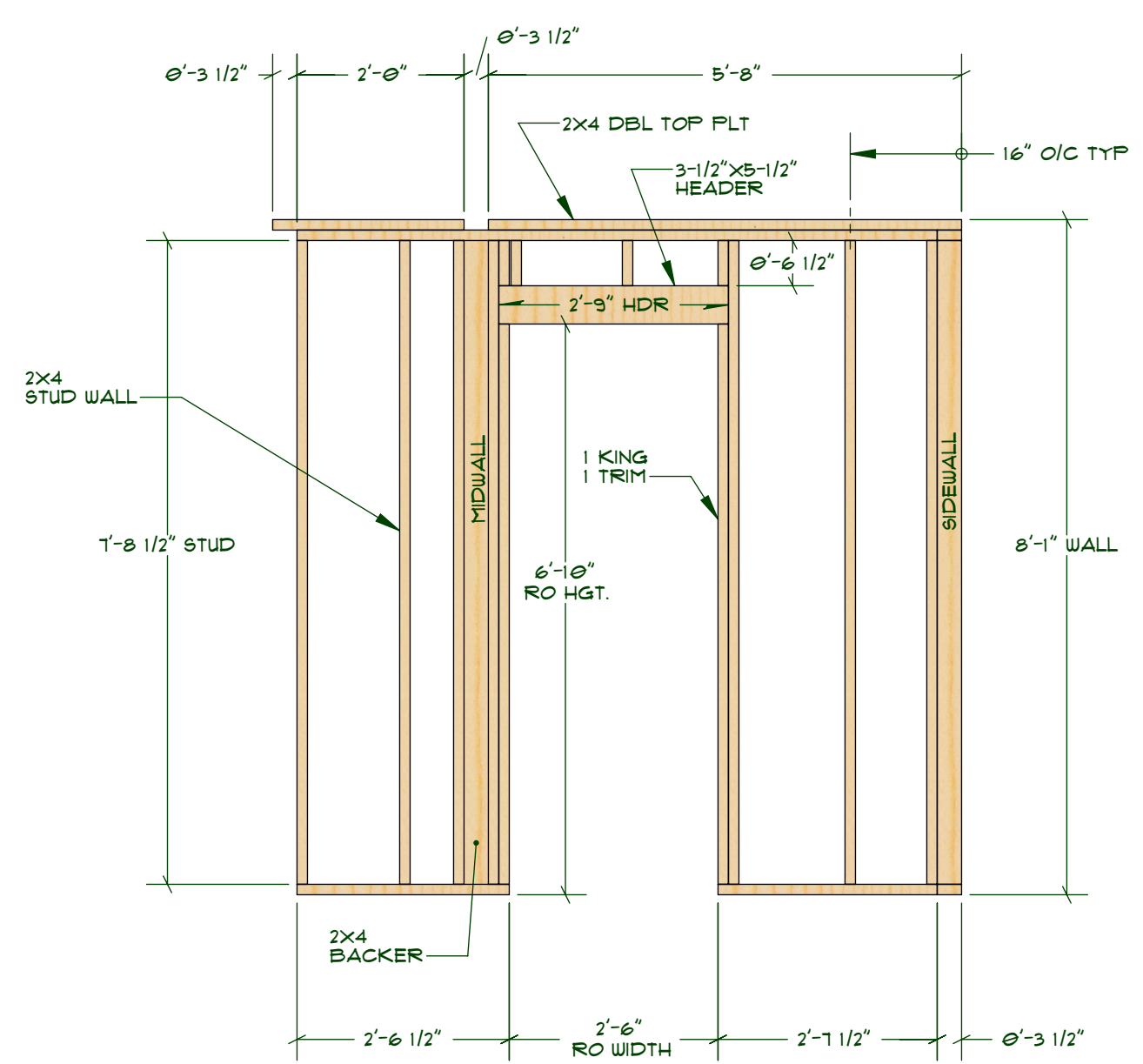
DESIGNED BY: **NFW**
DATE: **5/9/2012**

SHEET CONTENTS:
ALT. WALL FRAMING ELEVATIONS

REVISION HISTORY:

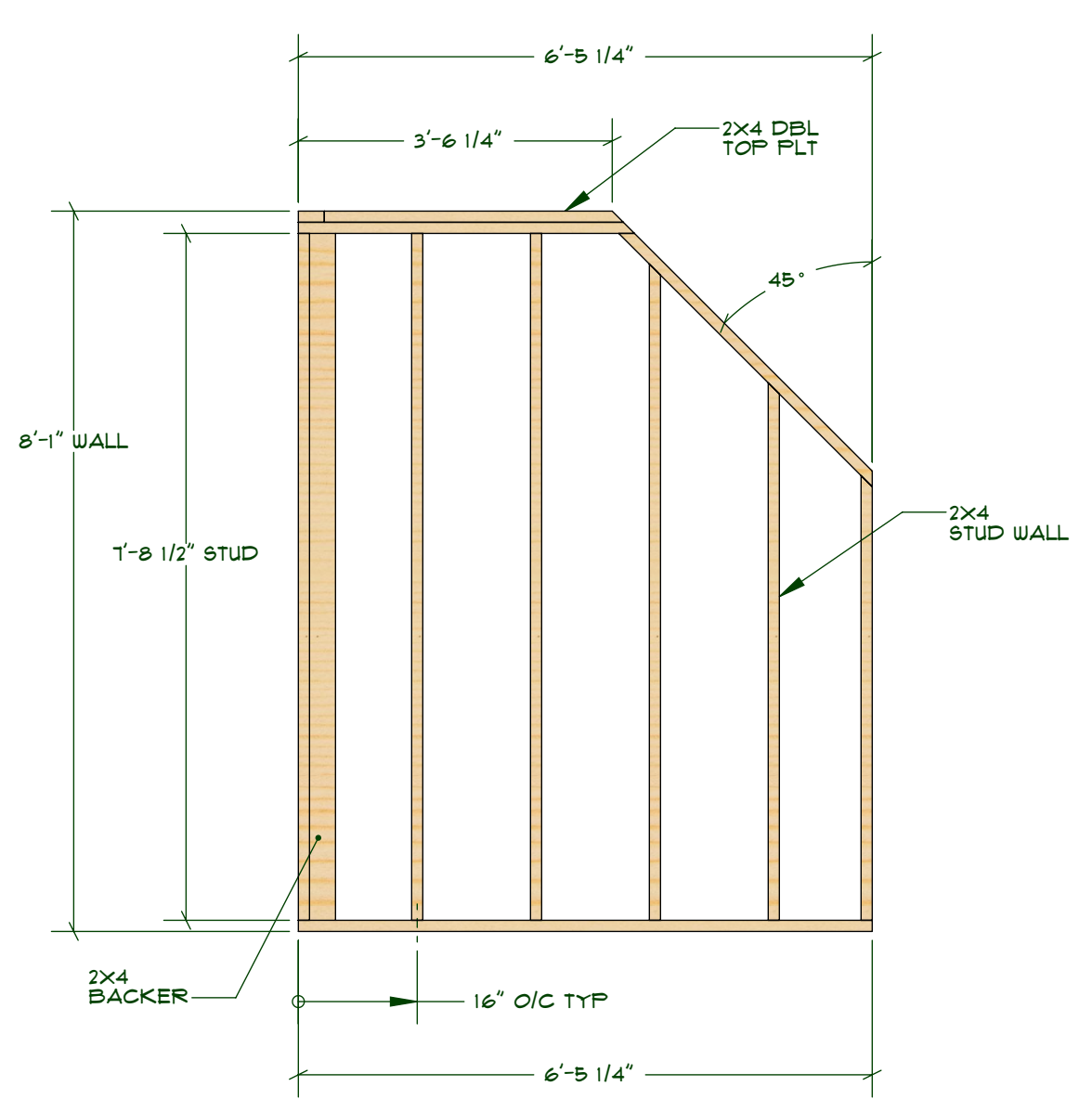
CUSTOMER:
LOCATION:
SHEET

CUSTOMER:
LOCATION:
SHEET



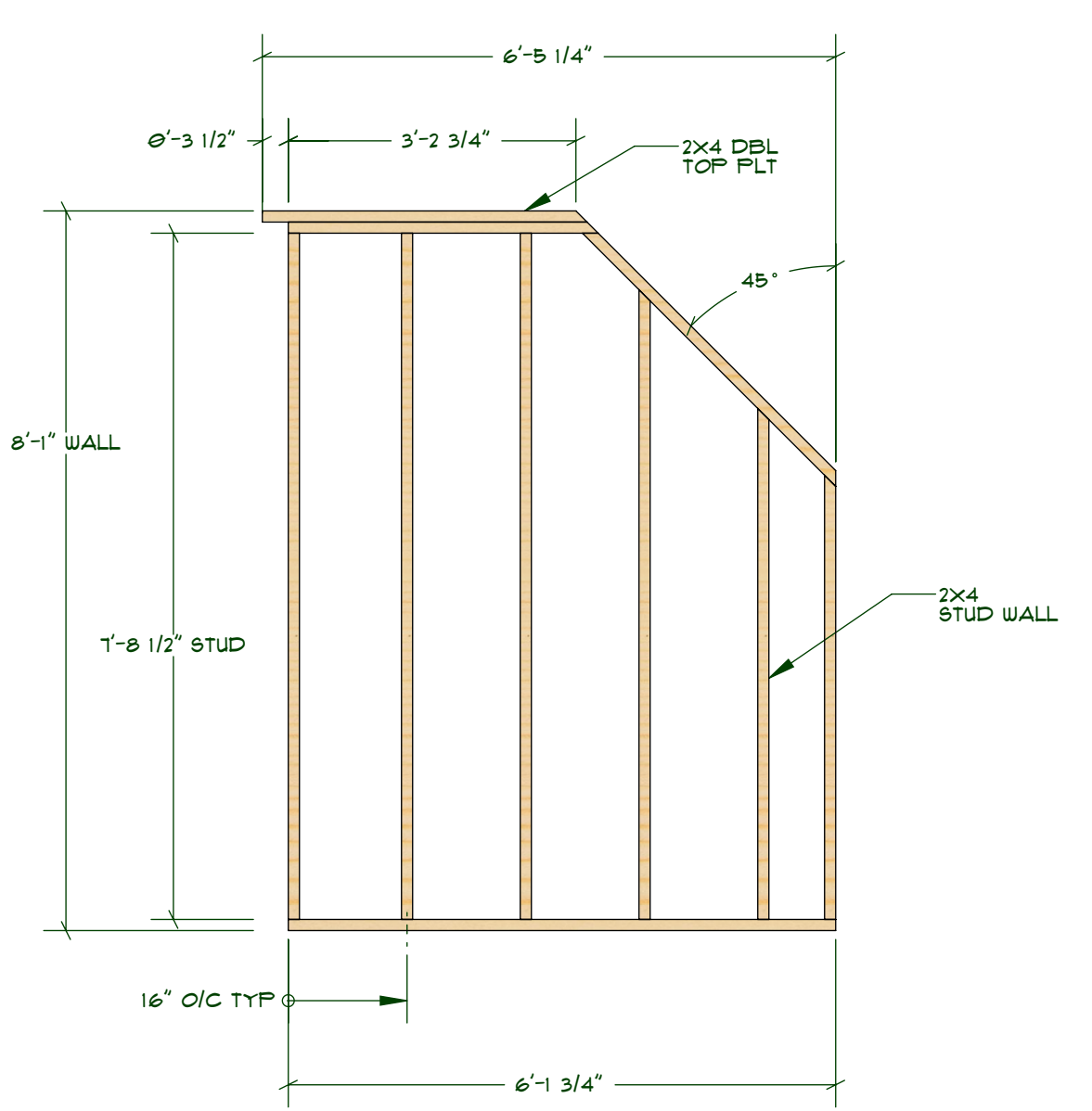
BATHROOM WALL FRAMING

SCALE: 1/2"=1'-0"



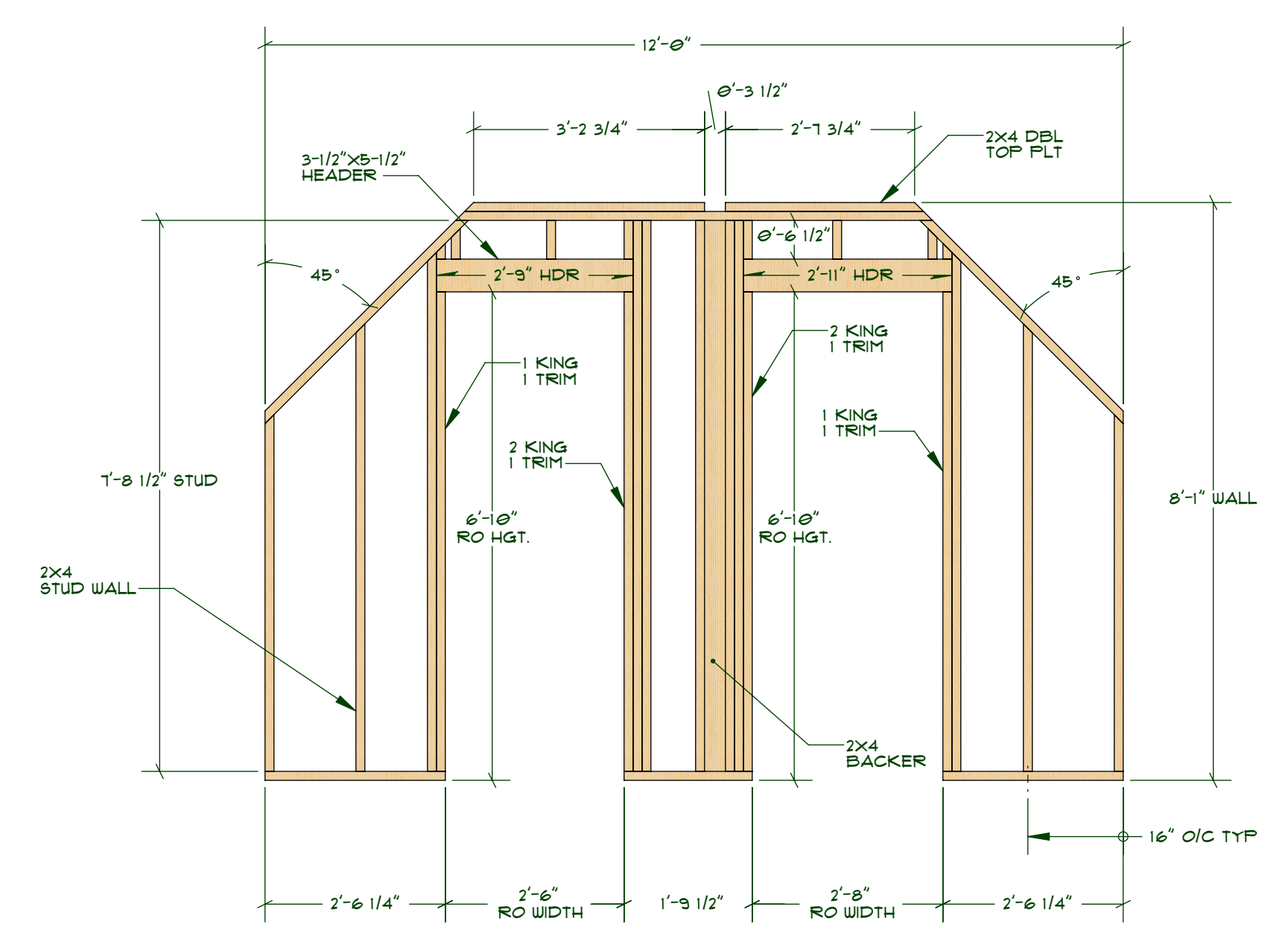
BATHROOM SIDEWALL FRAMING

SCALE: 1/2"=1'-0"



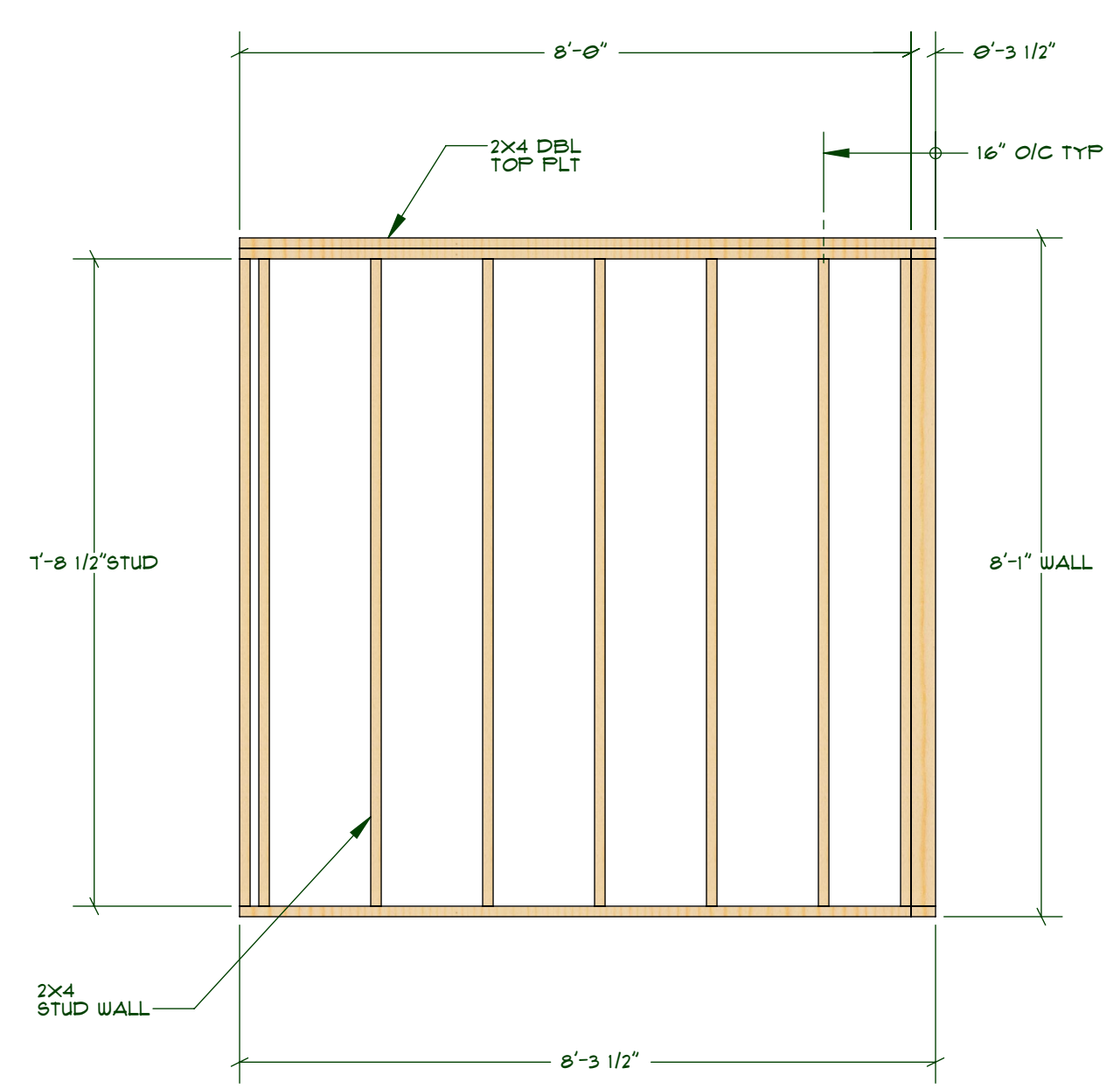
STAIRS MIDWALL FRAMING

SCALE: 1/2"=1'-0"



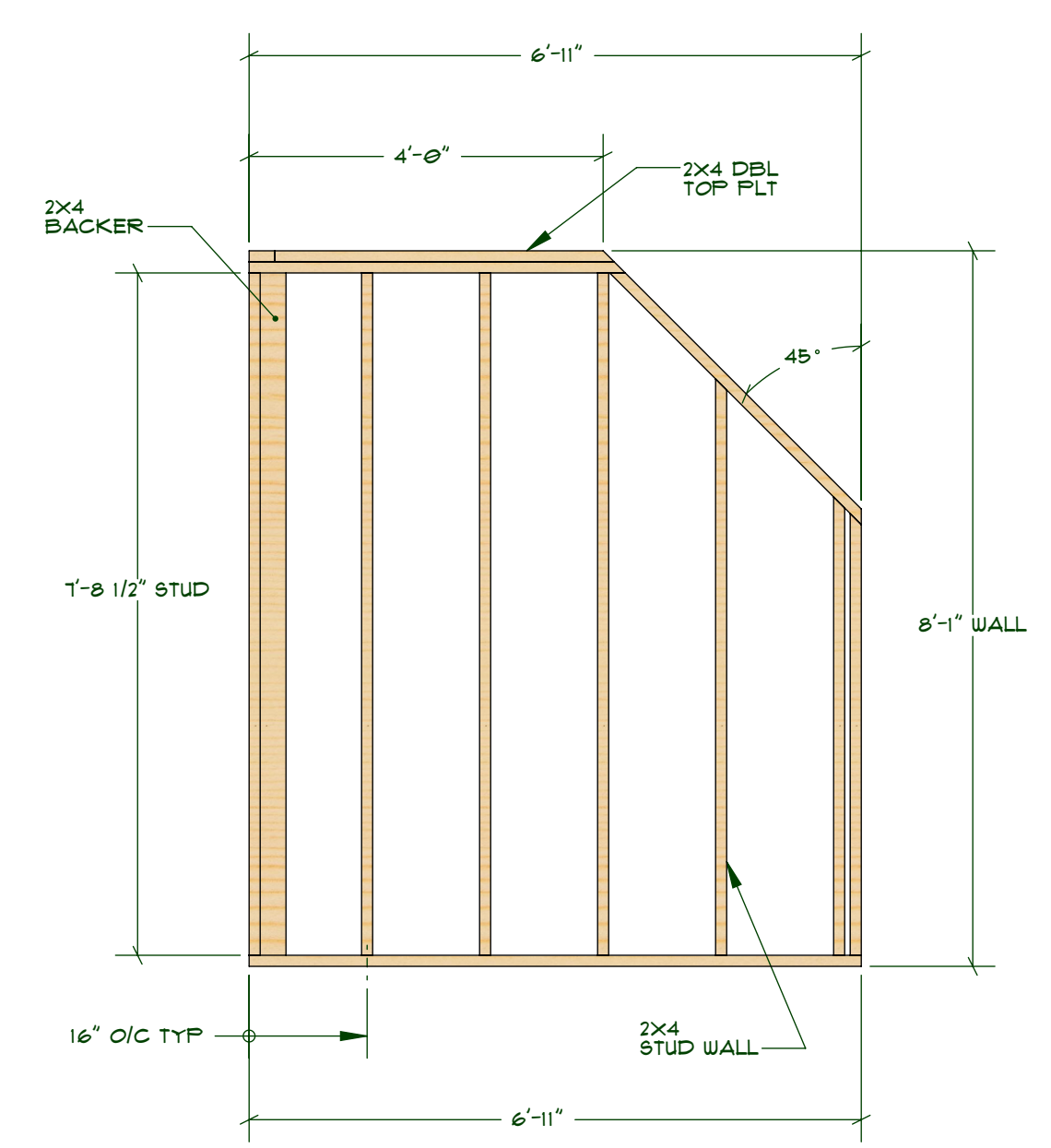
BEDROOM WALL FRAMING

SCALE: 1/2"=1'-0"



KITCHENETTE WALL FRAMING

SCALE: 1/2"=1'-0"



WALL FRAMING NOTES:

1. VERIFY ALL ROUGH OPENING WIDTHS AND HEIGHTS.
2. ALL EXTERIOR WALLS 2X6 STUDS UNLESS OTHERWISE INDICATED.
3. ALL INTERIOR WALL 2X4 STUDS UNLESS OTHERWISE INDICATED.
4. EXT. WALLS 7/16 OSB SHEATHING AND NAILED W/ 8d NAILS @ 6" O/C EDGES AND 12" O/C FIELD.
5. INSTALL BACKERS FOR FIXTURES AND GYP. BOARD AS REQUIRED.