



**MEDEEK DESIGN**  
 3815 W. CONANT BLVD. SUITE 100  
 PORTLAND, OR 97201  
 503.251.1111  
 DESIGNS@MEDEEK.COM

PLAN NO. **FRAMING**  
 SCALE 1/4" = 1'-0"  
 REVISION: A.1

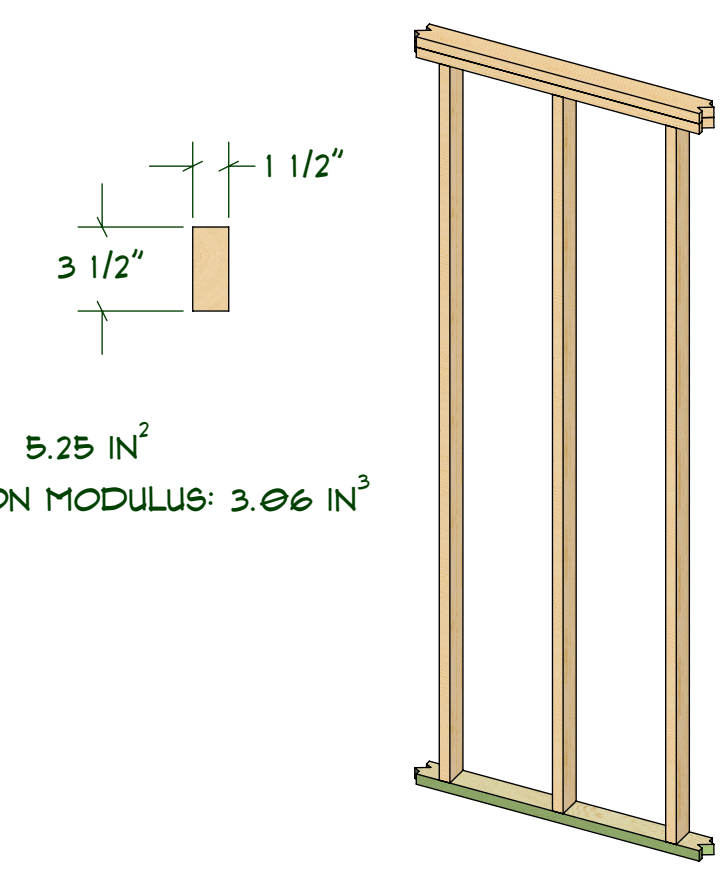
DESIGNED BY: **NFW**  
 DATE: **5/21/2013**

SHEET CONTENTS:  
**2X6 VS. 2X4 FRAMING**

REVISION HISTORY:

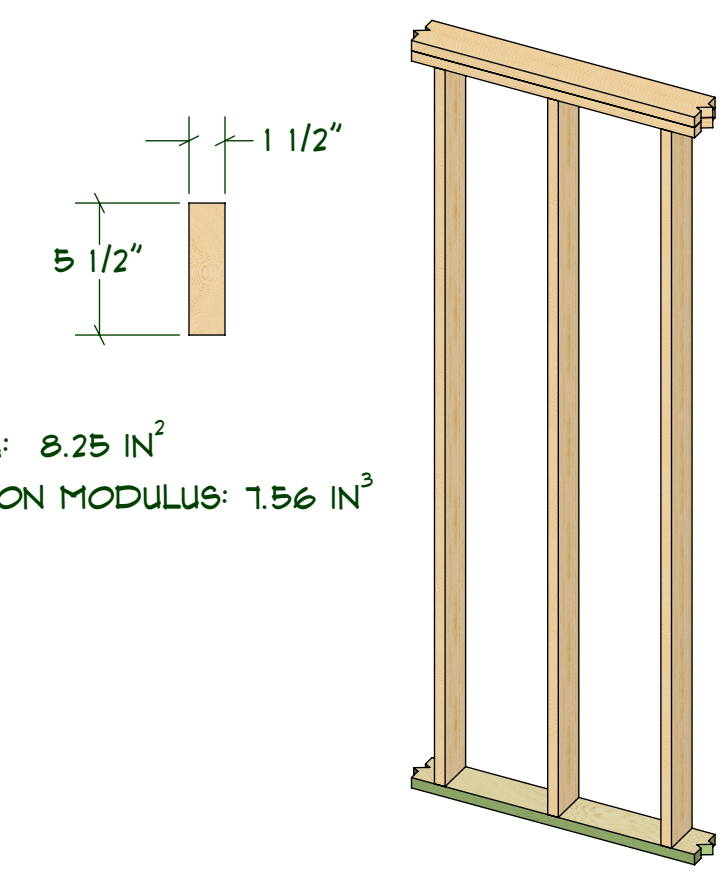
CUSTOMER:   
 LOCATION:   
 SHEET

OF 1



AREA: 5.25 IN<sup>2</sup>  
 SECTION MODULUS: 3.06 IN<sup>3</sup>

2X4 9FT. FRAMED WALL



AREA: 8.25 IN<sup>2</sup>  
 SECTION MODULUS: 7.56 IN<sup>3</sup>

2X6 9FT. FRAMED WALL