



MEDEEK DESIGN  
 1000 S. GARDNER BLVD. SUITE 100  
 PHOENIX, AZ 85008  
 DISIGN@MEDEEK.COM  
 TEL: 602.998.1100  
 FAX: 602.998.1101

PLAN NO. **GARAGE4828B-A6D-3**  
 SCALE 1/4" = 1'-0"

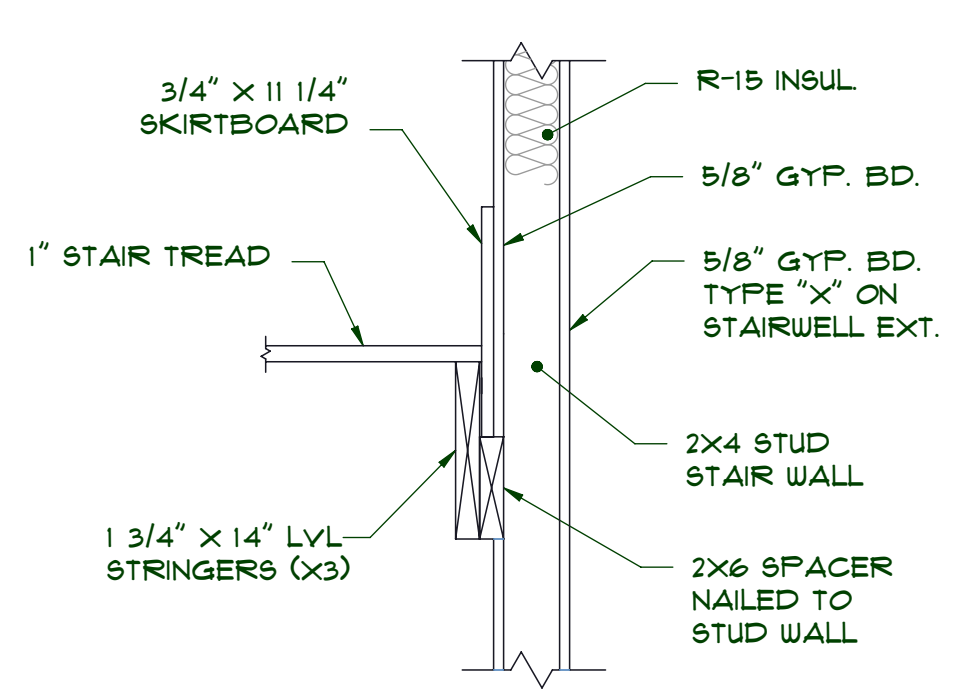
DESIGNED BY: **NPW**  
 DATE: **5/12/2013**

SHEET CONTENTS:

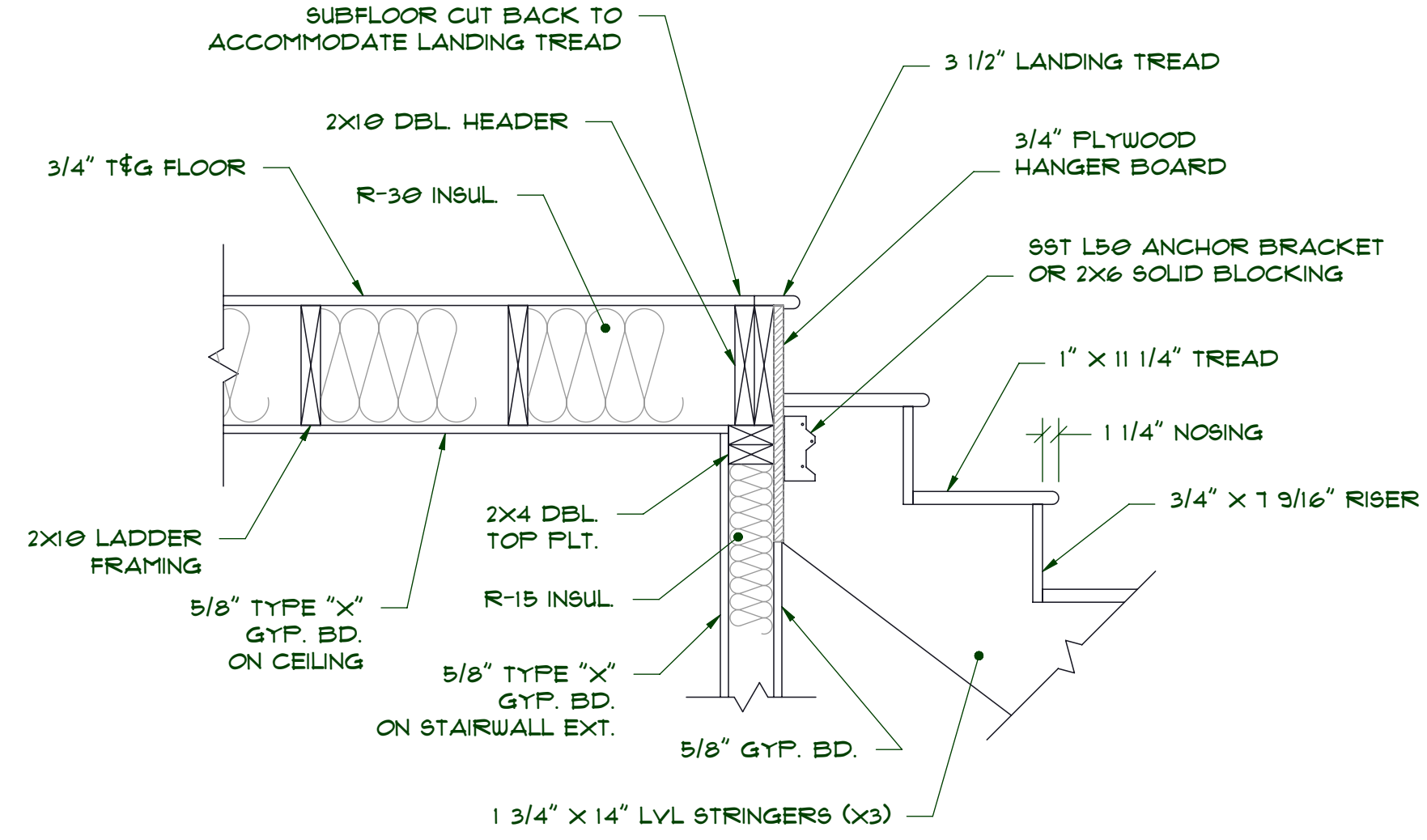
REVISION HISTORY:

CUSTOMER: LOCATION: SHEET

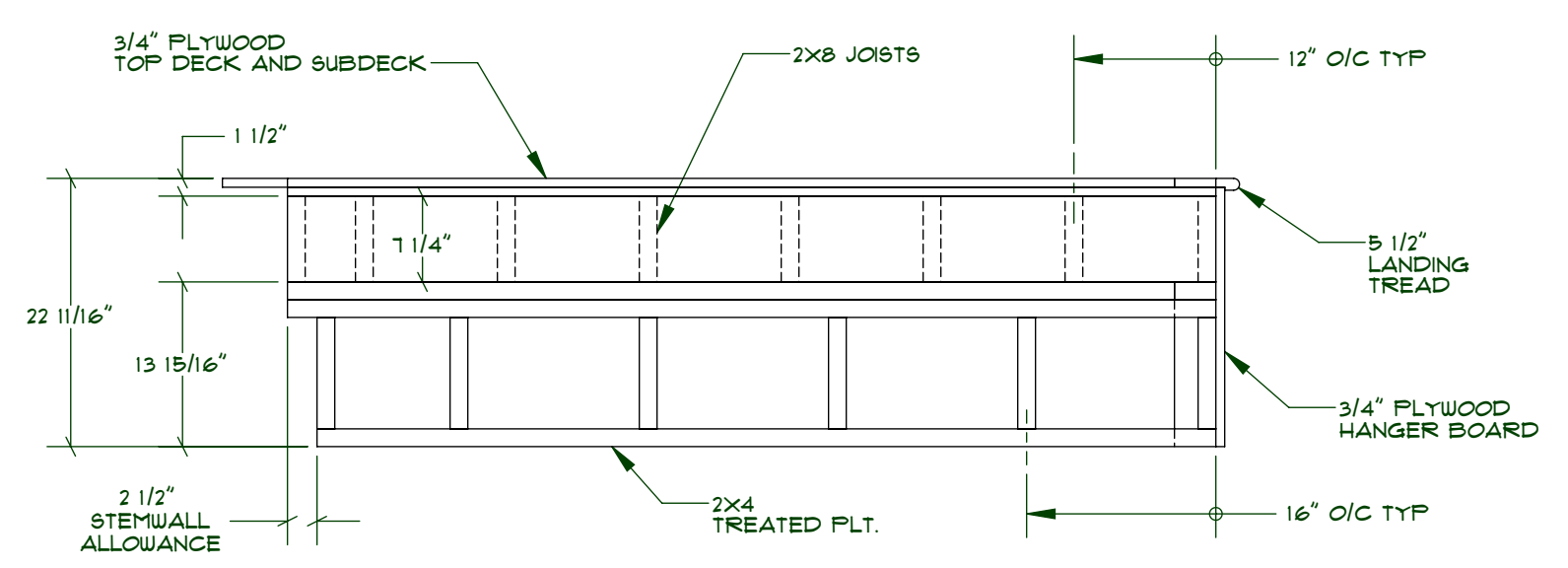
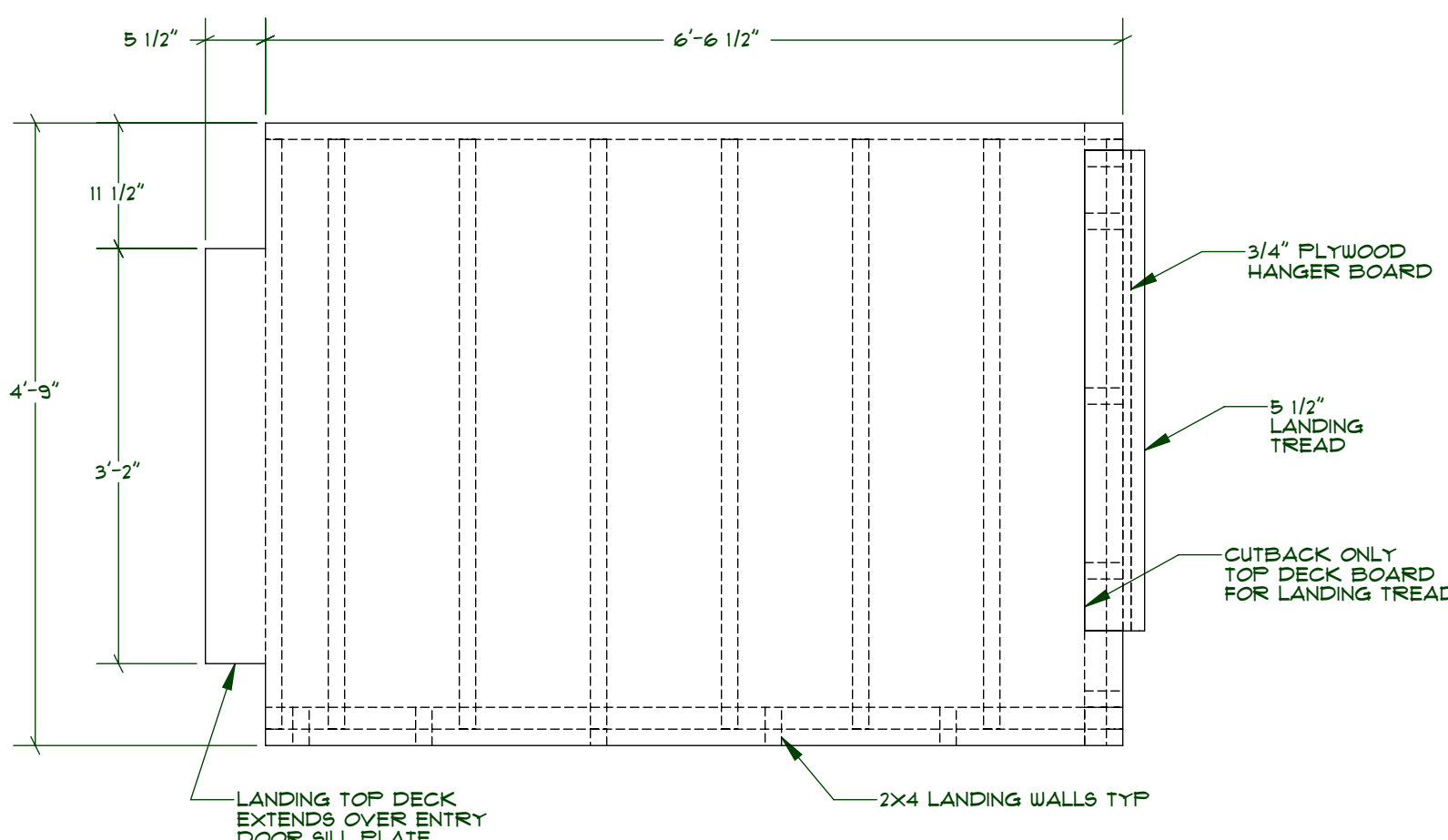
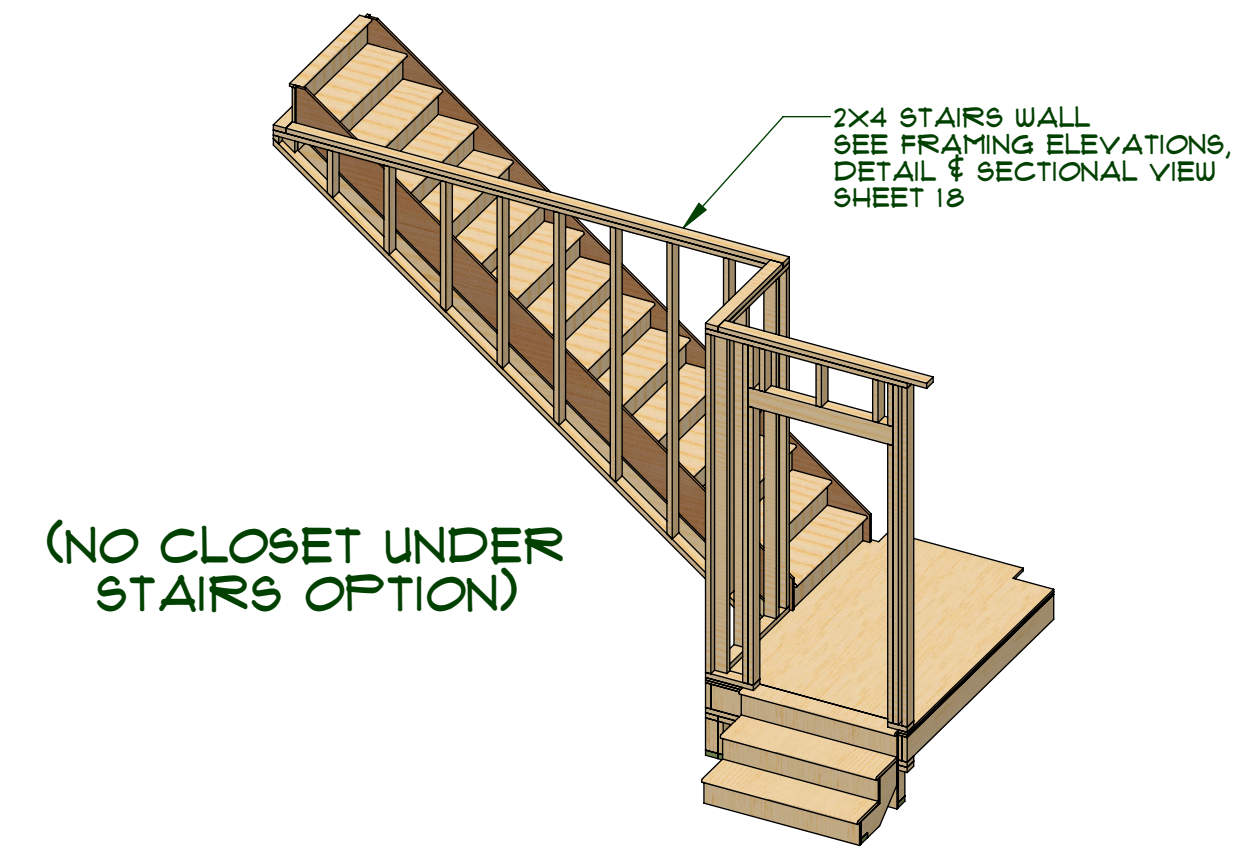
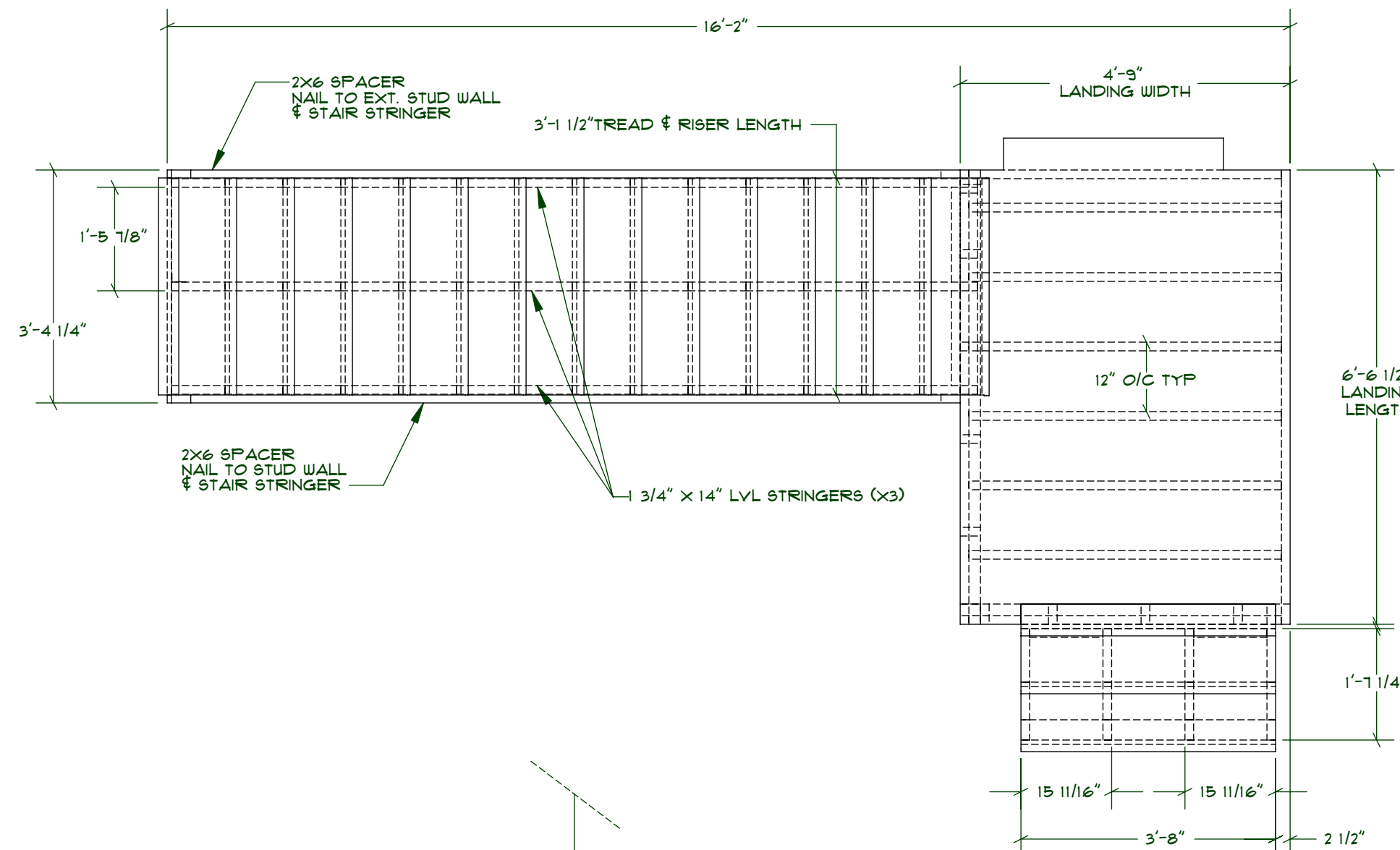
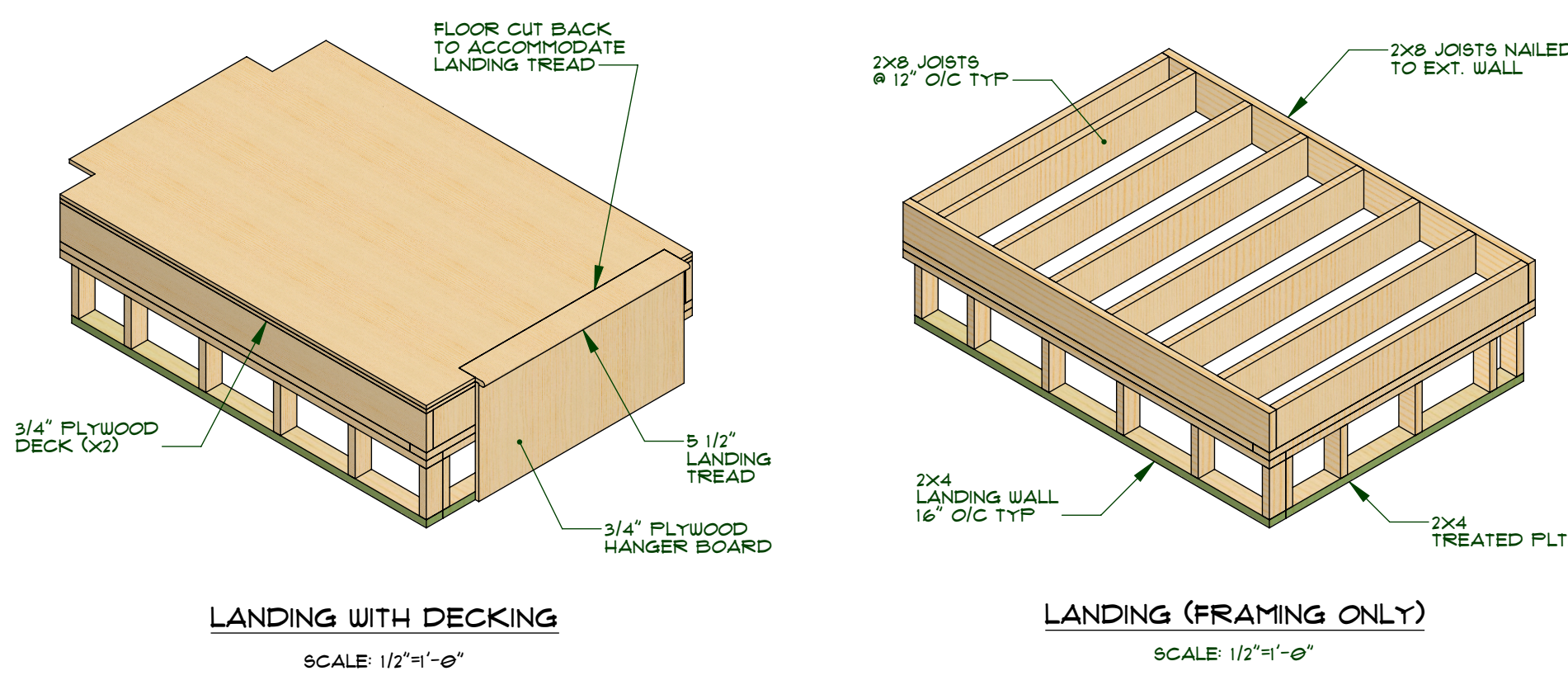
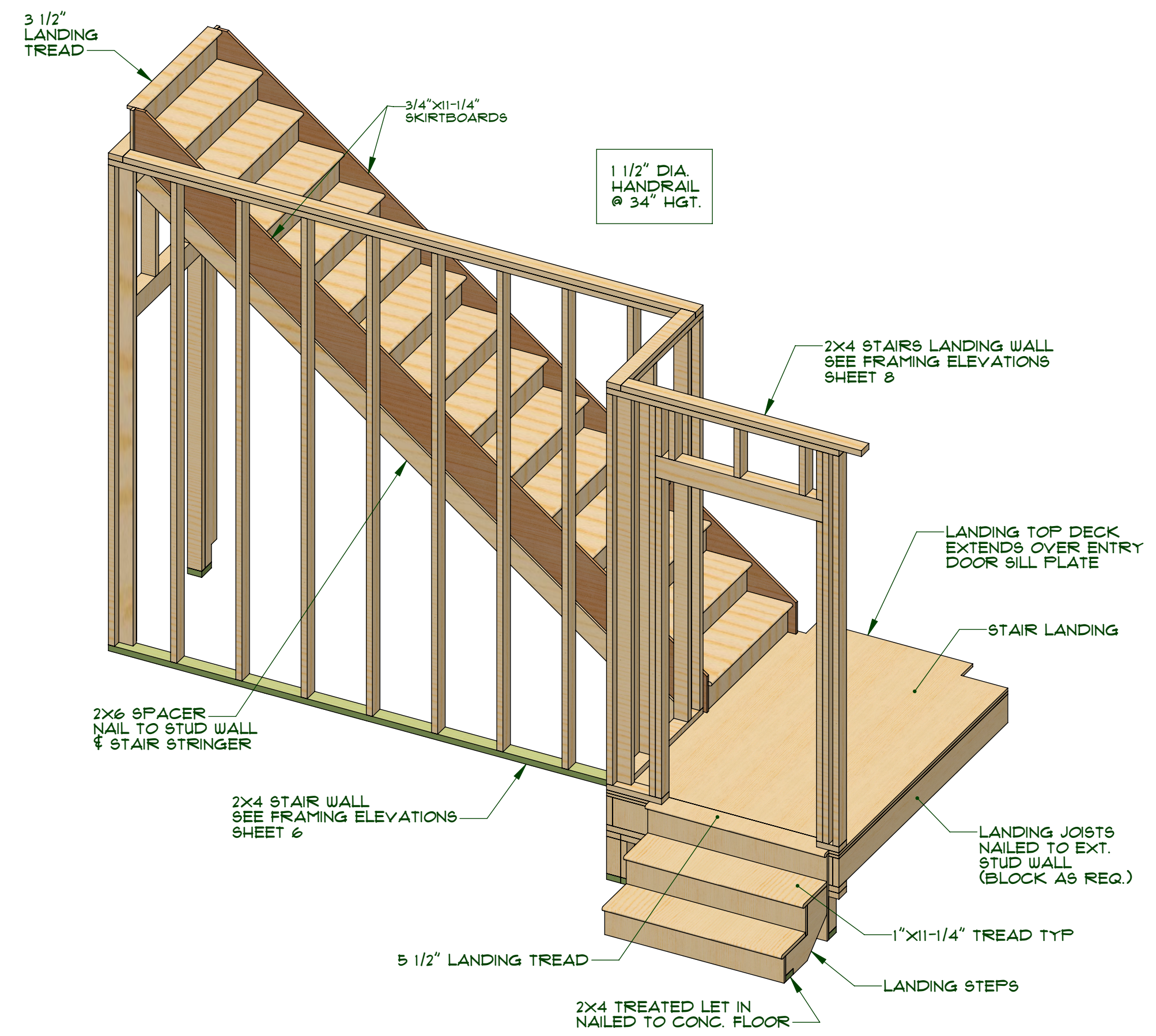
13 OF 19



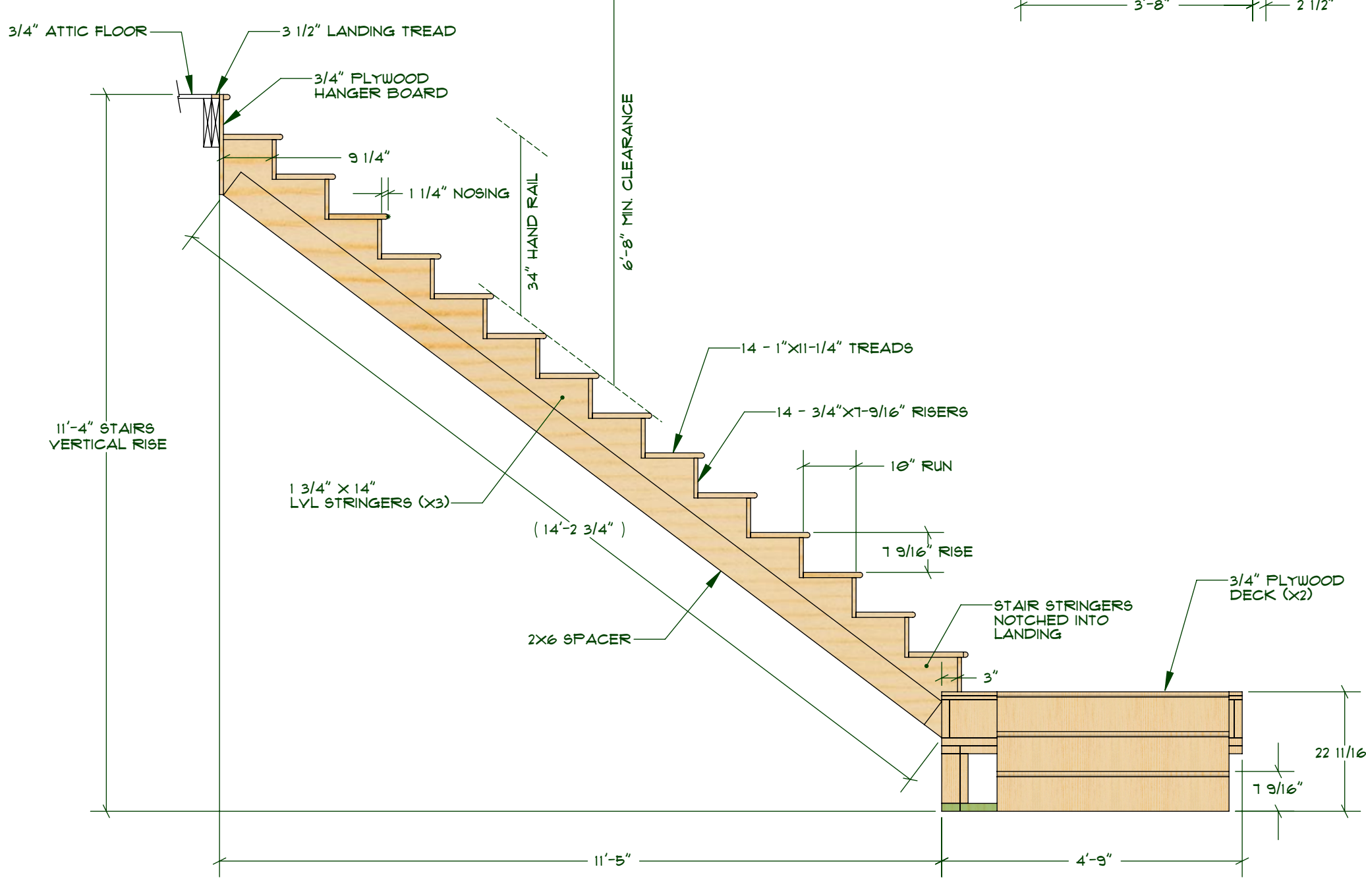
3 STAIR WALL/STRINGER SECTION  
 SCALE: 1"=1'-0"



2 STAIR HEADER SECTION  
 SCALE: 1"=1'-0"



1 LANDING ELEVATIONS  
 SCALE: 3/4"=1'-0"



4 STAIR ELEVATIONS  
 SCALE: 1/2"=1'-0"

**STAIR FRAMING NOTES:**

1. A FLIGHT OF STAIRS SHALL NOT HAVE A VERTICAL RISE LARGER THAN 12' BETWEEN FLOOR LEVELS OR LANDINGS.
2. STAIR HEADROOM MIN 6'-8" AT ALL PLACES FROM TREAD NOSING.
3. STAIR TREADS - MAX RISE 1 3/4", MIN RUN 10".
4. TREAD VARIATION - MAX 3/8" ON ALL TREADS AND RISERS.
5. STAIR WIDTH - MIN 36" WIDE.
6. LANDINGS FOR STAIRWAYS MIN 36" X 36". LANDINGS REQUIRED AT:
  - ALL EXT. DOORS (EXCEPT FROM HOUSE INTO GARAGE) AT TOP OF STEPS
  - BOTTOM OF ALL INTERIOR STAIRWAYS
  - TOP OF INTERIOR STAIRWAYS EXCEPT WHERE DOOR DOES NOT SWING OVER STAIRS.
7. STAIRWAY FIRE PROTECTION - 1/2" GYP. BD. REQUIRED ON STAIR SORPTS & WALLS. NAIL AT MAX 8" O/C INTO ALL STAIR HORSES.
8. HANDRAILS REQUIRED WHEN THERE ARE 4 OR MORE RISERS.
9. HANDRAILS SHAPE - 1 1/4" DIA, OR EQUIVALENT GRIPPING SURFACE.
10. HANDRAIL MOUNTING HEIGHT - 34"-38" HIGH, MEASURED VERTICALLY ABOVE TREAD NOSING TO TOP OF RAILING.
11. HANDRAIL CONTINUITY - CONTINUOUS, RETURNED AT ENDS TO WALL, NEUEL POST, OR SAFETY TERMINAL HANDRAILS SHALL BE CONTINUOUS THE FULL LENGTH OF THE STAIRS FROM A POINT DIRECTLY ABOVE THE TOP RISER TO A POINT DIRECTLY ABOVE THE BOTTOM RISER.
12. GUARDRAILS REQUIRED ON OPEN SIDES OF STAIRS, LANDINGS, AND PLATFORMS MORE THAN 30" ABOVE GRADE OR FLOOR BELOW.
13. GUARDRAIL HEIGHT - MIN 36" HIGH TO TOP OF GUARDRAIL.
14. BALLISTER SPACING - SPACED SO THAT A 4" SPHERE CANNOT PASS.
15. GUARDRAILS WITH HANDRAILS - WHEN COMBINED WITH HANDRAIL ON OPEN SIDE OF STAIRS, GUARDRAIL MAY BE BUILT TO HANDRAIL HEIGHT.

**HANDRAIL NOTES:**

1. HANDRAILS ADJACENT TO A WALL SHALL HAVE A SPACE OF NOT LESS THAN 1 1/2" BETWEEN THE WALL AND THE HANDRAILS. MAX PROJECTION FROM THE WALL SHALL BE 4 1/2".
2. HANDRAILS WITH A CIRCULAR CROSS SECTION SHALL HAVE AN OUTSIDE DIAMETER OF AT LEAST 1 1/4" AND NOT GREATER THAN 2". IF THE HANDRAIL IS NOT CIRCULAR, IT SHALL HAVE A PERIMETER DIMENSION OF AT LEAST 4" AND NOT GREATER THAN 6 1/4" WITH A MAX. CROSS SECTION OF DIMENSION OF 2 1/4". EDGES SHALL HAVE A MIN. RADIUS OF 0.01".
3. HANDRAILS WITH A PERIMETER GREATER THAN 6 1/4" SHALL HAVE A GRASPABLE FINGER RECESS AREA ON BOTH SIDES OF PROFILE. THE FINGER RECESS SHALL BEGIN WITH A DISTANCE OF 3/4" MEASURED VERTICALLY FROM THE TALLEST PORTION OF THE PROFILE. THIS REQUIRED DEPTH SHALL CONTINUE FOR AT LEAST 3/8" TO A LEVEL THAT IS NOT LESS THAN 1 3/4" BELOW THE TALLEST PORTION OF THE PROFILE. THE MIN. WIDTH OF THE HANDRAIL ABOVE THE RECESS SHALL BE 1 1/4" TO A MAX. 2 3/4". EDGES SHALL HAVE A MIN. RADIUS OF 0.01".