



MEDEEK DESIGN
 1000 S. GARDNER BLVD. SUITE 100
 PHOENIX, AZ 85026
 (602) 998-1100
 DISIGN@MEDEEK.COM

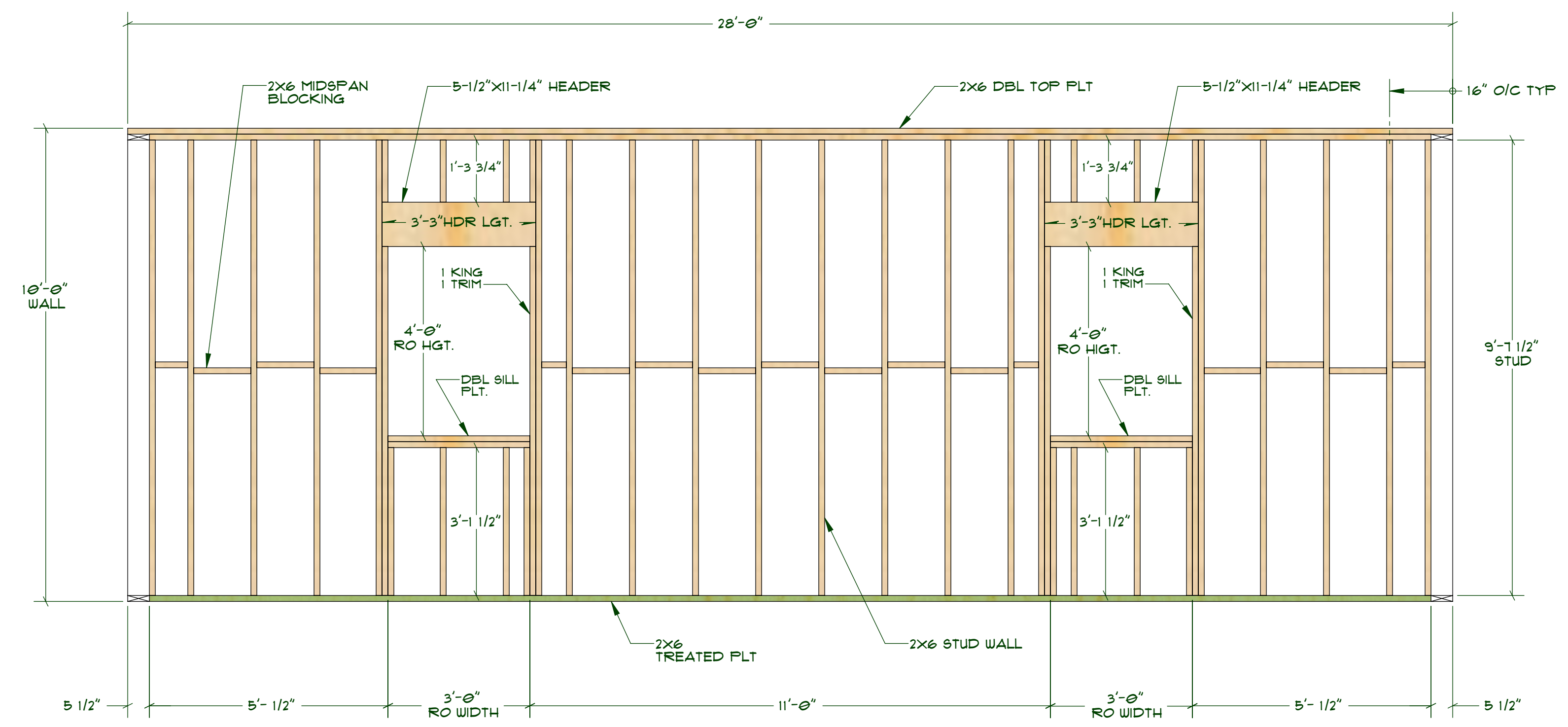
PLAN NO. **GARAGE4828B-A6D-3**
 SCALE 1/4" = 1'-0"

DESIGNED BY: **NFW**
 DATE: **5/17/2013**

SHEET CONTENTS:
WALL FRAMING ELEVATIONS (2)

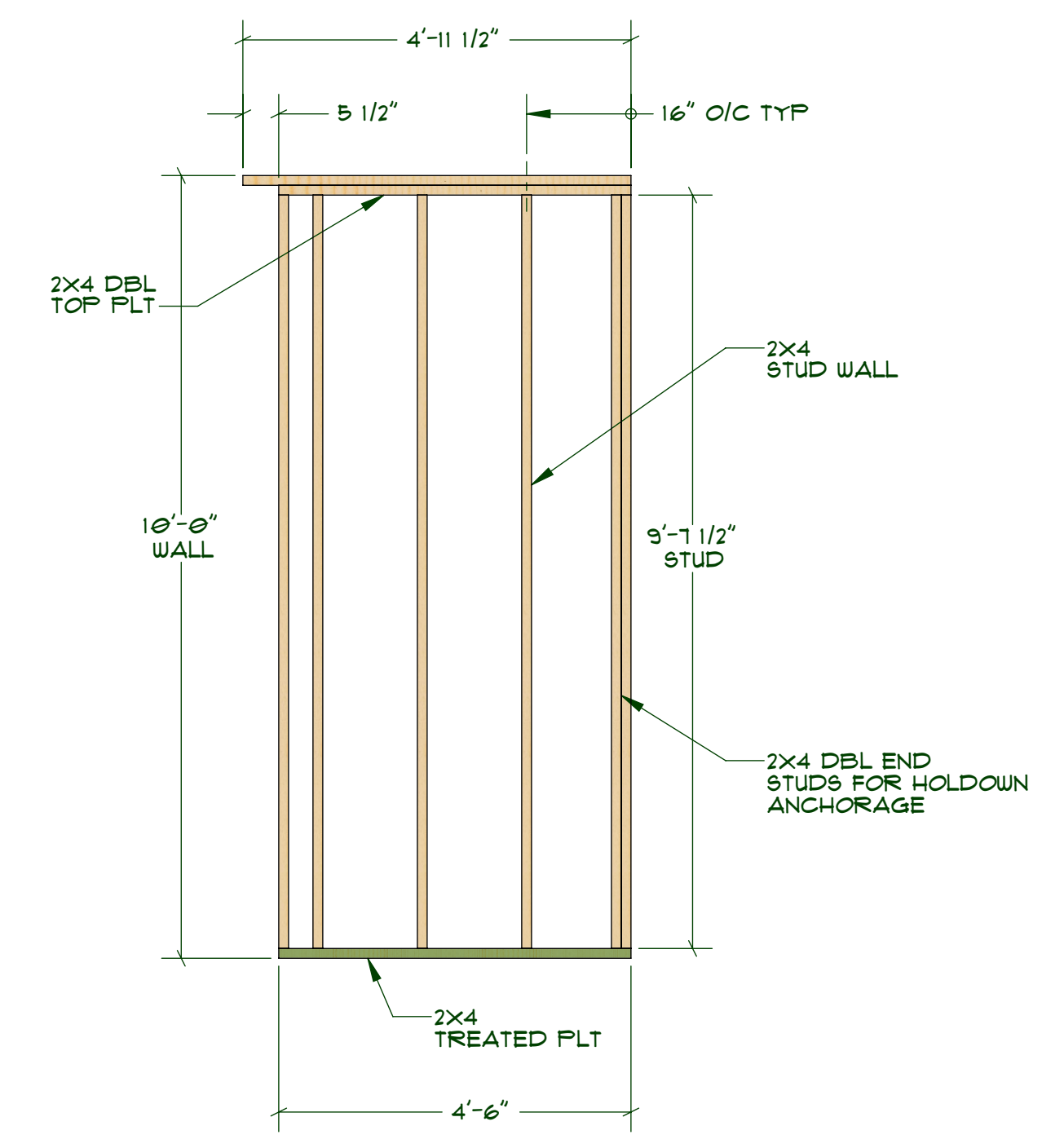
NO.	DESCRIPTION

CUSTOMER: _____
 LOCATION: _____
 SHEET _____



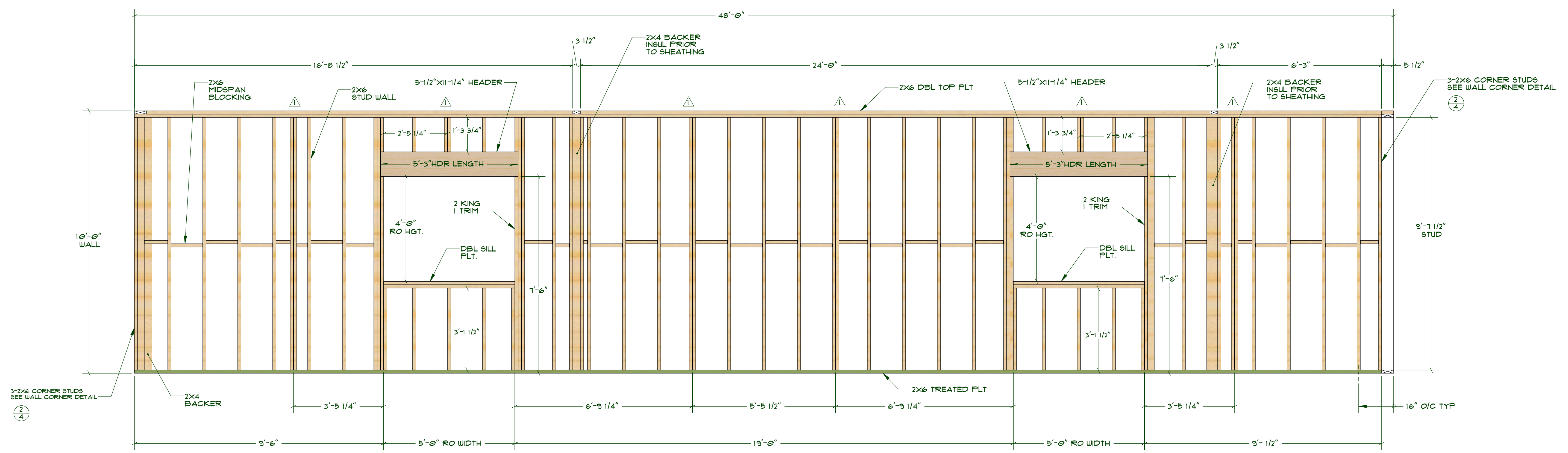
RIGHT WALL FRAMING

SCALE: 1/2" = 1'-0"



INT. BRACED WALL FRAMING

SCALE: 1/2" = 1'-0"



REAR WALL FRAMING

SCALE: 1/2" = 1'-0"

WALL FRAMING NOTES:

1. VERIFY ALL ROUGH OPENING WIDTHS AND HEIGHTS.
 2. ALL EXTERIOR WALLS 2X6 STUDS UNLESS OTHERWISE INDICATED.
 3. ALL INTERIOR WALL 2X4 STUDS UNLESS OTHERWISE INDICATED.
 4. SEE SHEET 3 FOR EMBEDDED HOLD-DOWNS PLACEMENT.
 5. EXT. WALLS 1/16 OSB SHEATHING AND NAILED W/ 8d NAILS @ 6" O/C EDGES AND 12" O/C FIELD.
- ▲ 2X6 STUD REIN. FOR VERTICAL LOAD TRANSFER OF GIRDER TRUSSES.