



MEDEEK DESIGN
INC.
1000 W. GARDNER BLVD. SUITE 100
MILWAUKEE, WI 53224
TEL: 414.441.1000
WWW.MEDEEKDESIGN.COM

PLAN NO.
GARAGE4828B-A6D-3
SCALE: 1/8" = 1'-0"

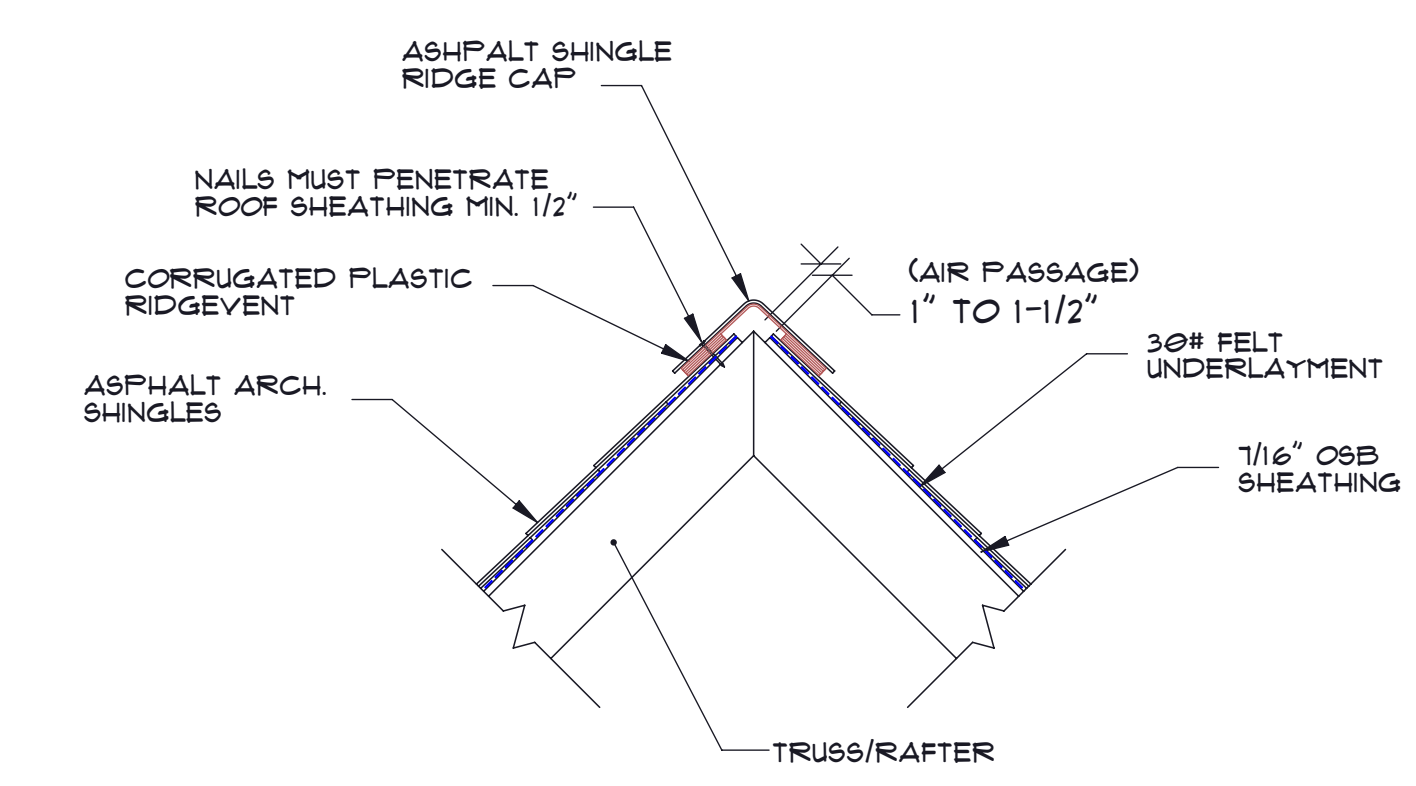
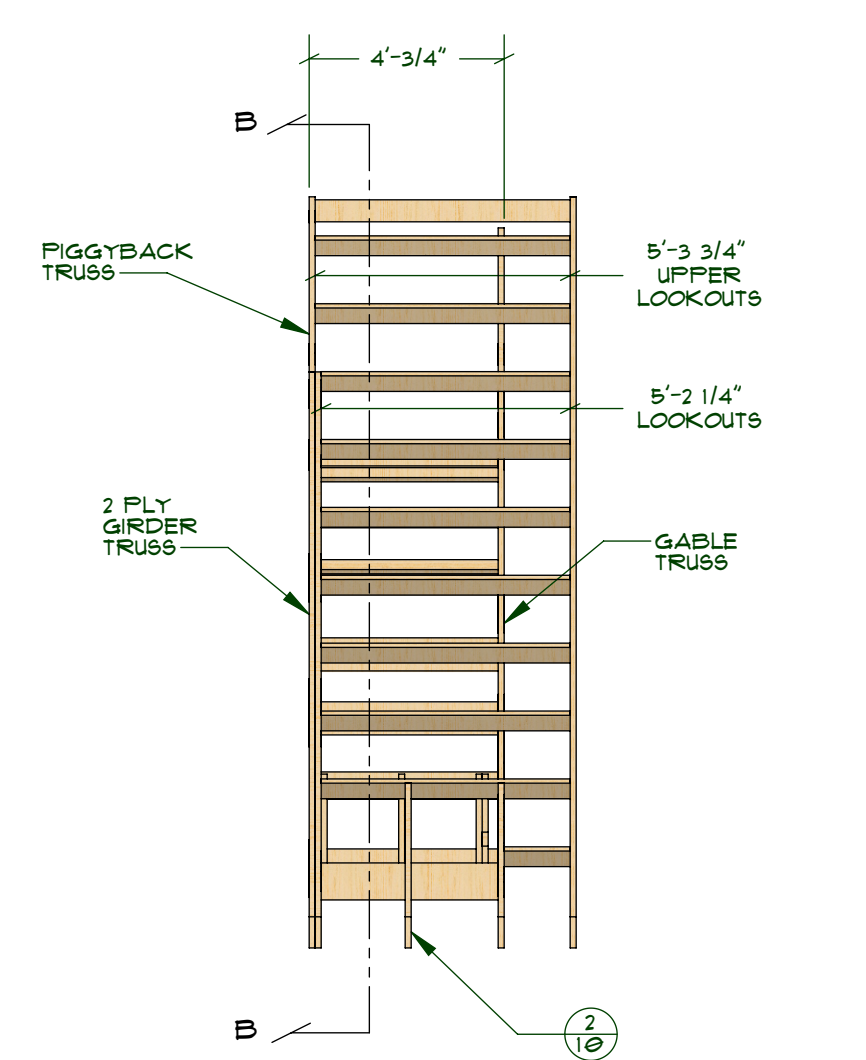
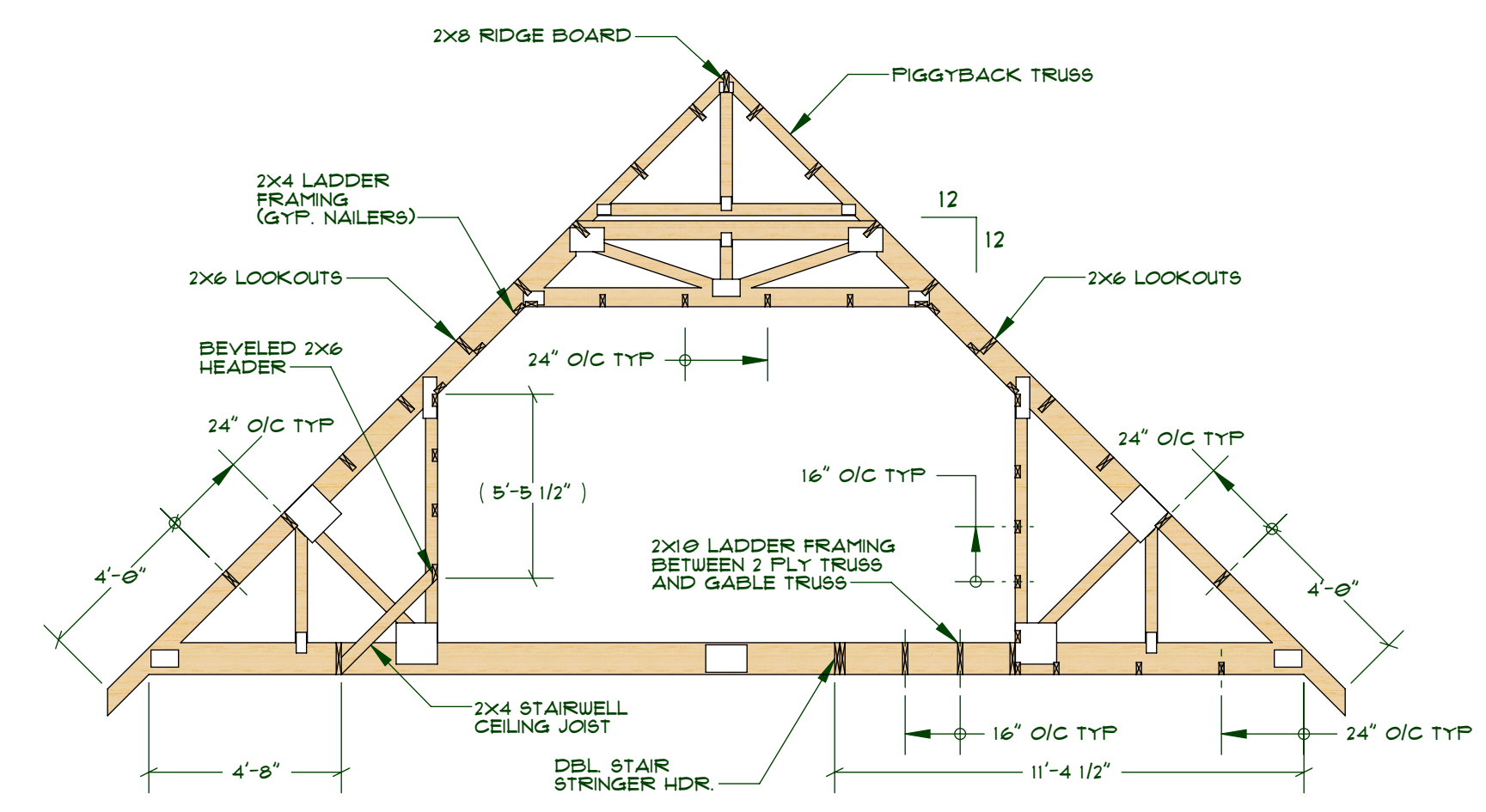
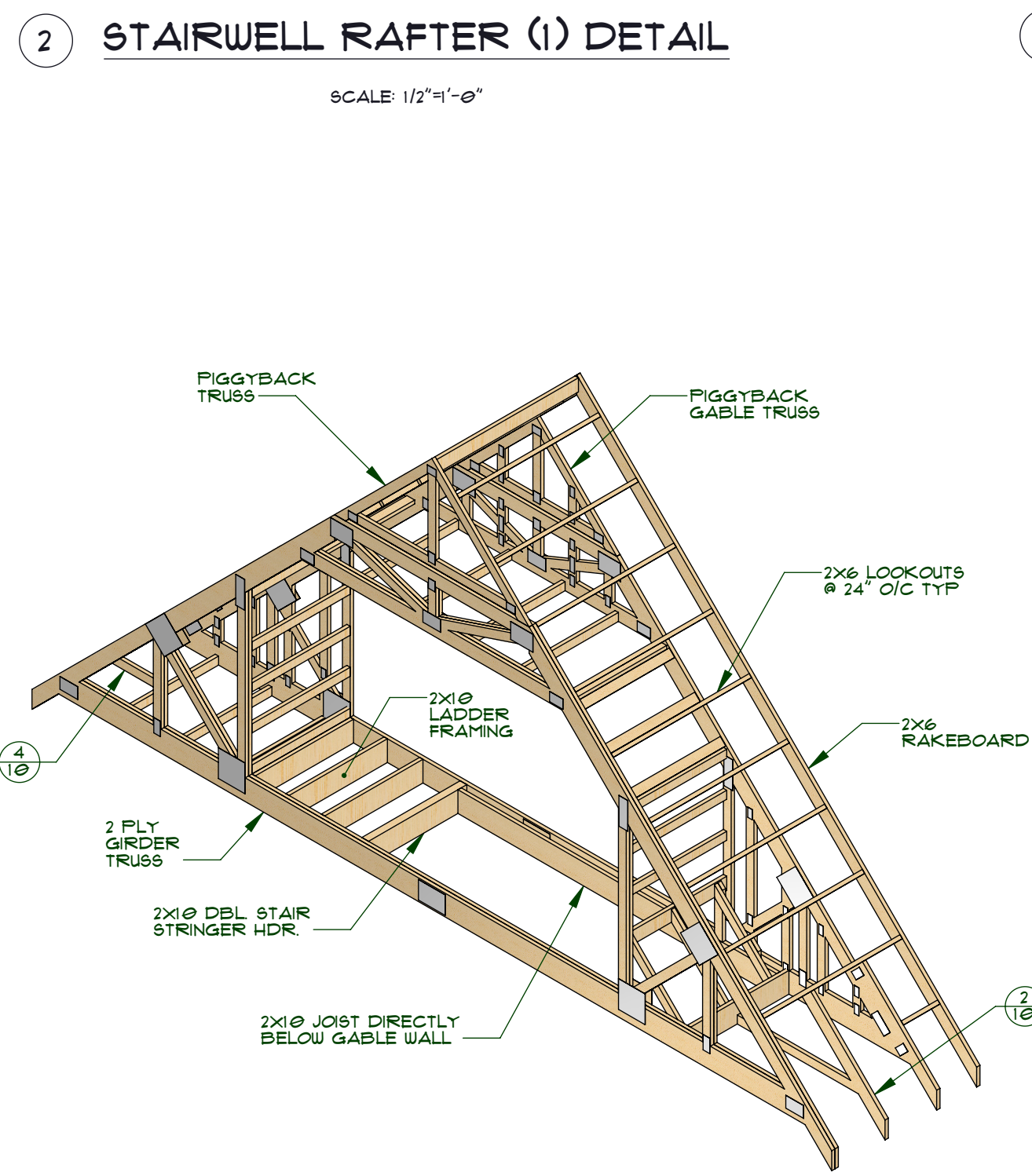
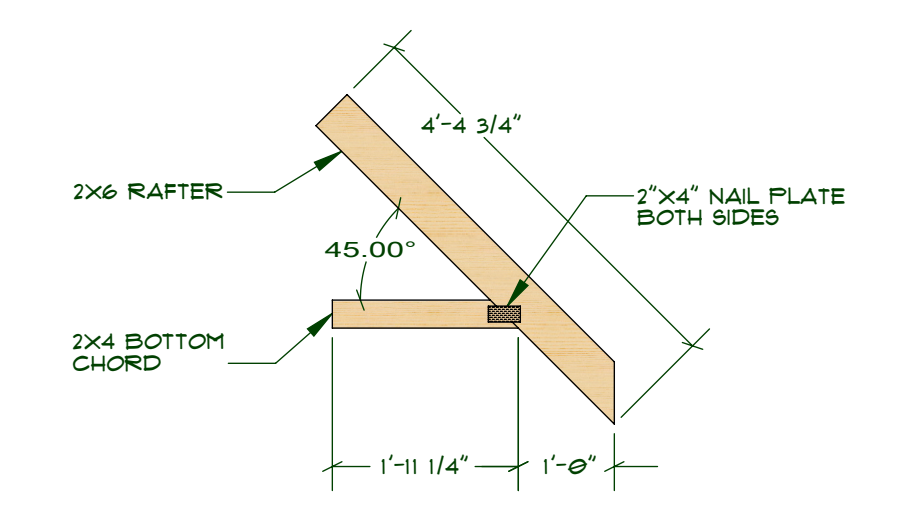
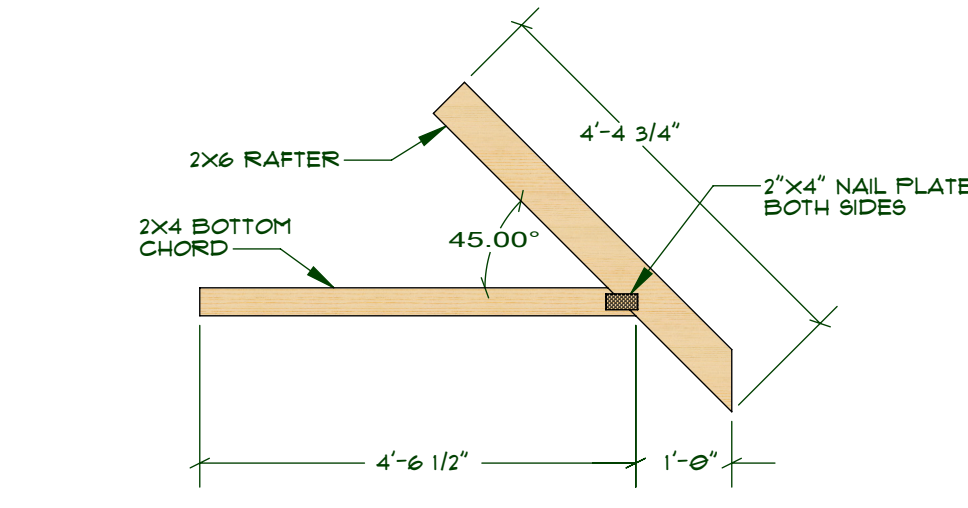
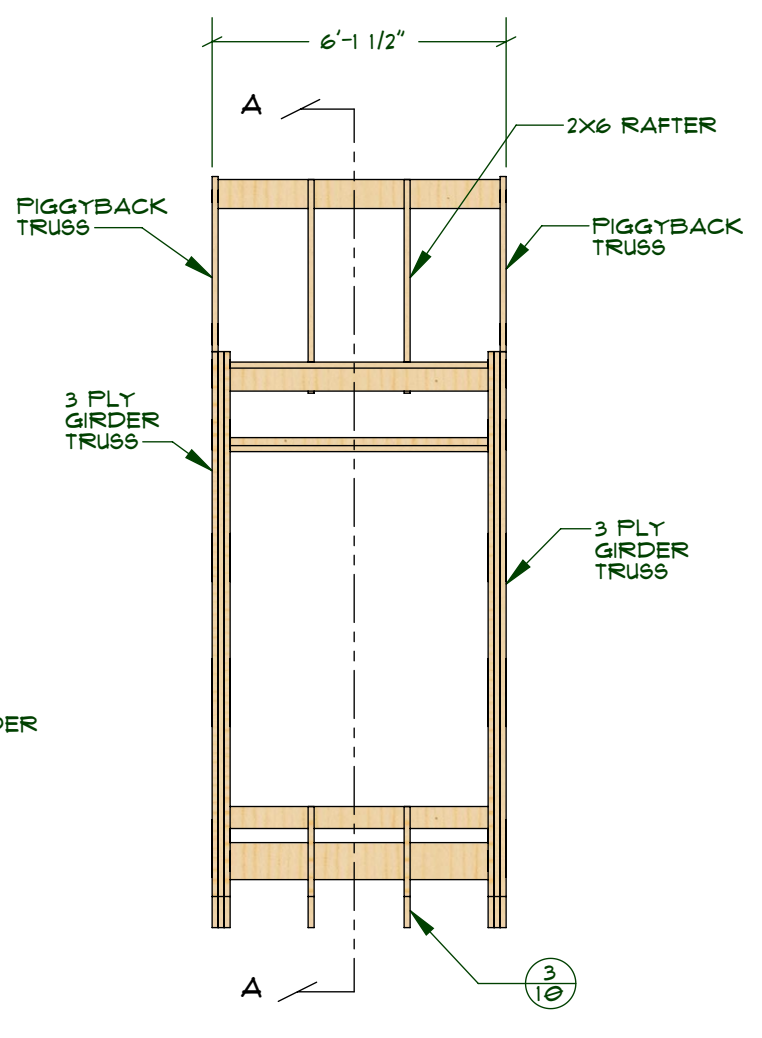
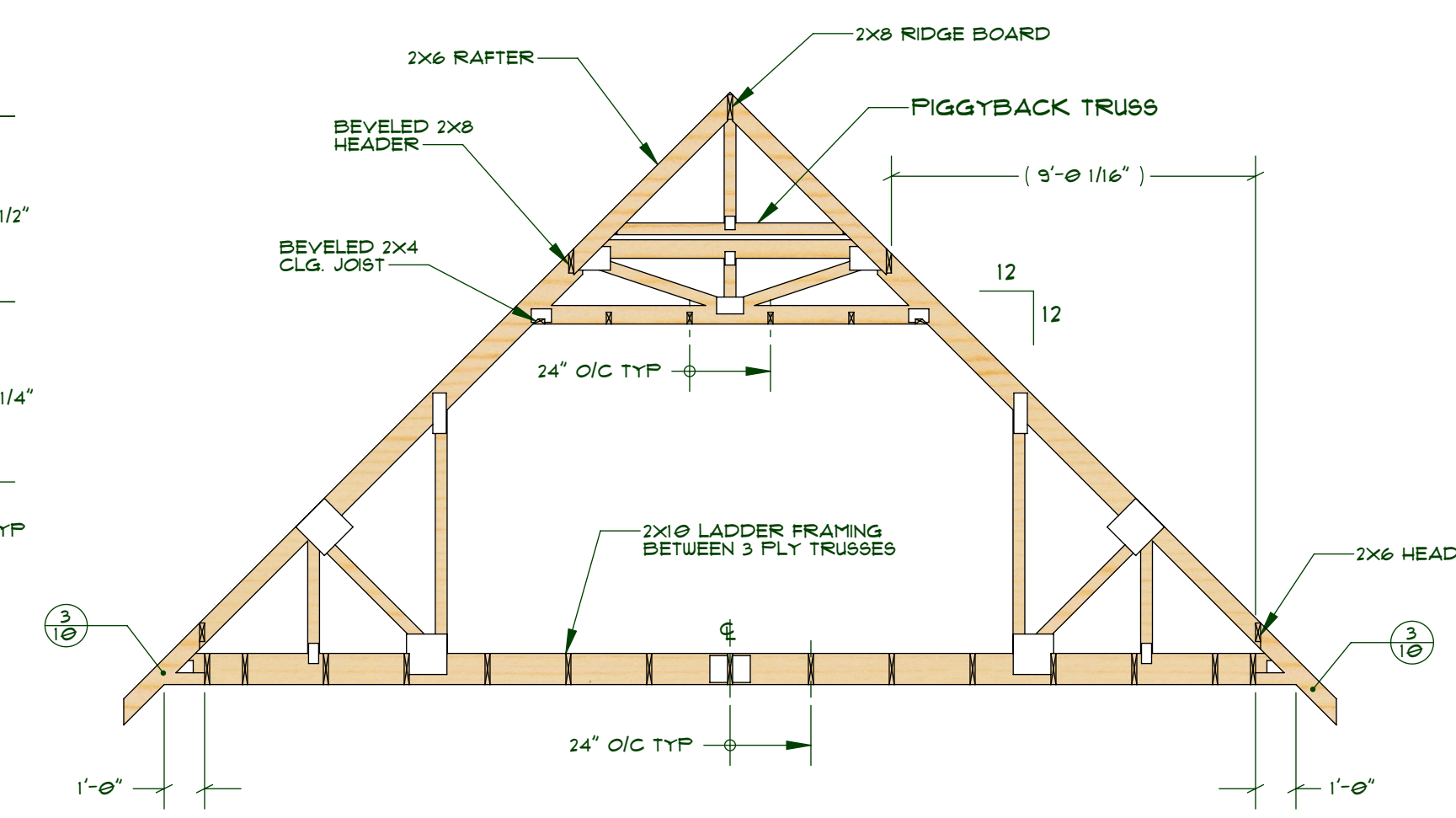
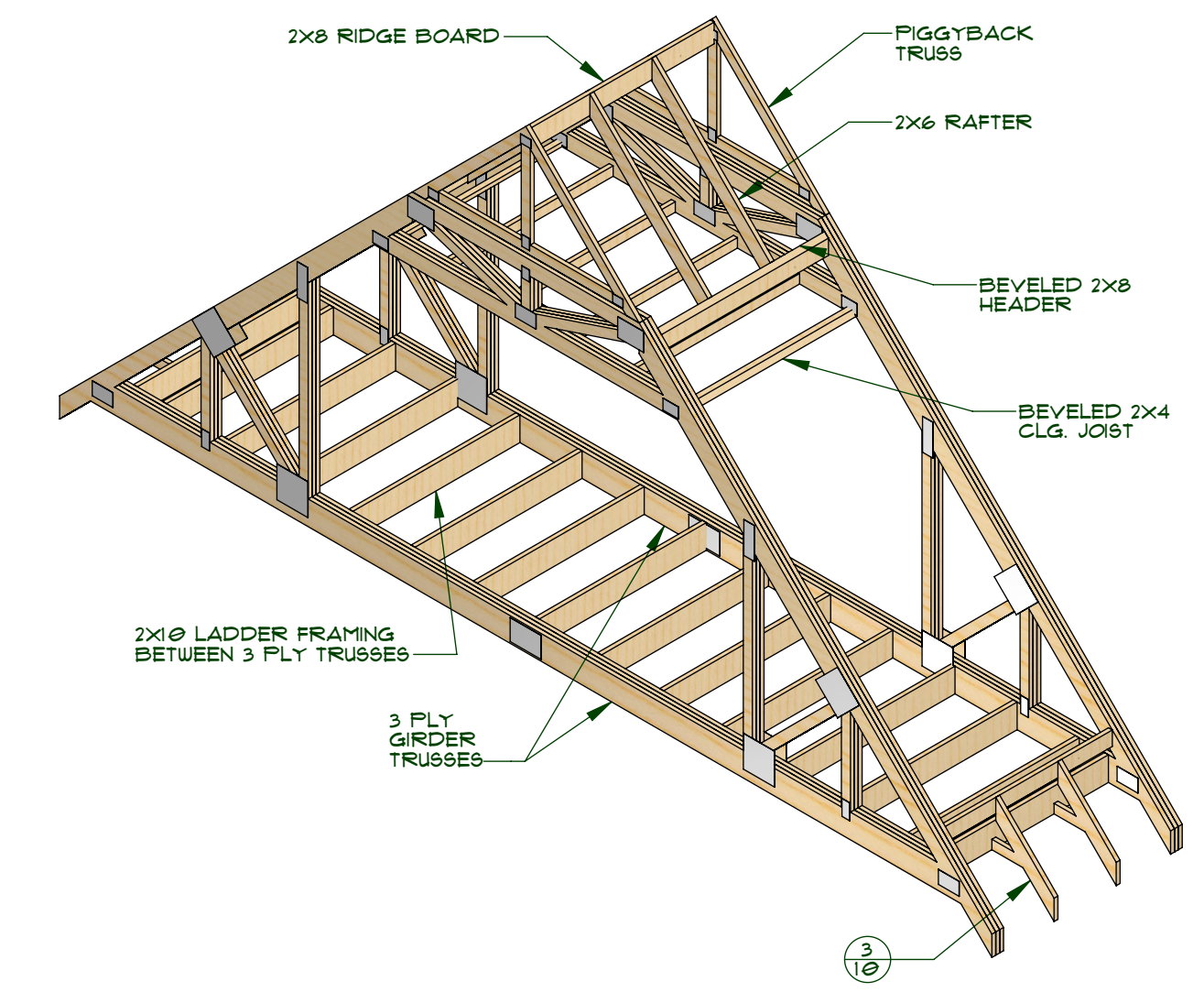
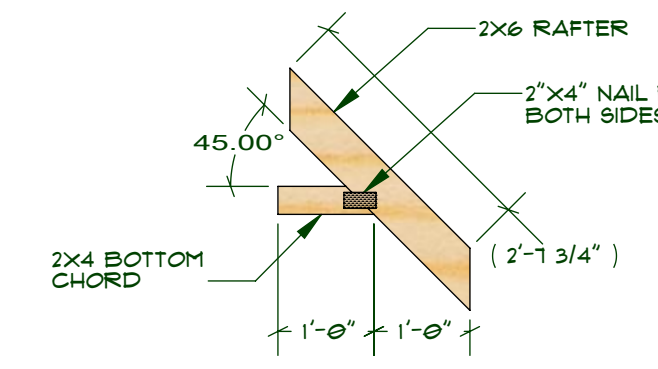
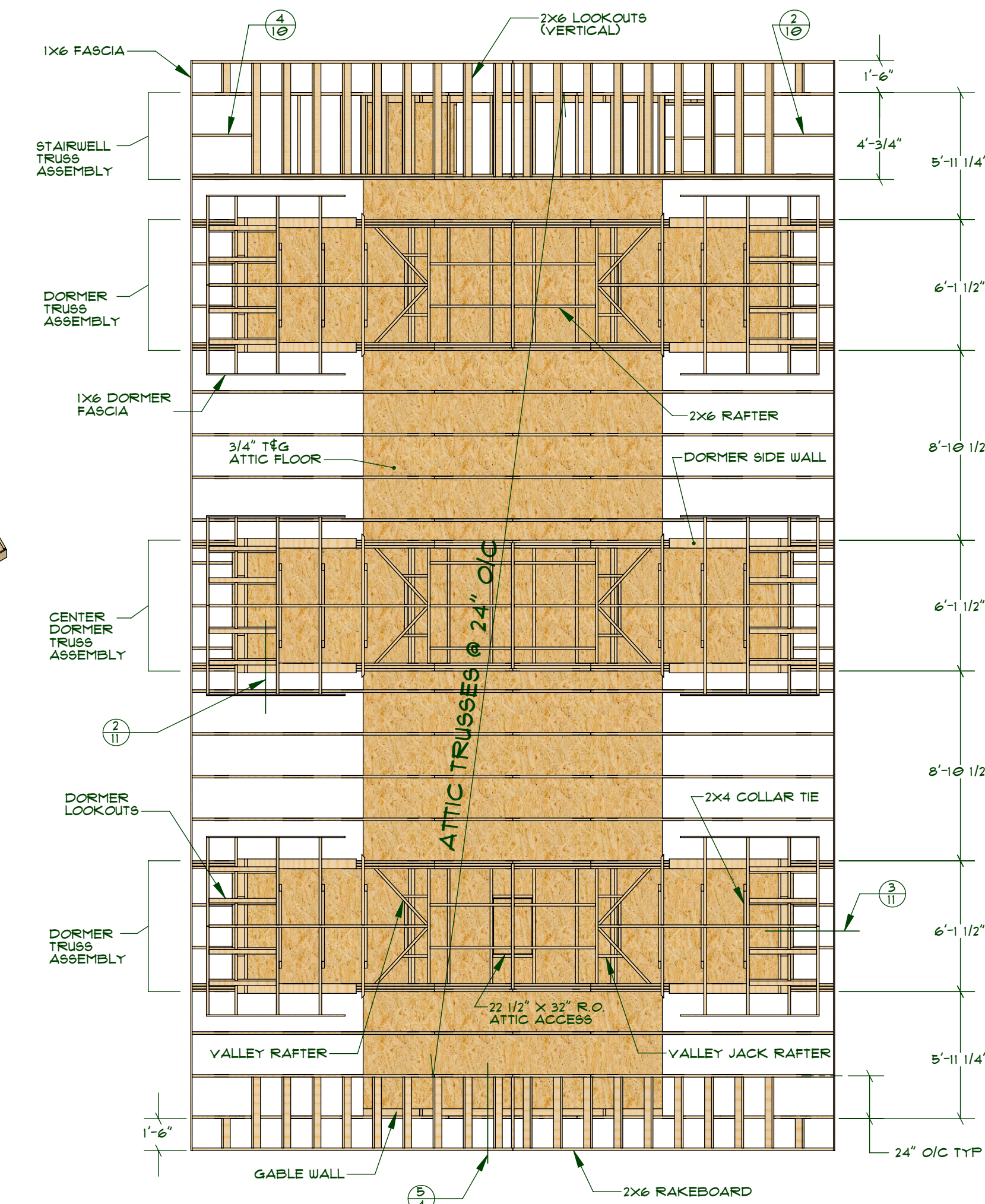
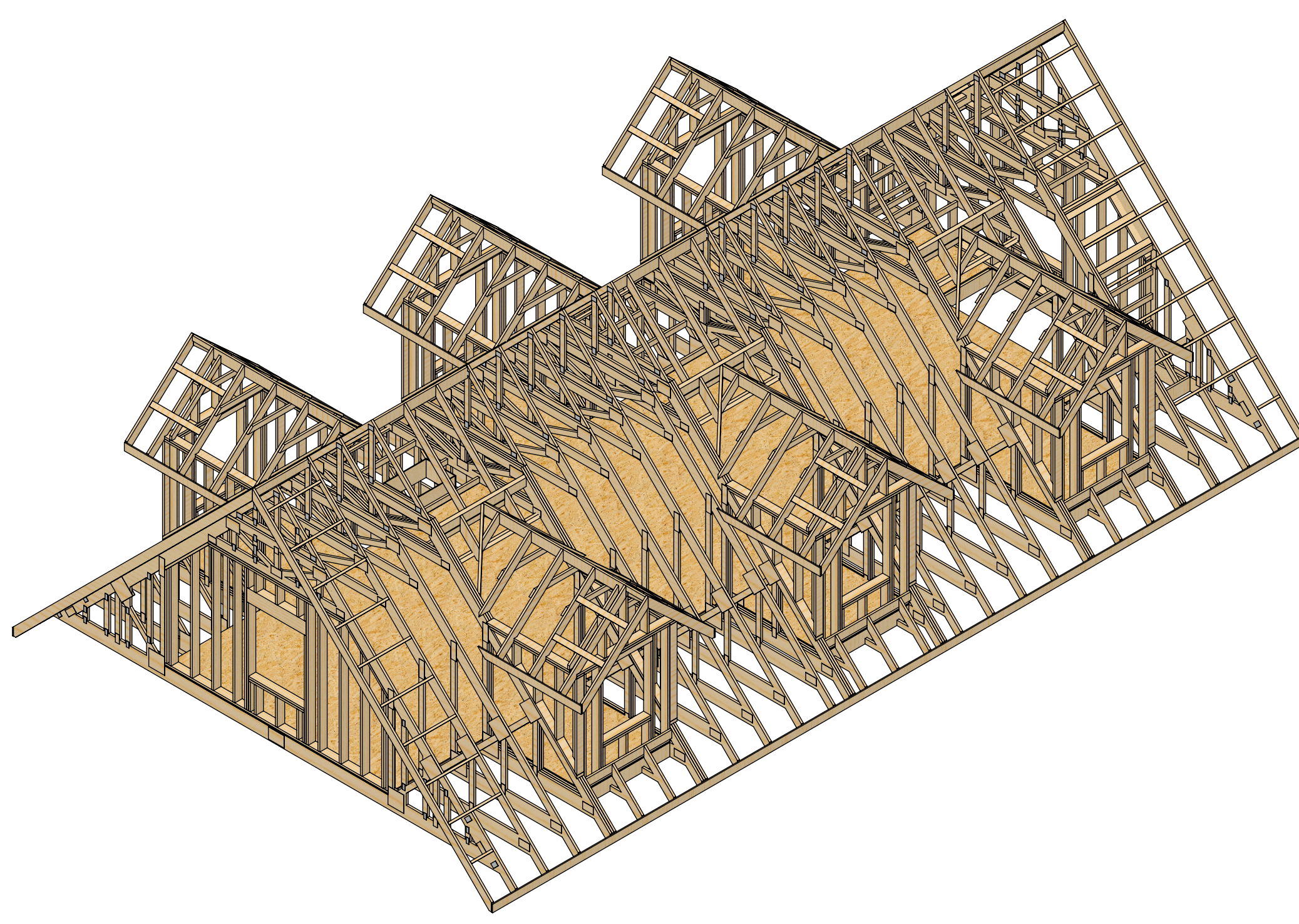
DESIGNED BY:
NFW
DATE:
5/2/2013

ROOF FRAMING PLAN

SHEET CONTENTS:

REVISION HISTORY:

CUSTOMER: LOCATION: SHEET



- ROOF FRAMING NOTES:**
- SPACE KNEEWALL RAFTERS @ 24" O/C WITH TRUSSES
 - ROOF SHEATHING TO BE 1/2" OSB NAILED W/ 8D NAILS @ 6" O/C EDGES AND 12" O/C FIELD USE H-CLIPS CENTERED BETWEEN TRUSSES AT SHEET EDGES
 - PRE-ASSEMBLE TRUSS ASSEMBLIES ON GROUND AND LIFT INTO PLACE WITH CRANE
 - USE 88T JOIST HANGERS FOR ATTIC FLOOR JOISTS, DORMER HEADERS AND CEILING JOISTS: HU20, HU20-2, HU28, HU26