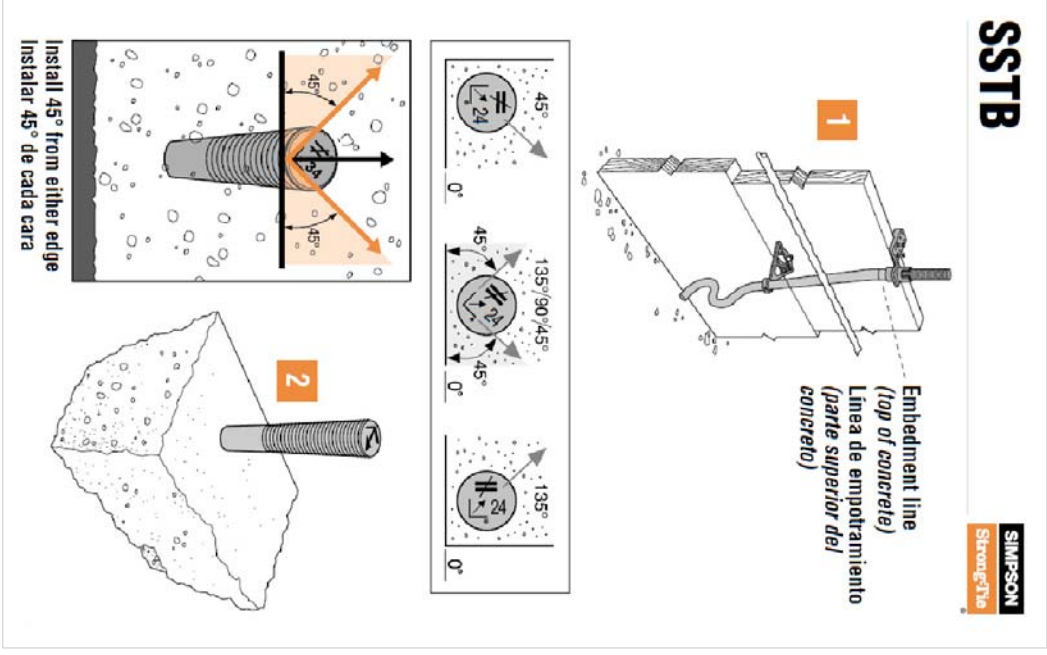
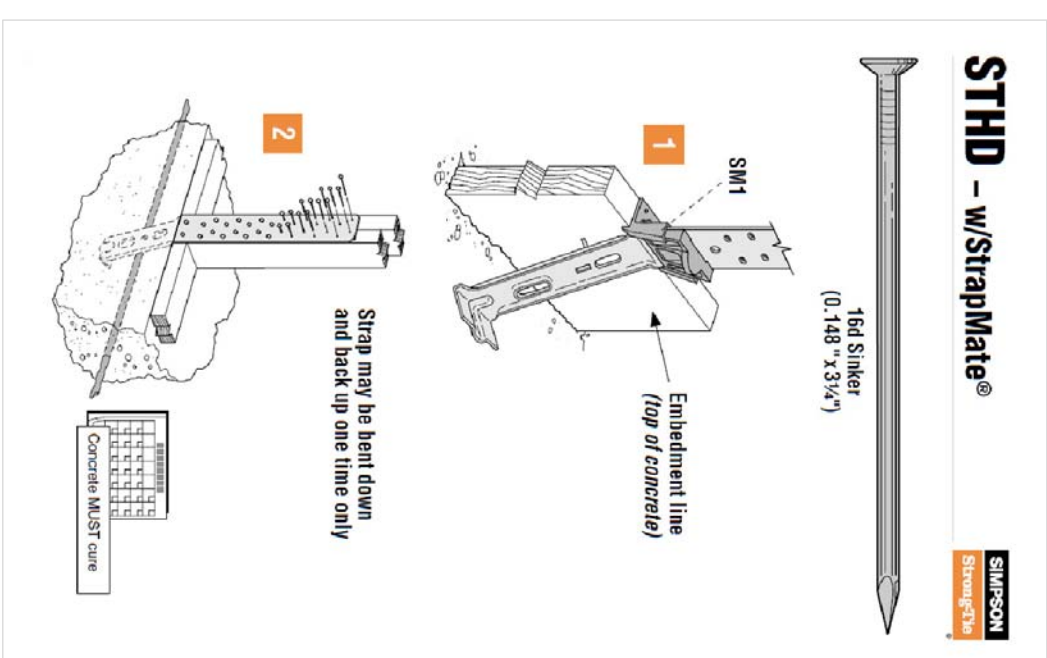


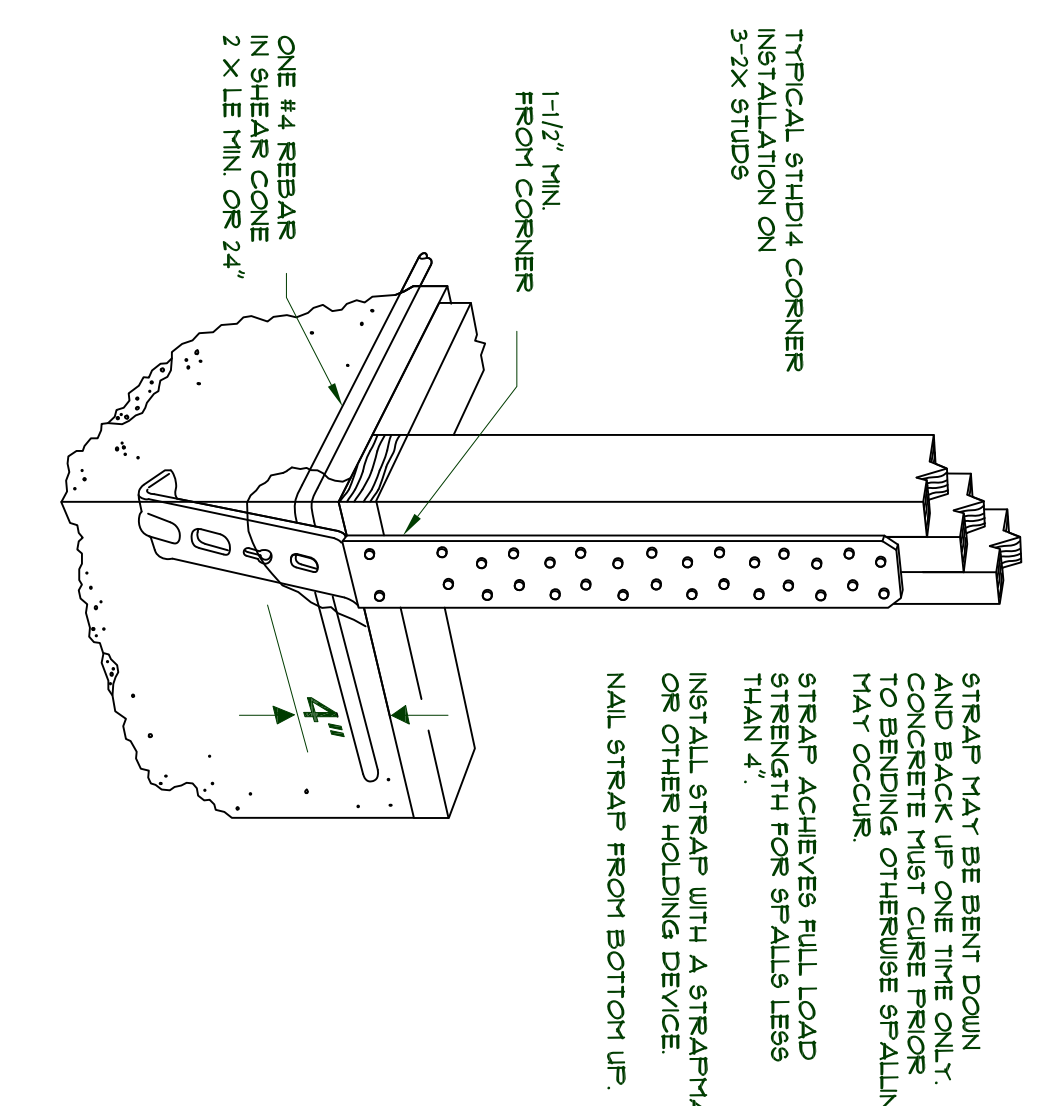
5 HDQ8 INSTALLATION DETAILS



6 SSTB INSTALLATION DETAILS

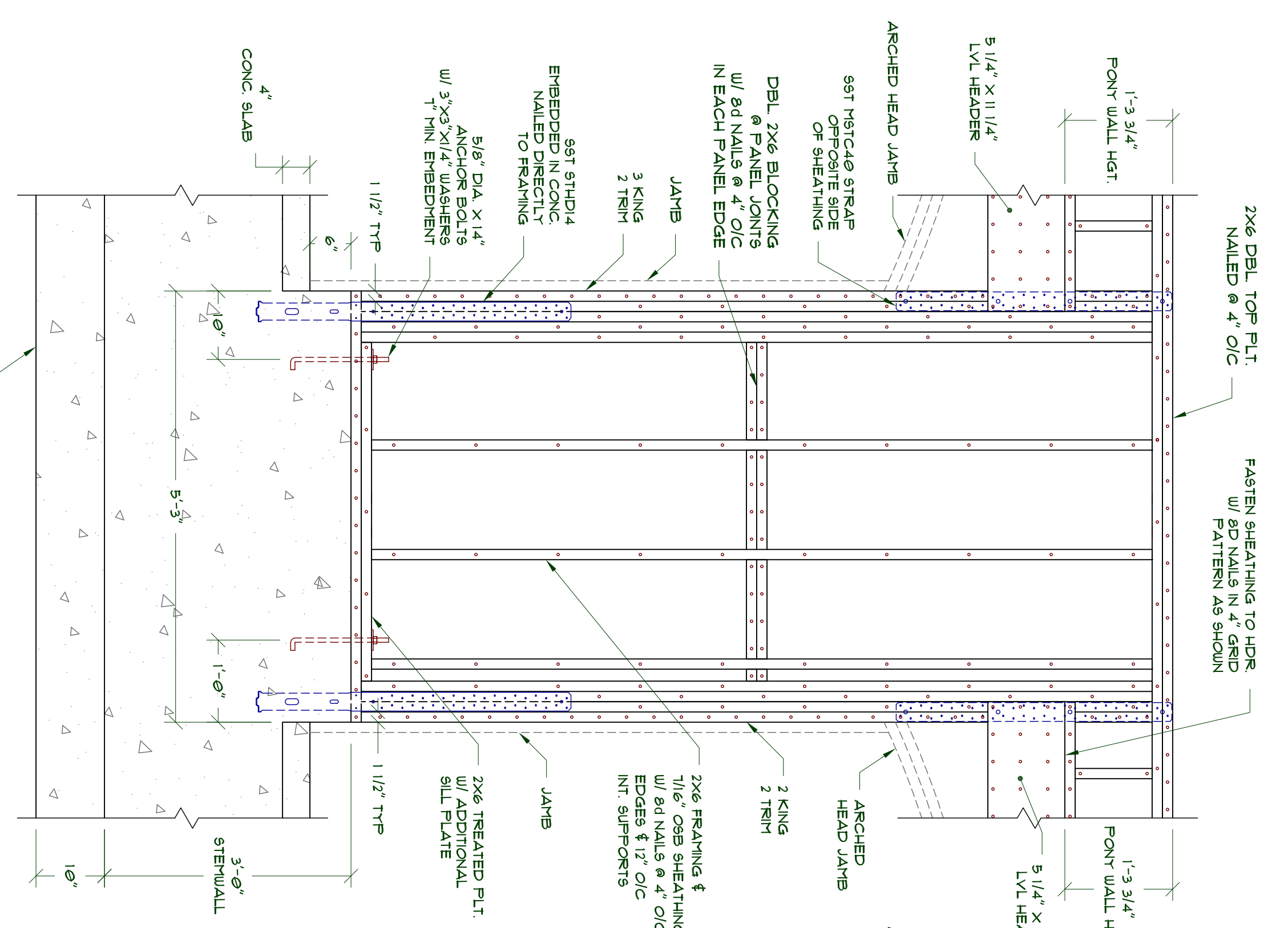


7 STHD4 INSTALLATION DETAILS

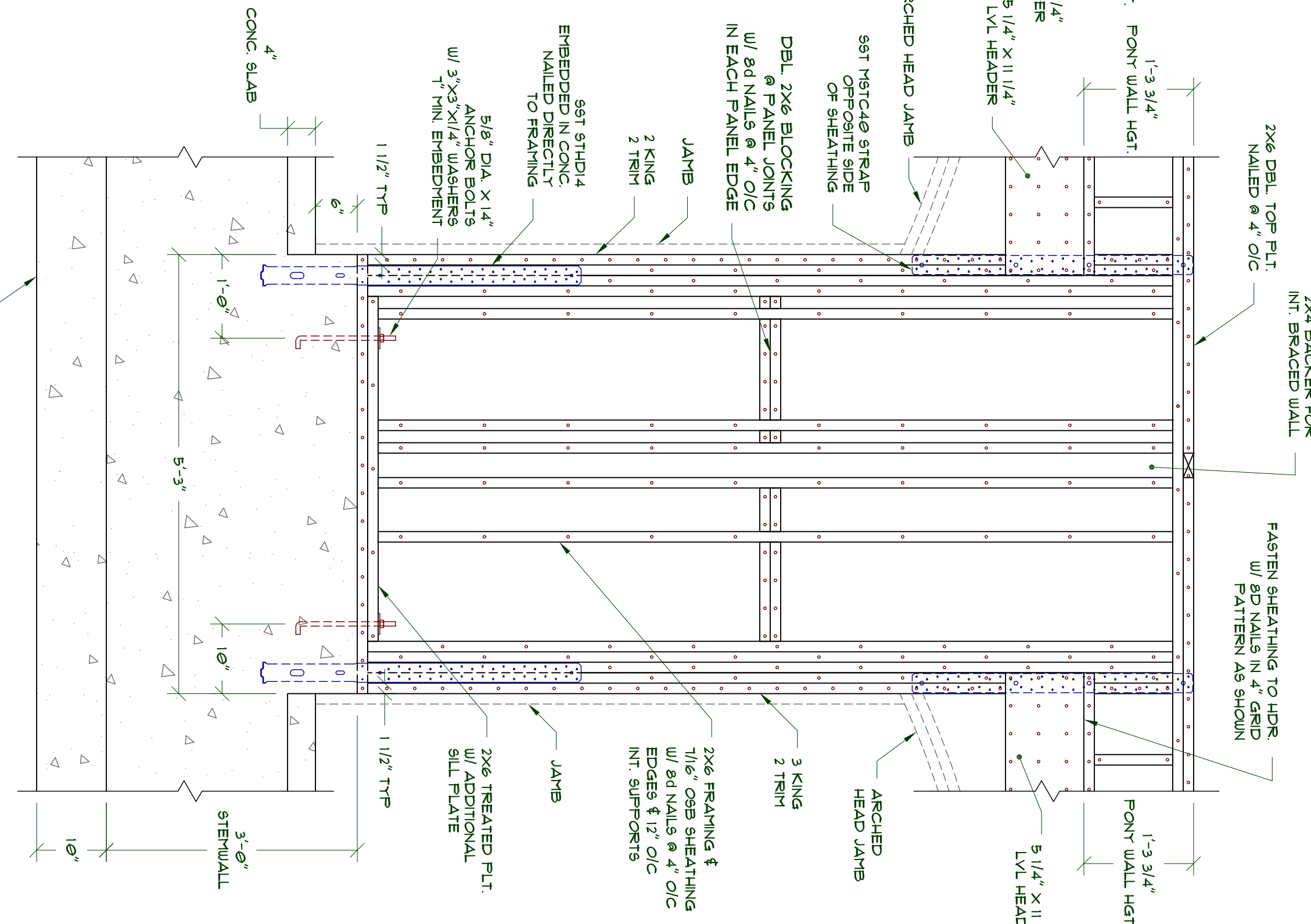


8 STHD4 CORNER INSTALL DETAILS

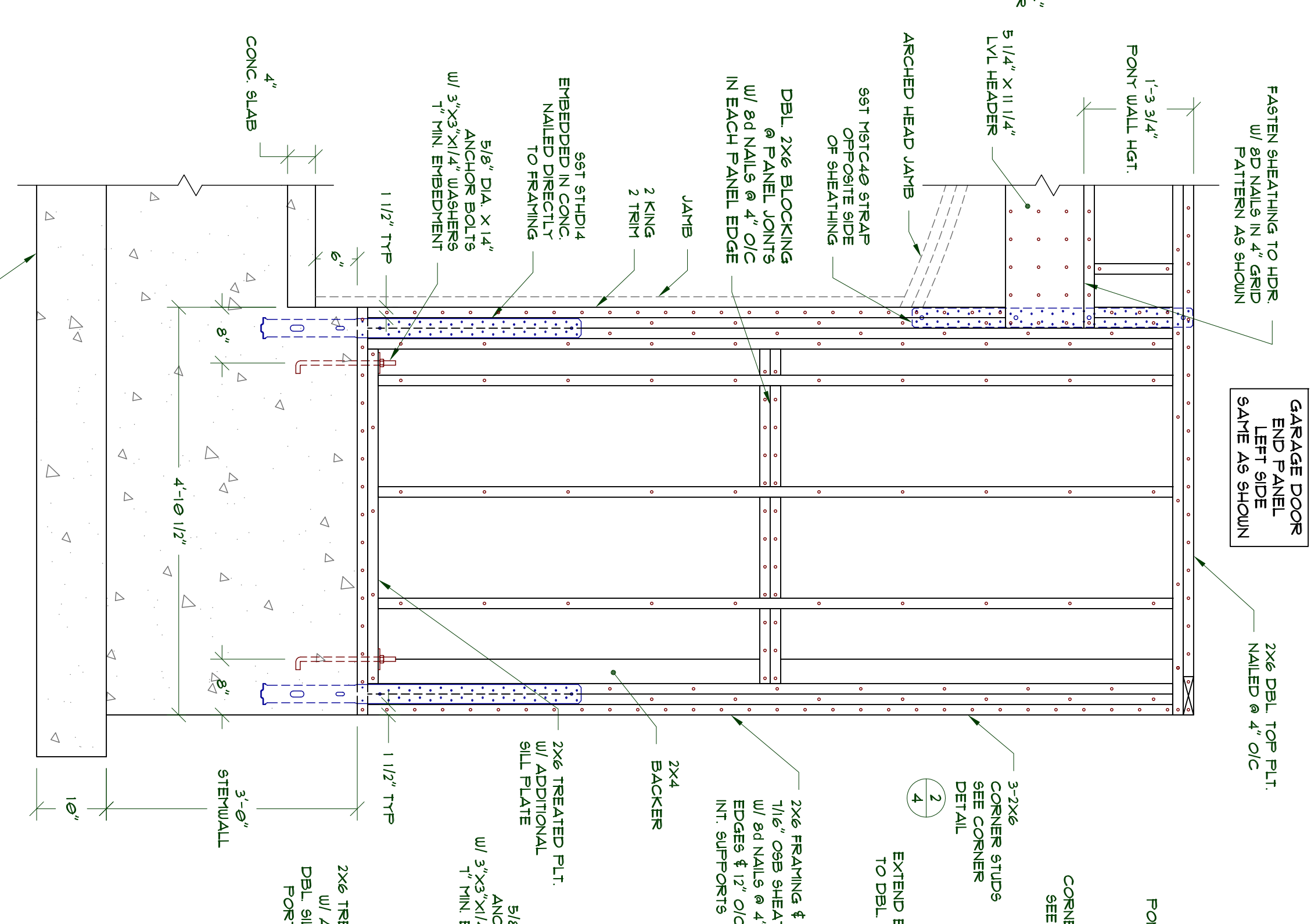
- FRAMING DETAIL NOTES:**
1. VERIFY ROUGH OPENING DIMENSIONS FOR ALL STUDS AND STRAPS INTO PRECAST CONCRETE. ALL FASTENERS INTO PRECAST CONCRETE MUST BE HOT DIPPED GALV. LUBER SHALL BE HOT DIPPED GALV. IF (1) STUDS BELOW FOR BEARING. (2) STUDS BELOW FOR ANY INTERIOR PARTITION WALLS, KITCHENS AND BATHS. CONTRACTORS SHALL VERIFY MISSING OR INCORRECT DIMENSIONS WITH HEDECK DESIGN.



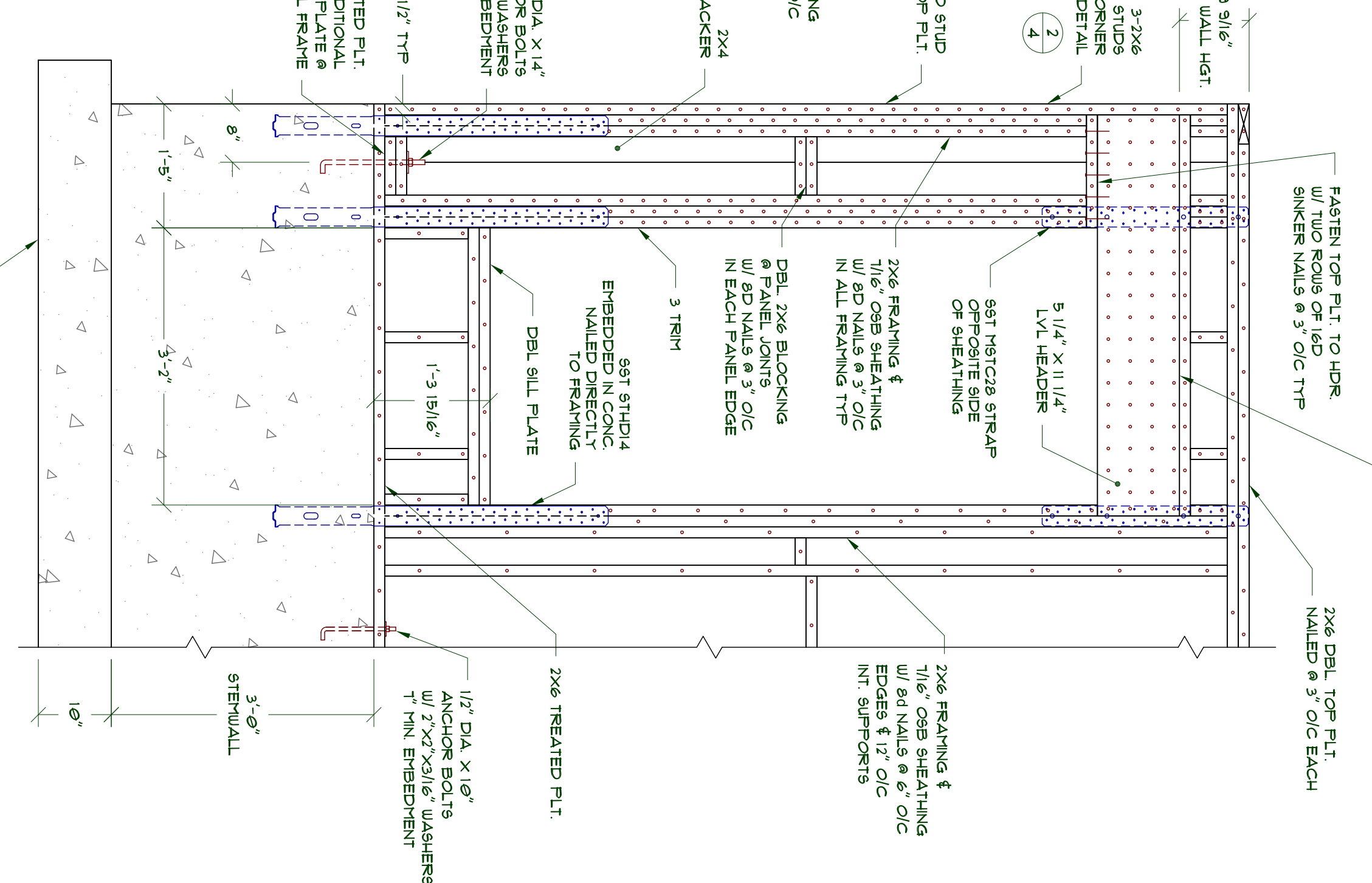
2 GARAGE DOOR SEPARATOR 1  
SCALE 3/4"=1'-0"



3 GARAGE DOOR SEPARATOR 2  
SCALE 3/4"=1'-0"



1 GARAGE DOOR END PANEL (RIGHT)  
SCALE 3/4"=1'-0"



4 ENTRY DOOR END PANEL  
SCALE 3/4"=1'-0"