



MEDEEK DESIGN
 INC.
 1000 S. 1000 E.
 SUITE 100
 DUBLIN, OH 43017
 (614) 891-1100
 WWW.MEDEEKDESIGN.COM

PLAN NO. **GARAGE4828B-A6D-3**
 SCALE 1/4" = 1'-0"

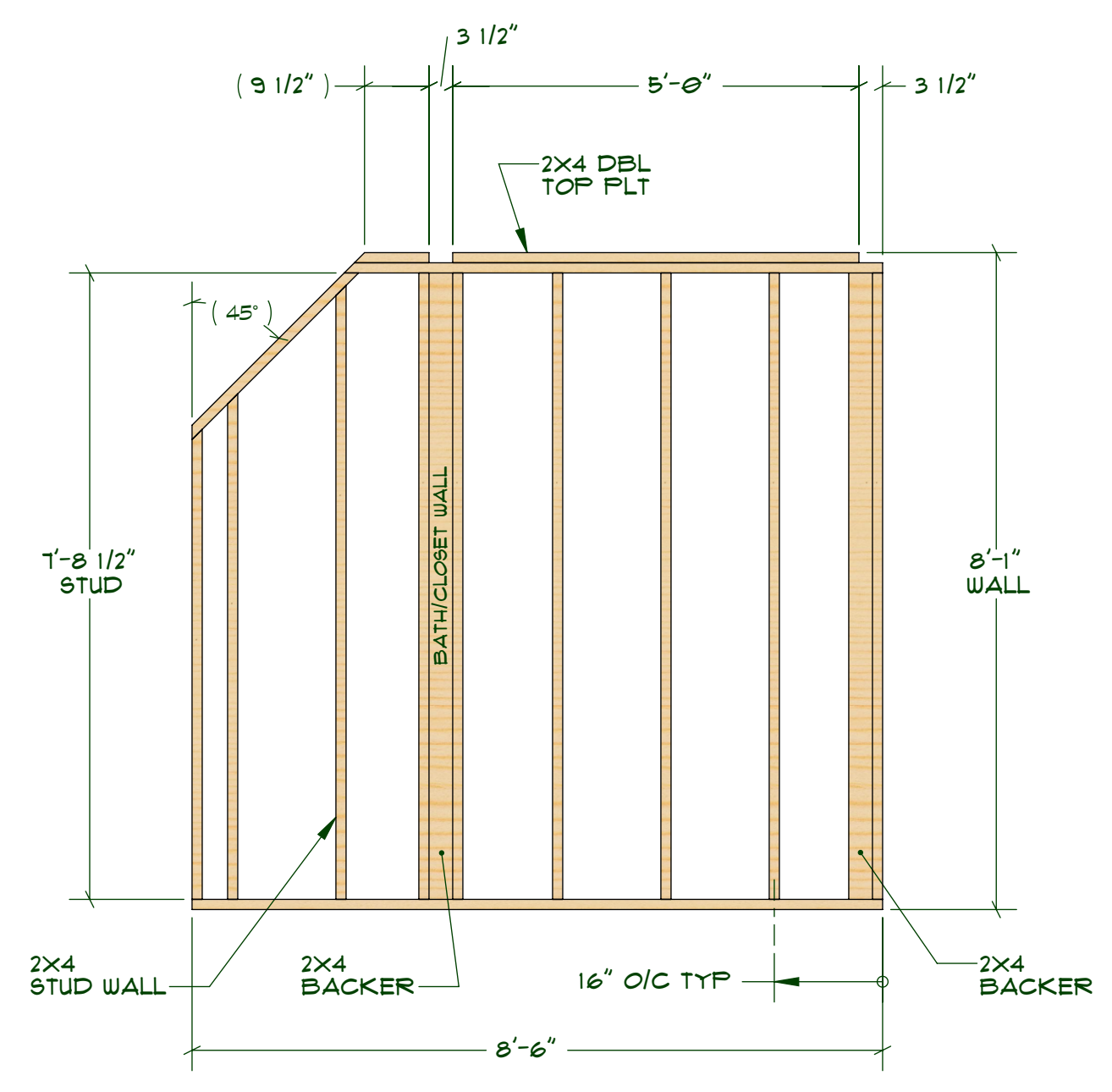
DESIGNED BY: **NPW**
 DATE: **5/9/2013**

SHEET CONTENTS:
ALT. WALL FRAMING ELEVATIONS (2)

REVISION HISTORY:

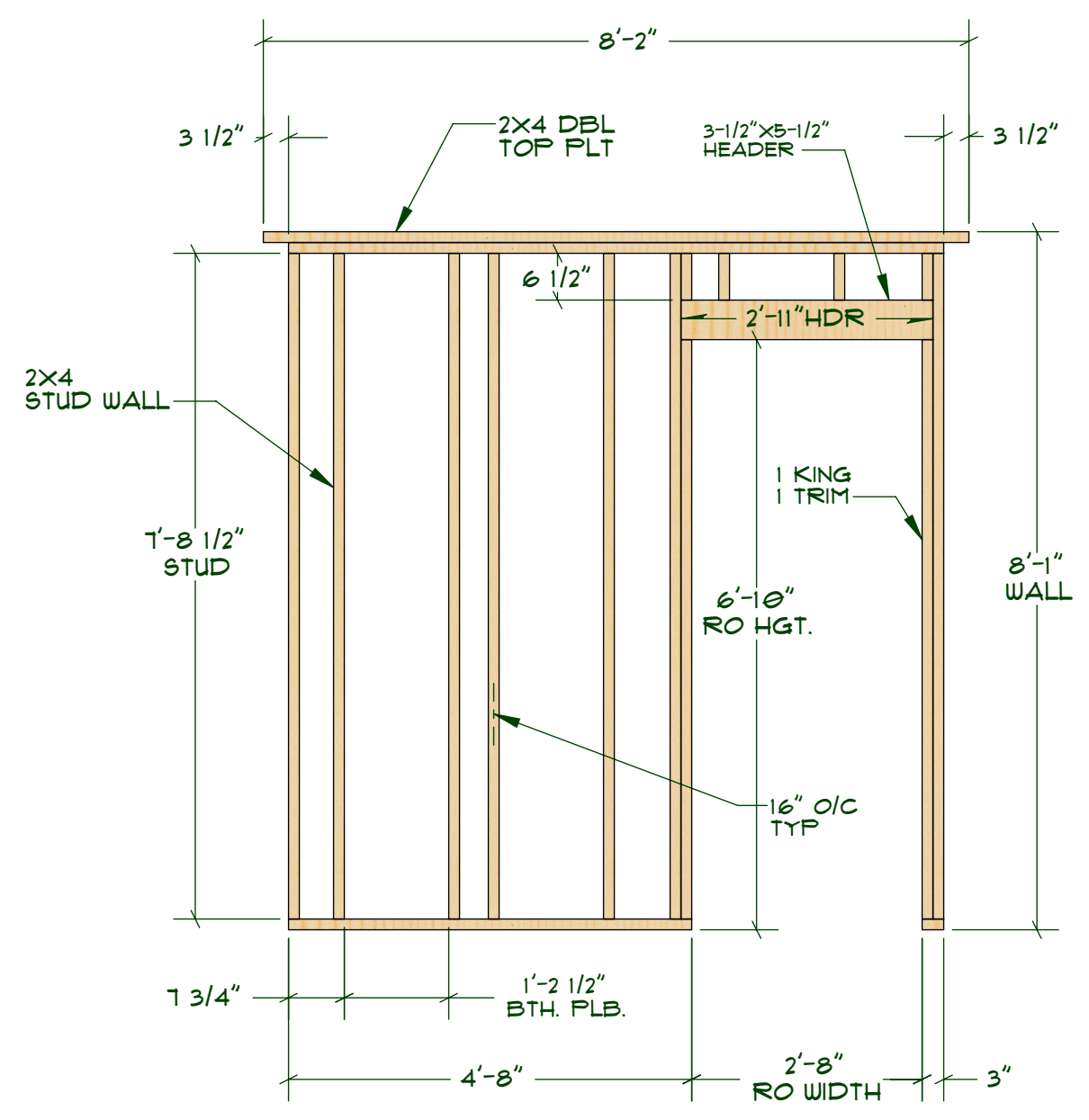
CUSTOMER:
 LOCATION:

SHEET
18
 OF 19



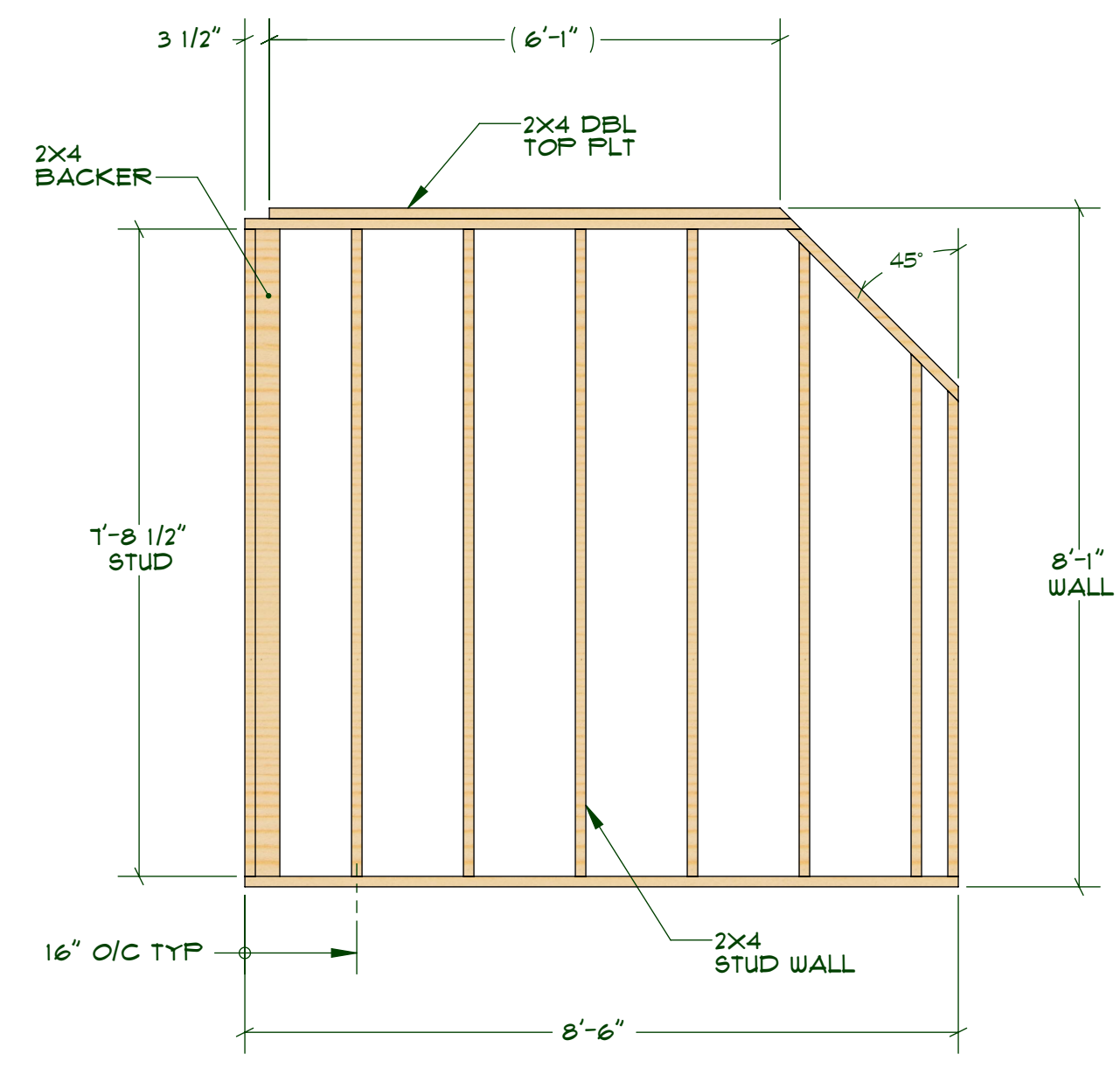
BATHROOM STAIRWALL FRAMING

SCALE: 1/2"=1'-0"



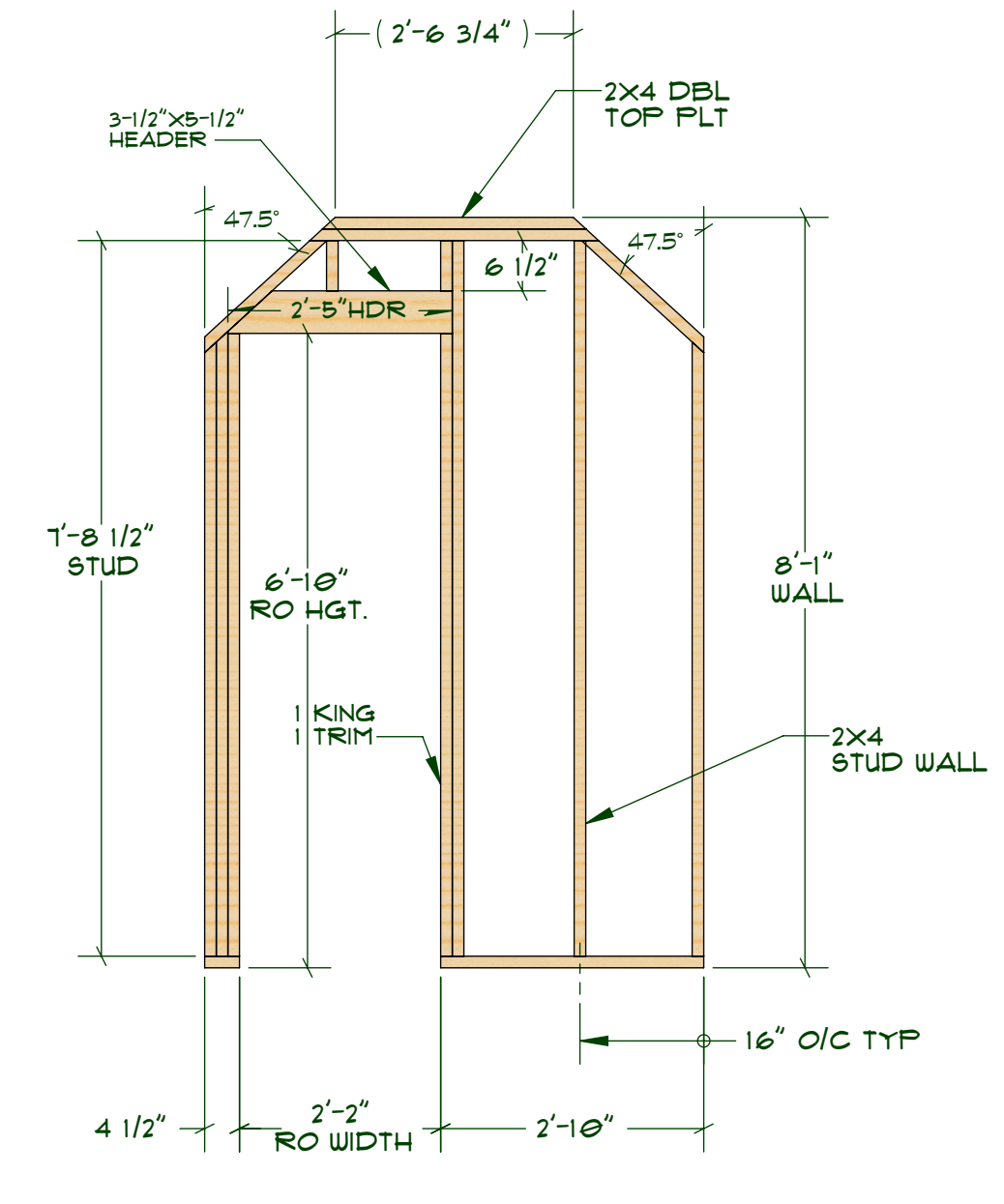
BATHROOM WALL FRAMING

SCALE: 1/2"=1'-0"



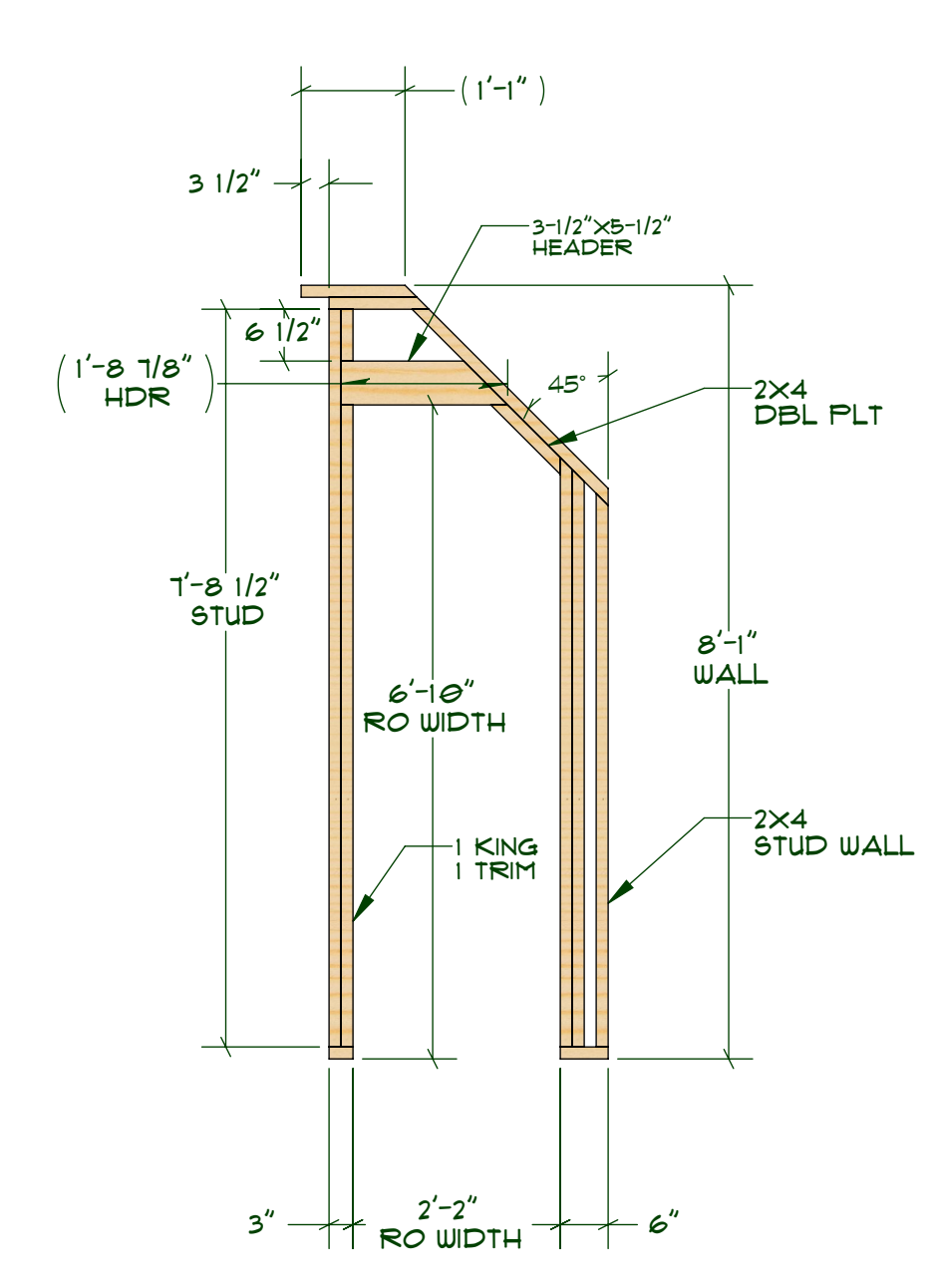
BATHROOM SIDEWALL FRAMING

SCALE: 1/2"=1'-0"



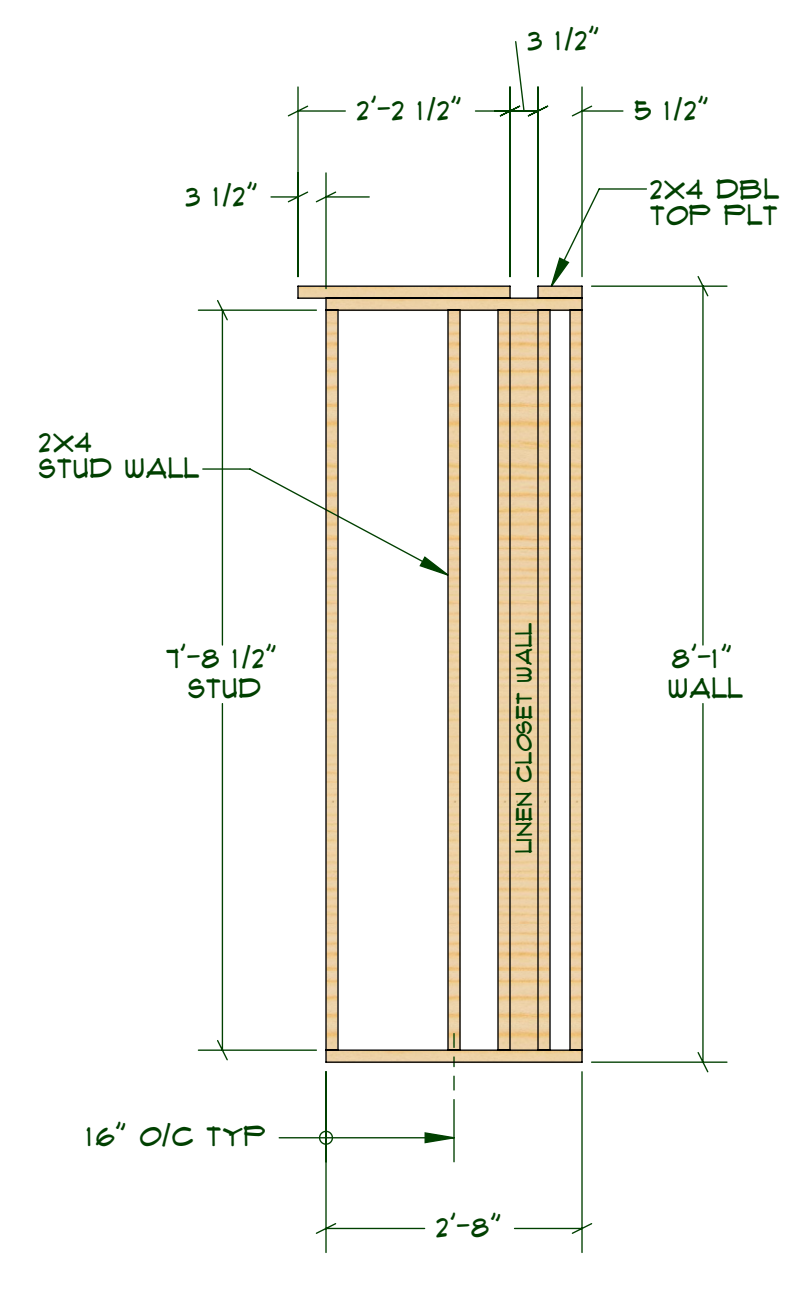
WATER CLOSET WALL FRAMING

SCALE: 1/2"=1'-0"



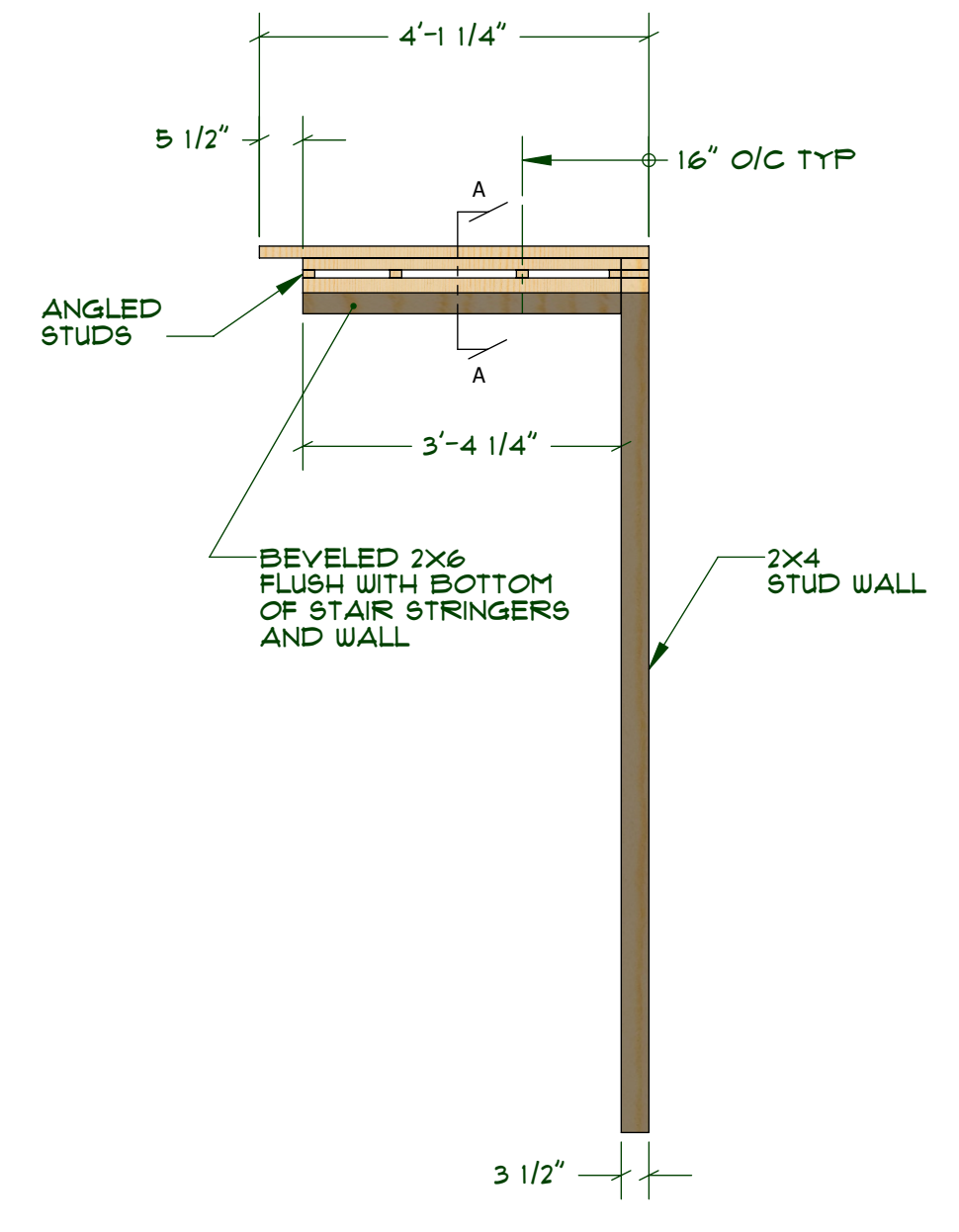
LINEN CLOSET WALL FRAMING

SCALE: 1/2"=1'-0"



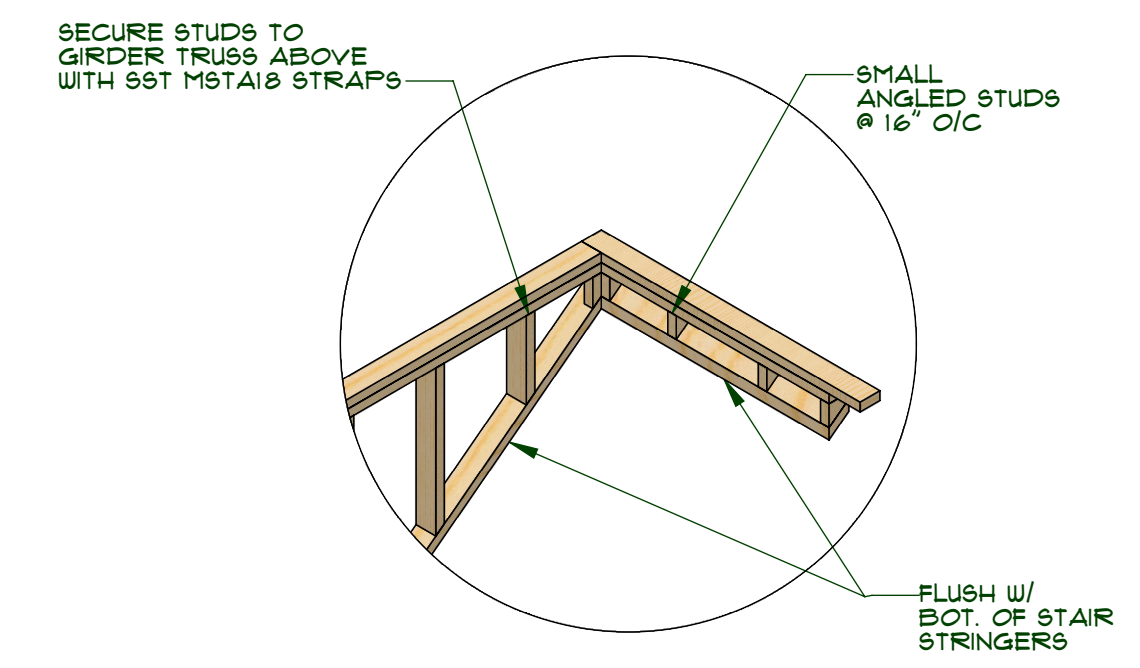
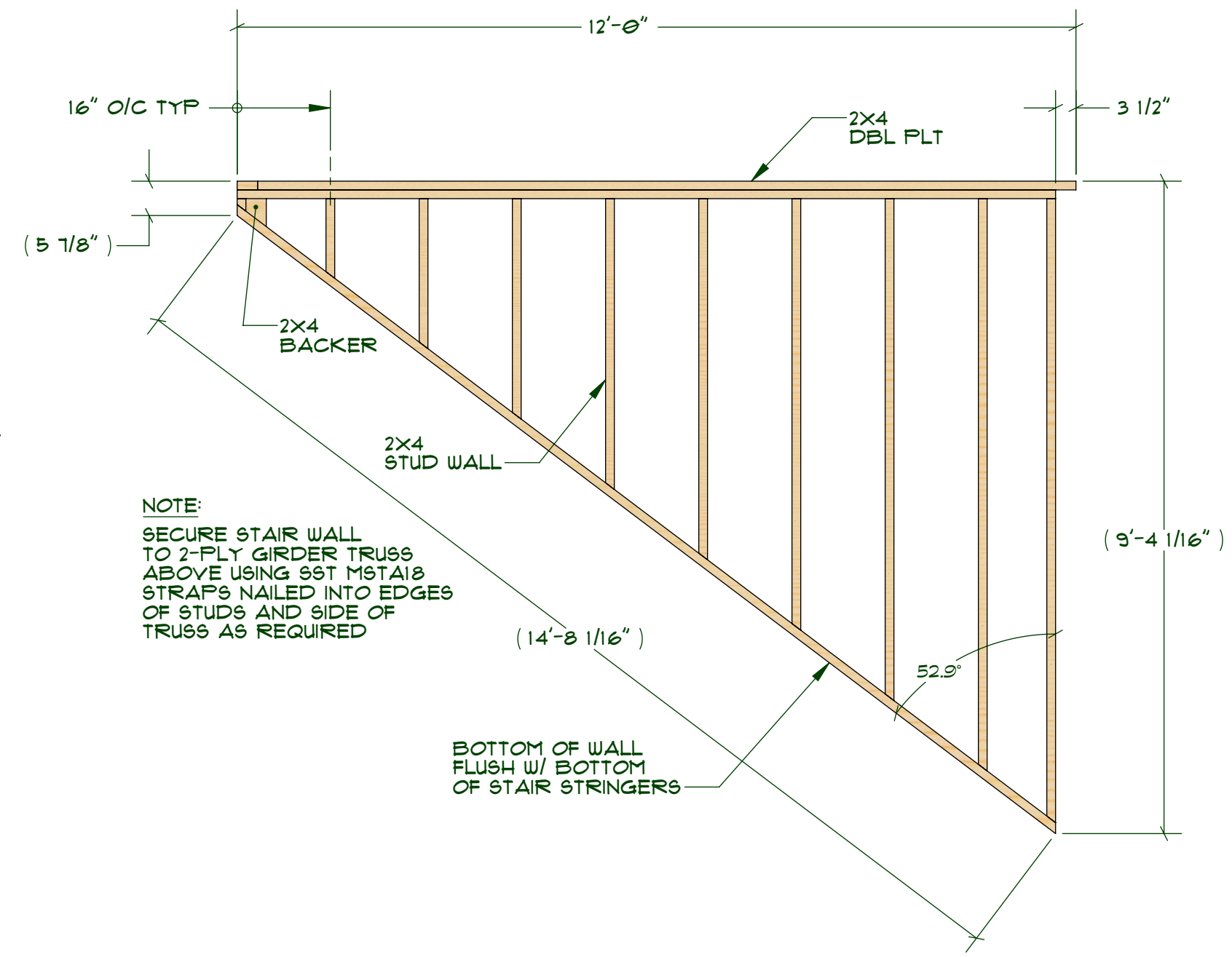
BATH/CLOSET WALL FRAMING

SCALE: 1/2"=1'-0"



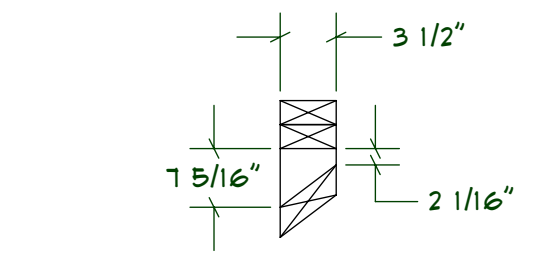
STAIRS WALL FRAMING (NO CLOSET)

SCALE: 1/2"=1'-0"



1 FRAMING @ STAIR HEADER DETAIL

SCALE: 1/2"=1'-0"



2 SECTION A-A

SCALE: 1"=1'-0"

NOTE: THE BATHROOM FRAMING ELEVATIONS SHOWN ON THIS SHEET ARE FOR THE ALTERNATE FLOOR PLAN WITH BATHROOM ONLY, SEE SHEET 16.

- WALL FRAMING NOTES:**
1. VERIFY ALL ROUGH OPENING WIDTHS AND HEIGHTS.
 2. ALL EXTERIOR WALLS 2X6 STUDS UNLESS OTHERWISE INDICATED.
 3. ALL INTERIOR WALLS 2X4 STUDS UNLESS OTHERWISE INDICATED.
 4. EXT. WALLS 7/16" OSB SHEATHING AND NAILED W/ 8d NAILS @ 6" O/C EDGES AND 12" O/C FIELD.
 5. INSTALL BACKERS FOR FIXTURES AND GYP. BOARD AS REQUIRED.