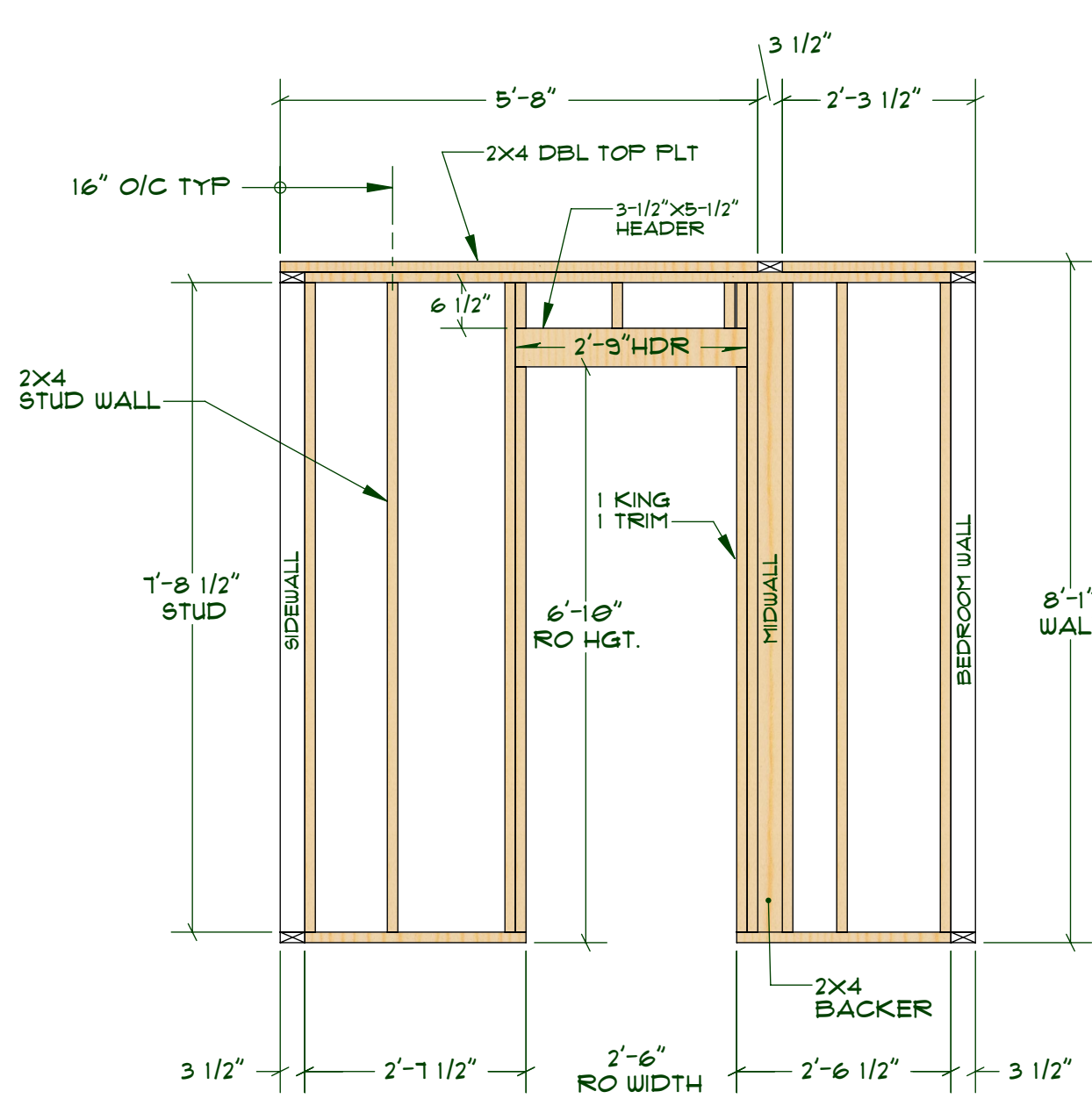




NO.	DESCRIPTION

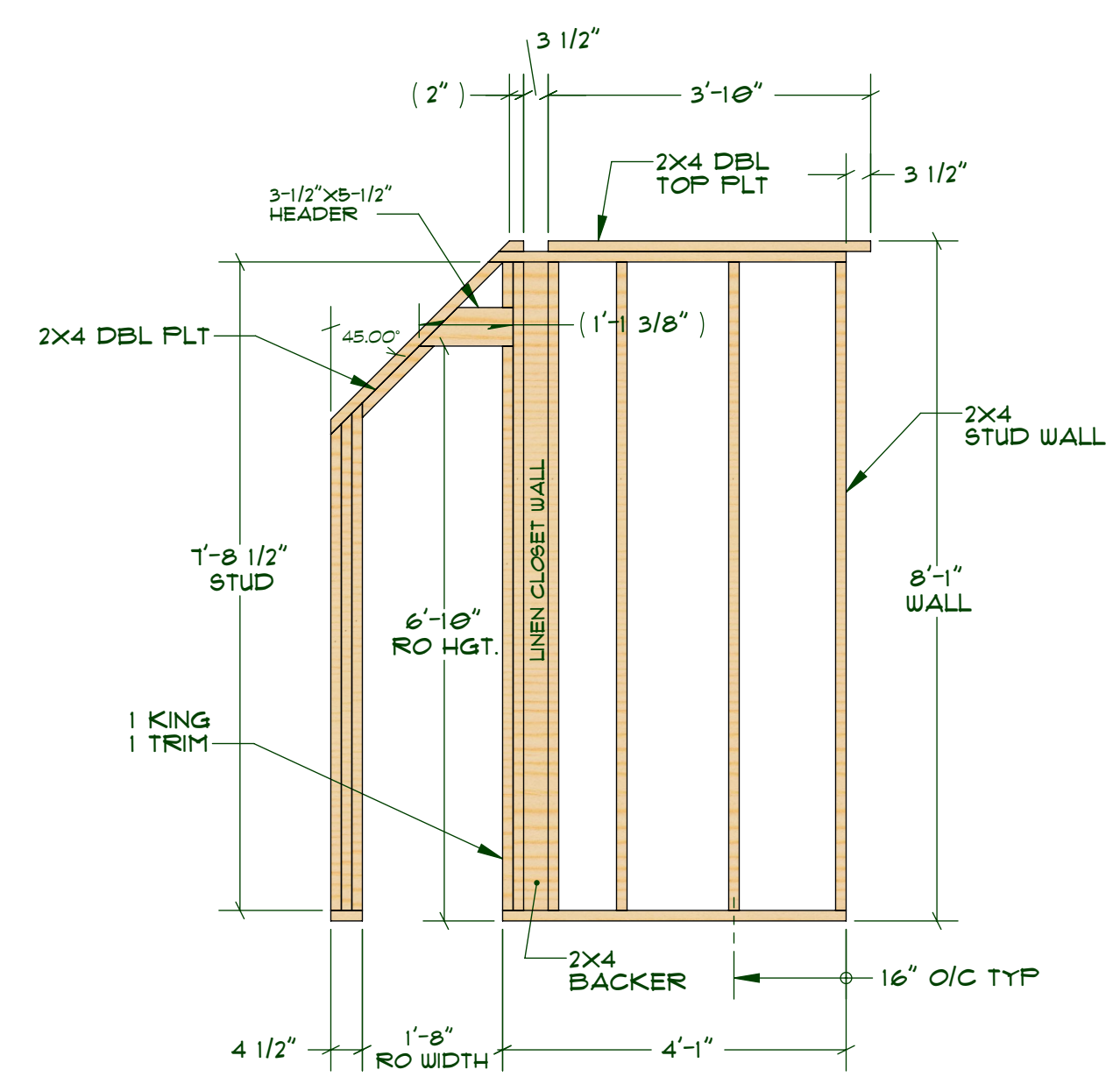
CUSTOMER:	
LOCATION:	

SHEET	
-------	--



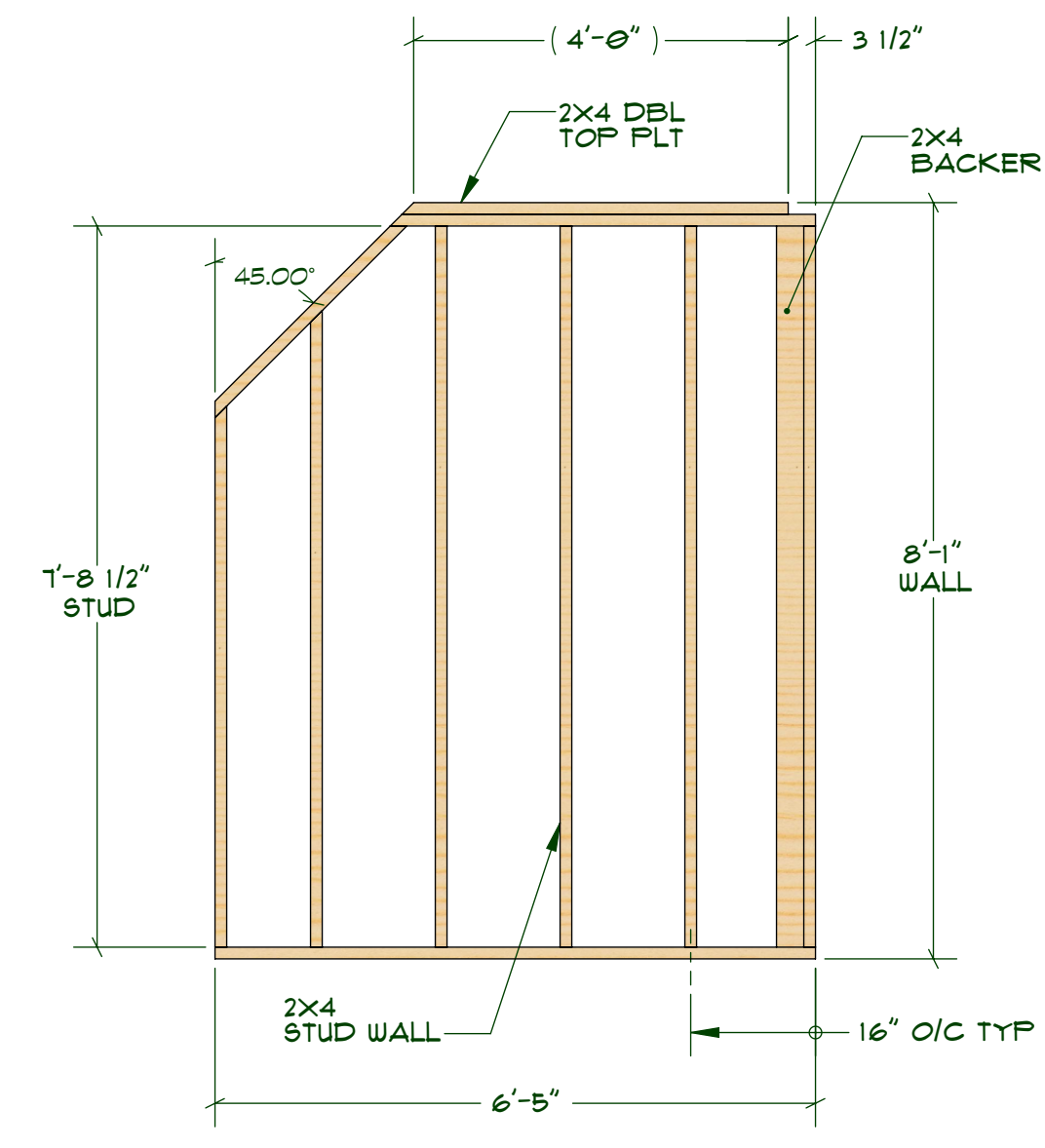
BATHROOM WALL FRAMING

SCALE: 1/2"=1'-0"



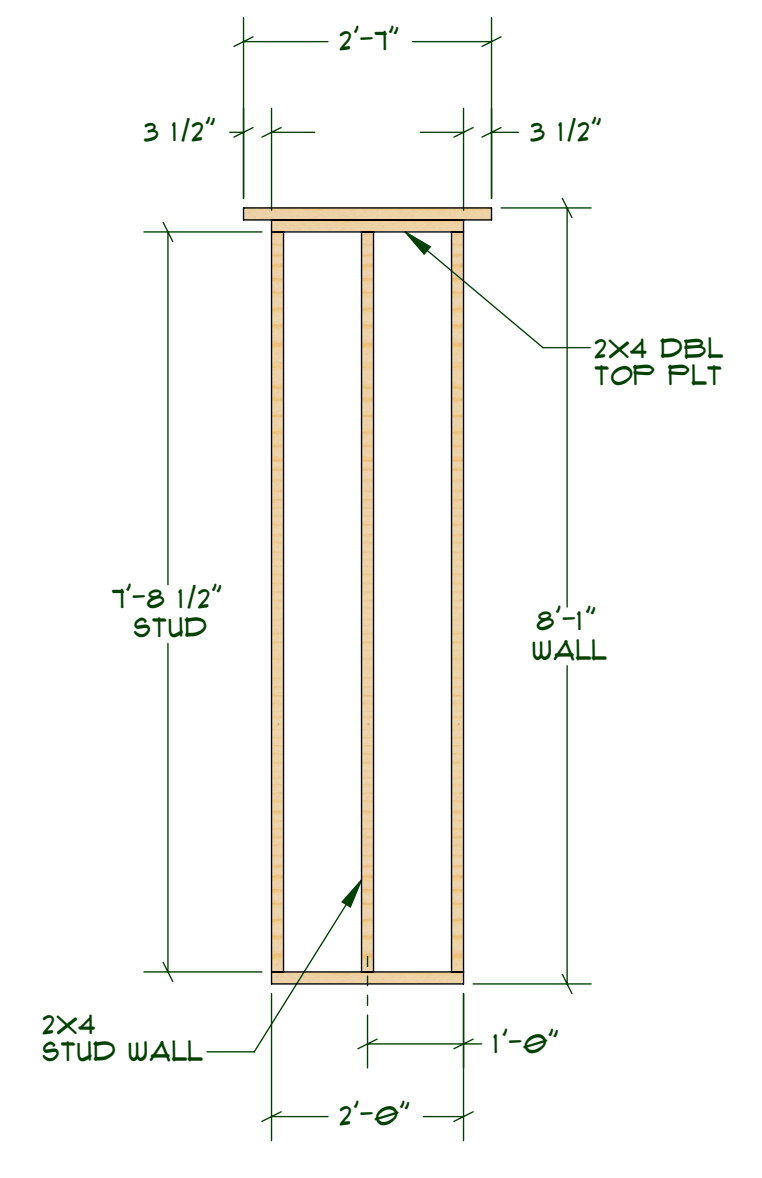
BATHROOM MIDWALL FRAMING

SCALE: 1/2"=1'-0"



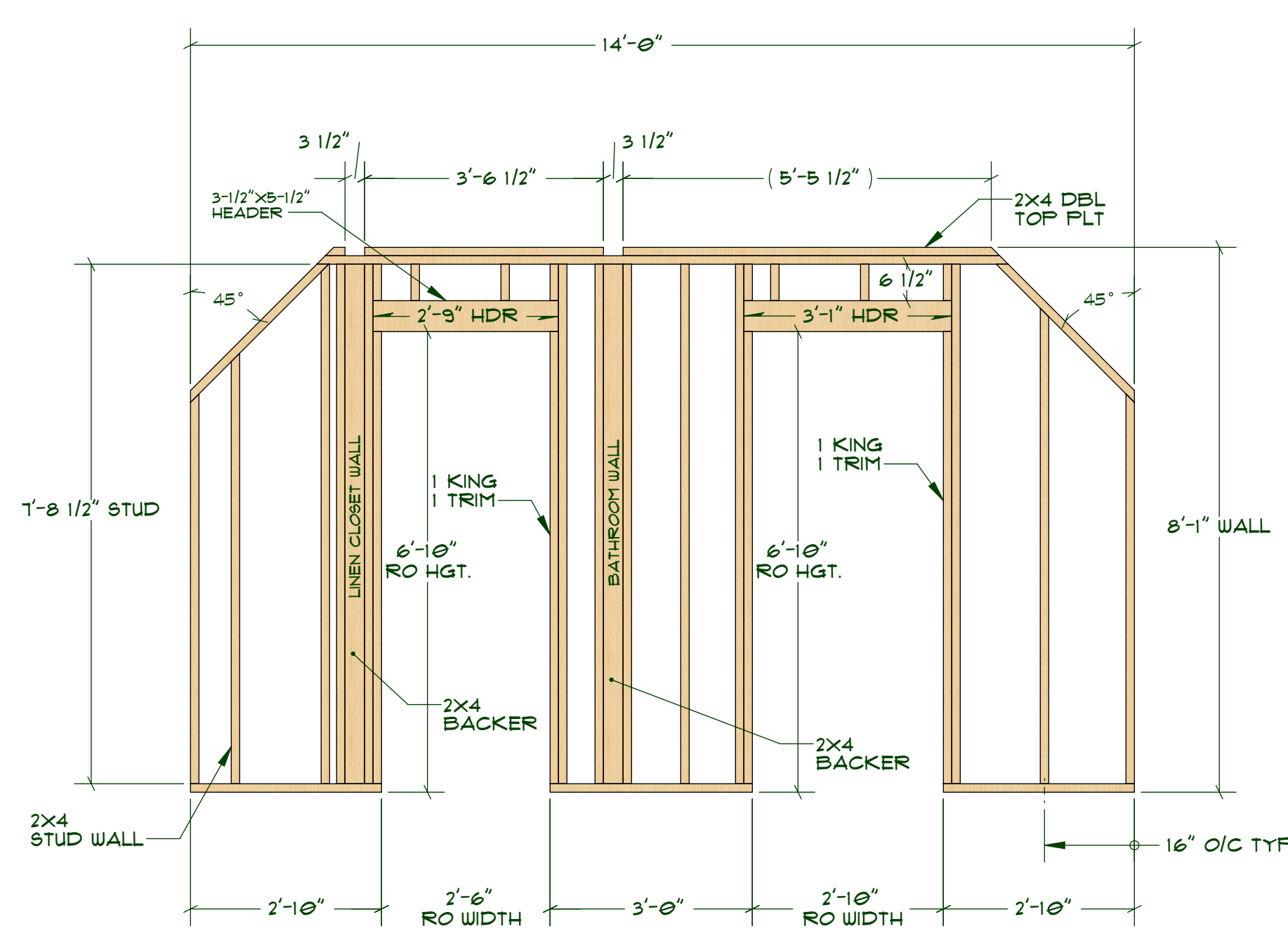
BATHROOM SIDEWALL FRAMING

SCALE: 1/2"=1'-0"



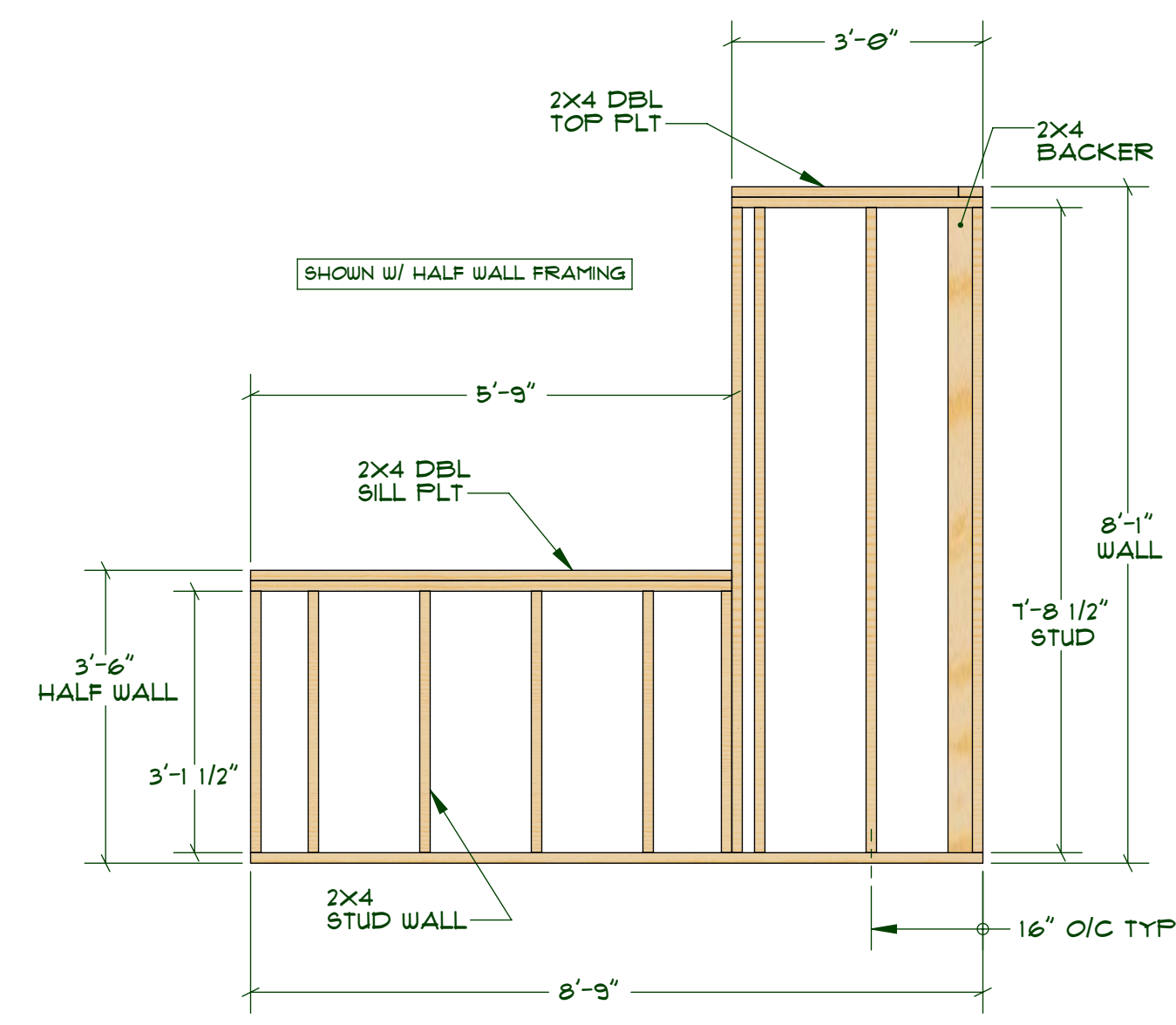
LINEN CLOSET FRAMING

SCALE: 1/2"=1'-0"



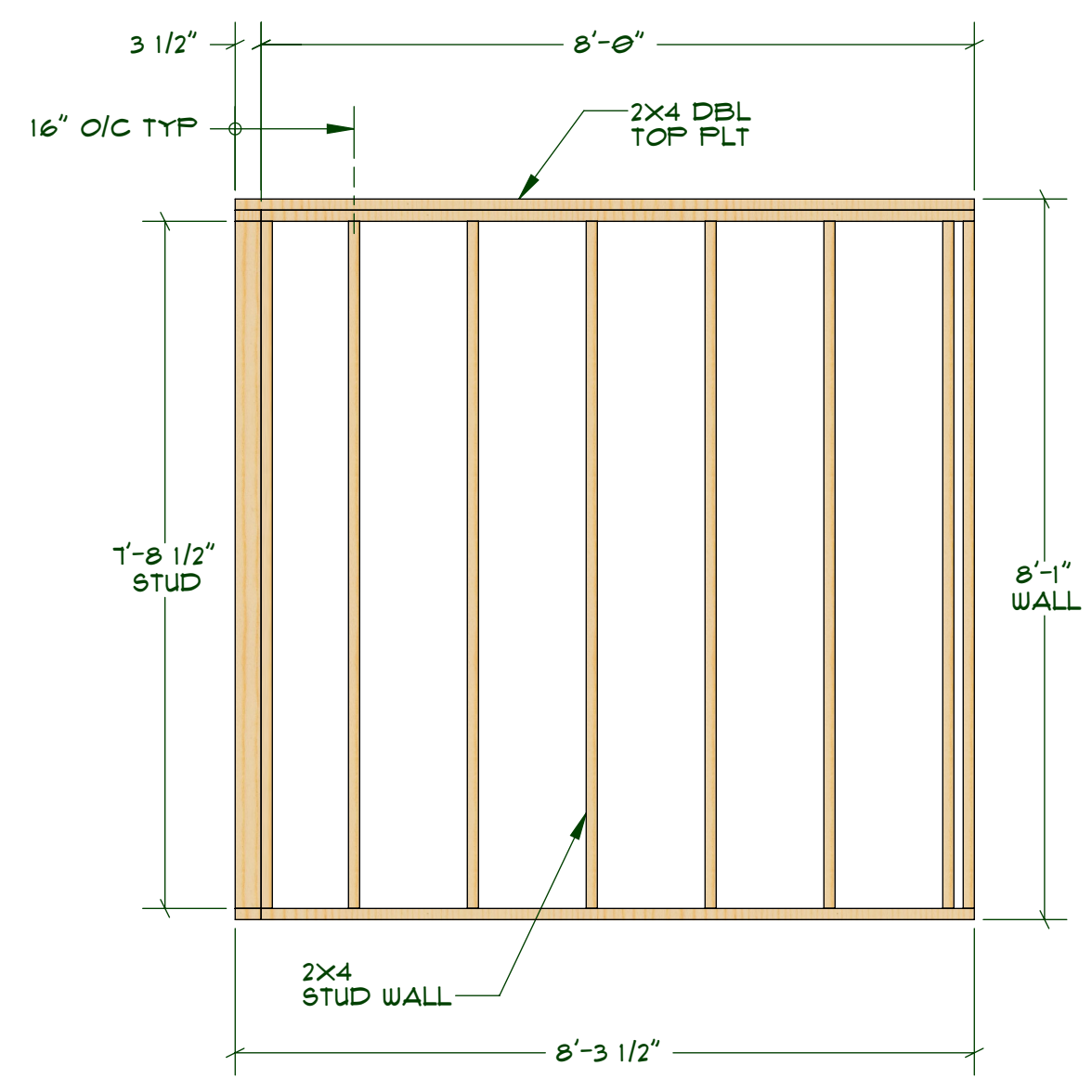
BEDROOM WALL FRAMING

SCALE: 1/2"=1'-0"



KITCHENETTE WALL FRAMING

SCALE: 1/2"=1'-0"



WALL FRAMING NOTES:

1. VERIFY ALL ROUGH OPENING WIDTHS AND HEIGHTS.
2. ALL EXTERIOR WALLS 2X6 STUDS UNLESS OTHERWISE INDICATED.
3. ALL INTERIOR WALLS 2X4 STUDS UNLESS OTHERWISE INDICATED.
4. EXT. WALLS 7/16 OSB SHEATHING AND NAILED W/ 8d NAILS @ 6" O/C EDGES AND 12" O/C FIELD.
5. INSTALL BACKERS FOR FIXTURES AND GYP. BOARD AS REQUIRED.