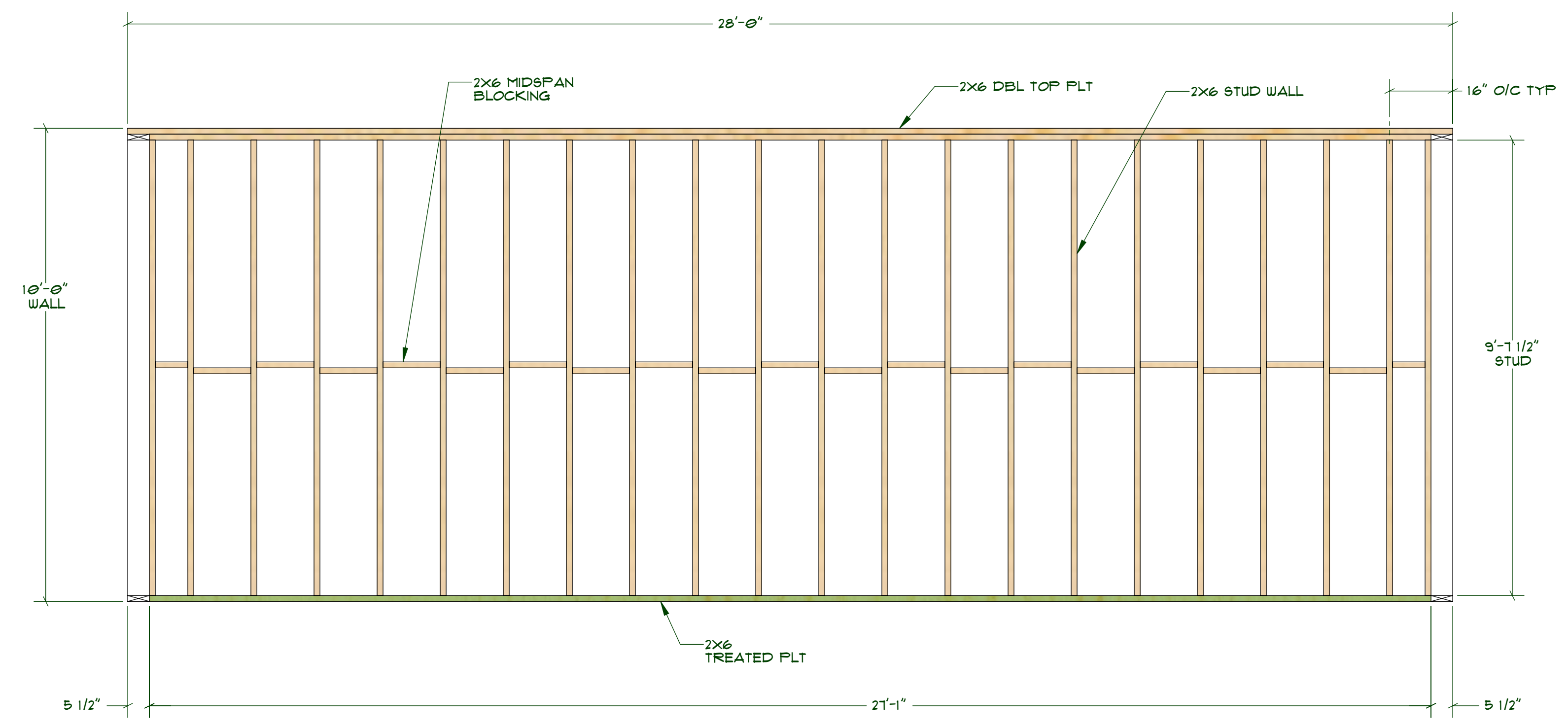




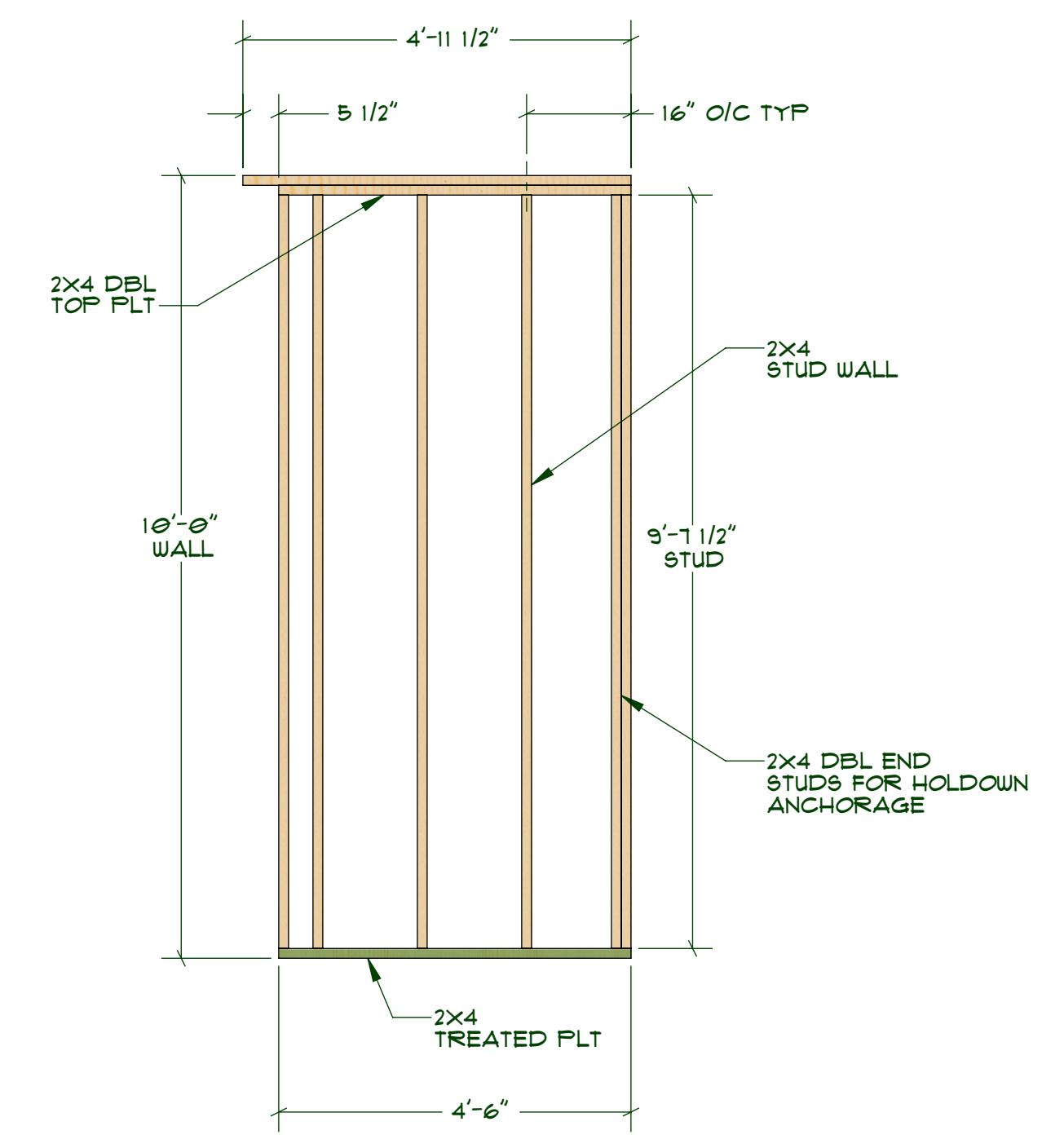
NO.	DESCRIPTION

CUSTOMER:	
LOCATION:	
SHEET	



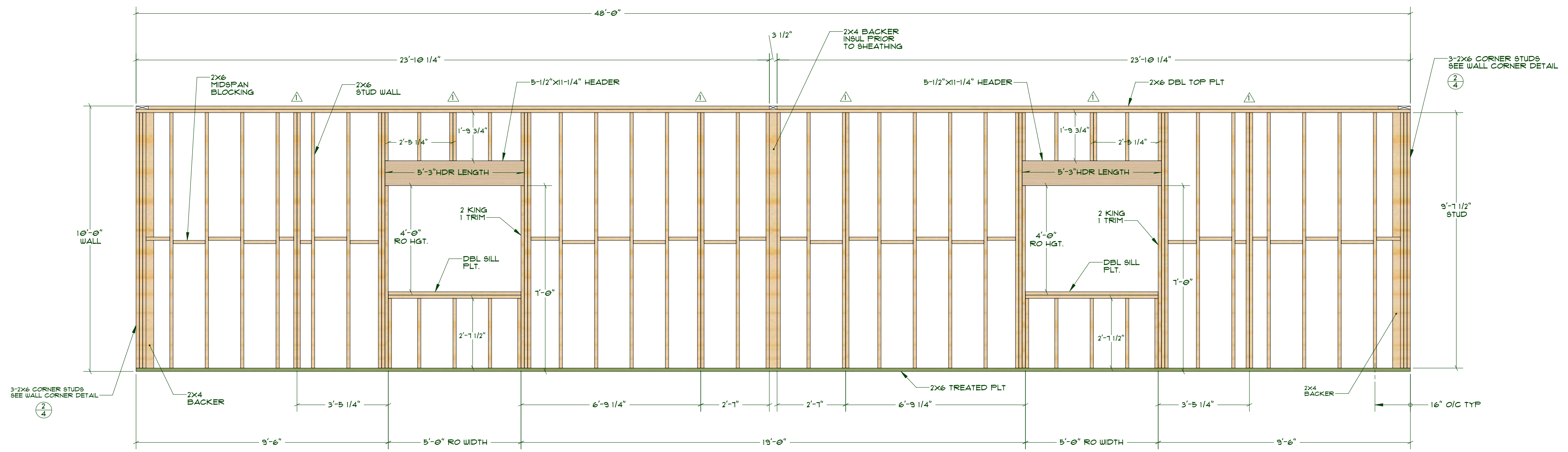
**RIGHT WALL FRAMING**

SCALE: 1/2"=1'-0"



**INT. BRACED WALL FRAMING**

SCALE: 1/2"=1'-0"



**REAR WALL FRAMING**

SCALE: 1/2"=1'-0"

**WALL FRAMING NOTES:**

1. VERIFY ALL ROUGH OPENING WIDTHS AND HEIGHTS.
  2. ALL EXTERIOR WALLS 2X6 STUDS UNLESS OTHERWISE INDICATED.
  3. ALL INTERIOR WALLS 2X4 STUDS UNLESS OTHERWISE INDICATED.
  4. SEE SHEET 3 FOR EMBEDDED HOLD-DOWNS PLACEMENT.
  5. EXT. WALLS 1/16 ODS SHEATHING AND NAILED W/ 8d NAILS @ 6" O/C EDGES AND 12" O/C FIELD.
- △ 2X6 STUD REIN. FOR VERTICAL LOAD TRANSFER OF GIRDER TRUSSES.