



MEDEEK DESIGN
INC.
1000 S. GARDNER BLVD. SUITE 100
DALLAS, TX 75242
TEL: 972.443.1100
WWW.MEDEEKDESIGN.COM

PLAN NO. GARAGE4828-A6D-3
SCALE: 1/8"=1'-0"

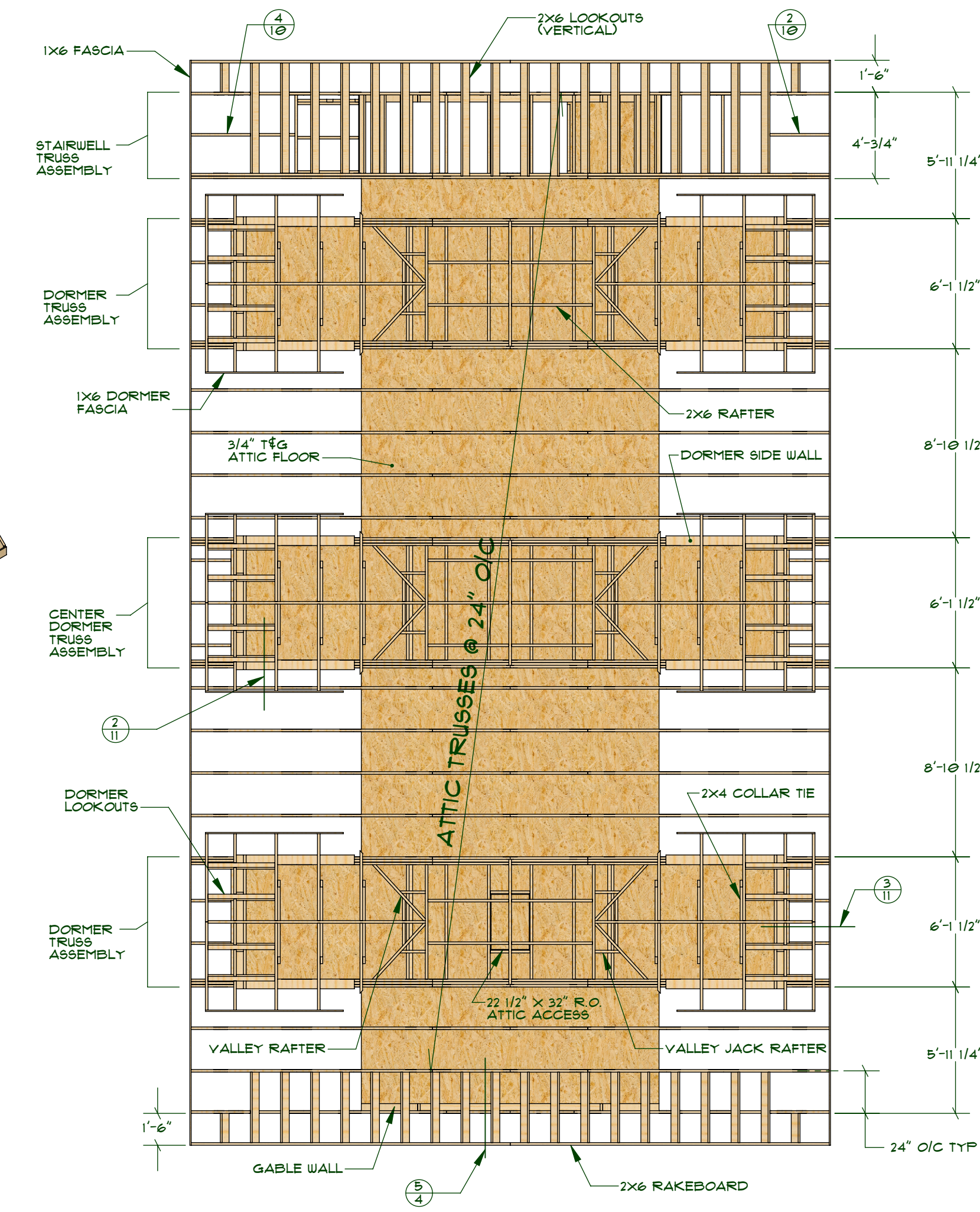
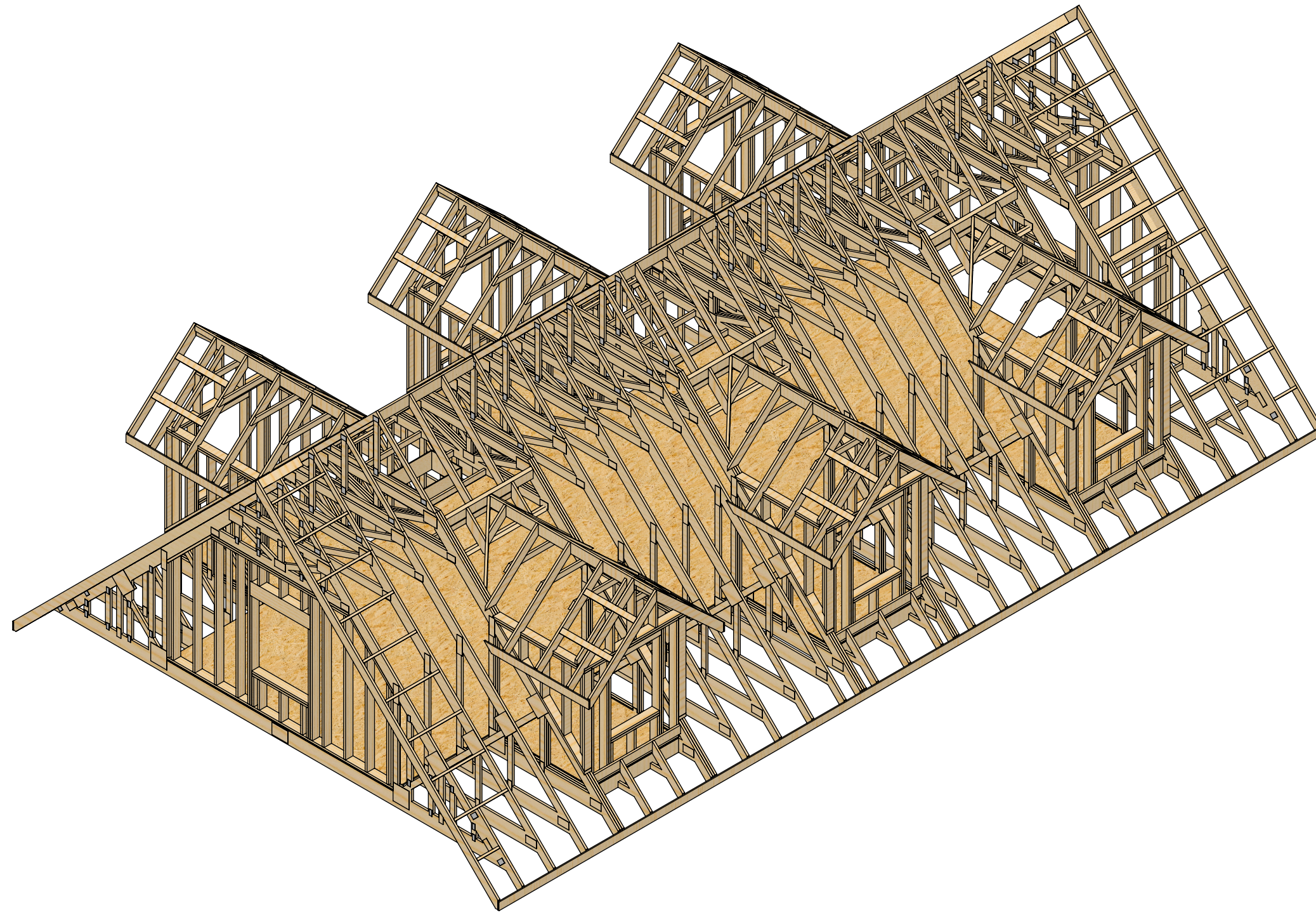
DESIGNED BY: NFW
DATE: 2/21/2013

ROOF FRAMING PLAN

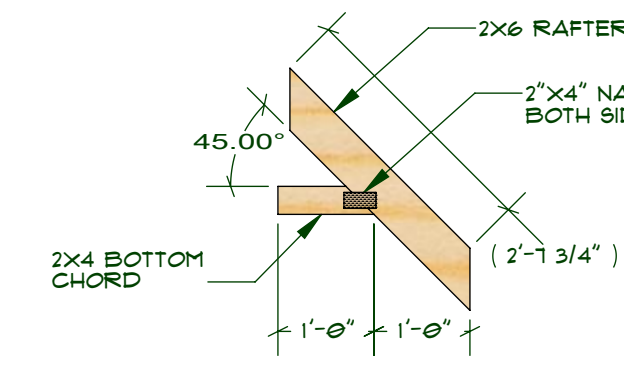
SHEET CONTENTS:

REVISION HISTORY:

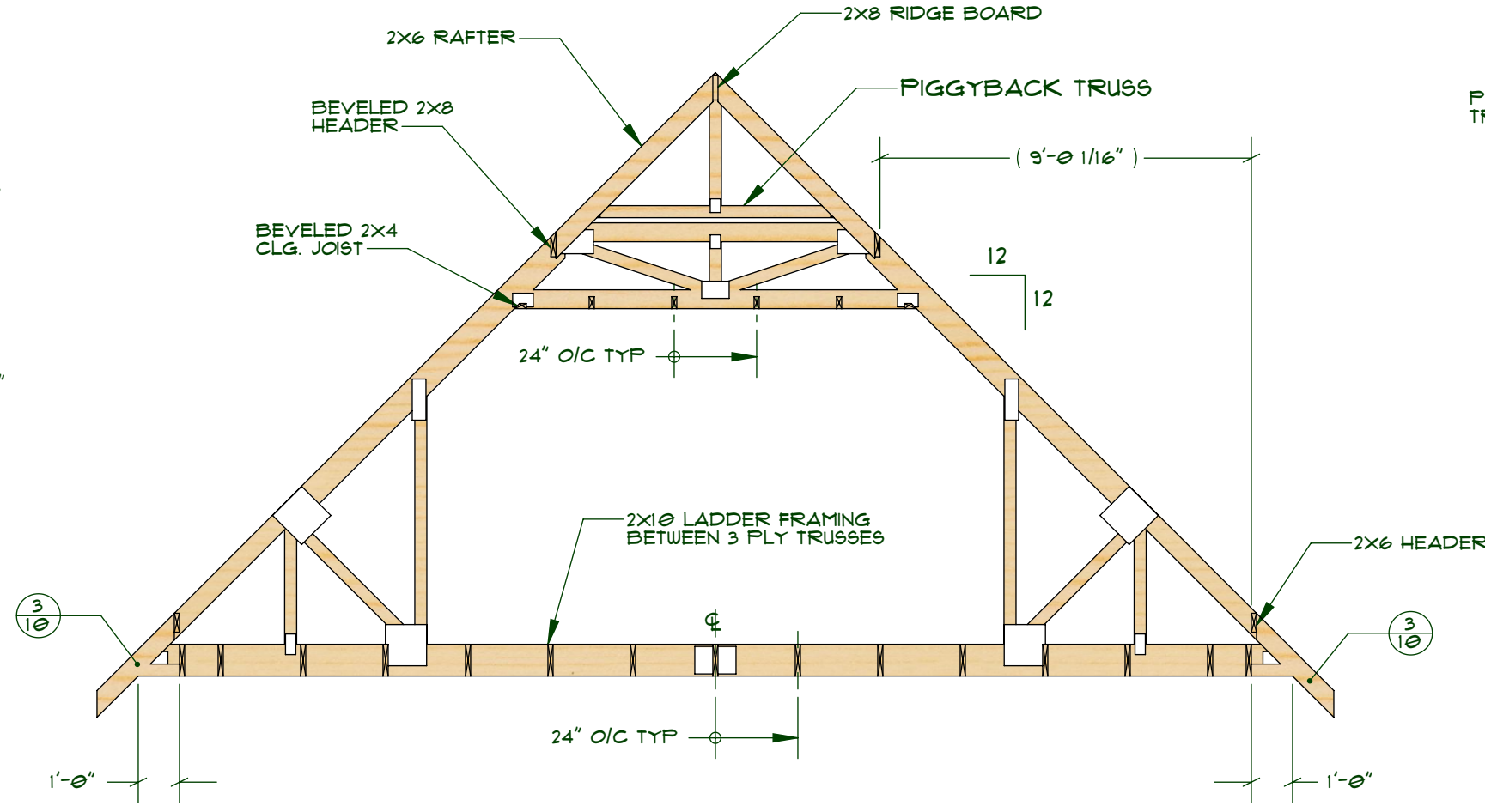
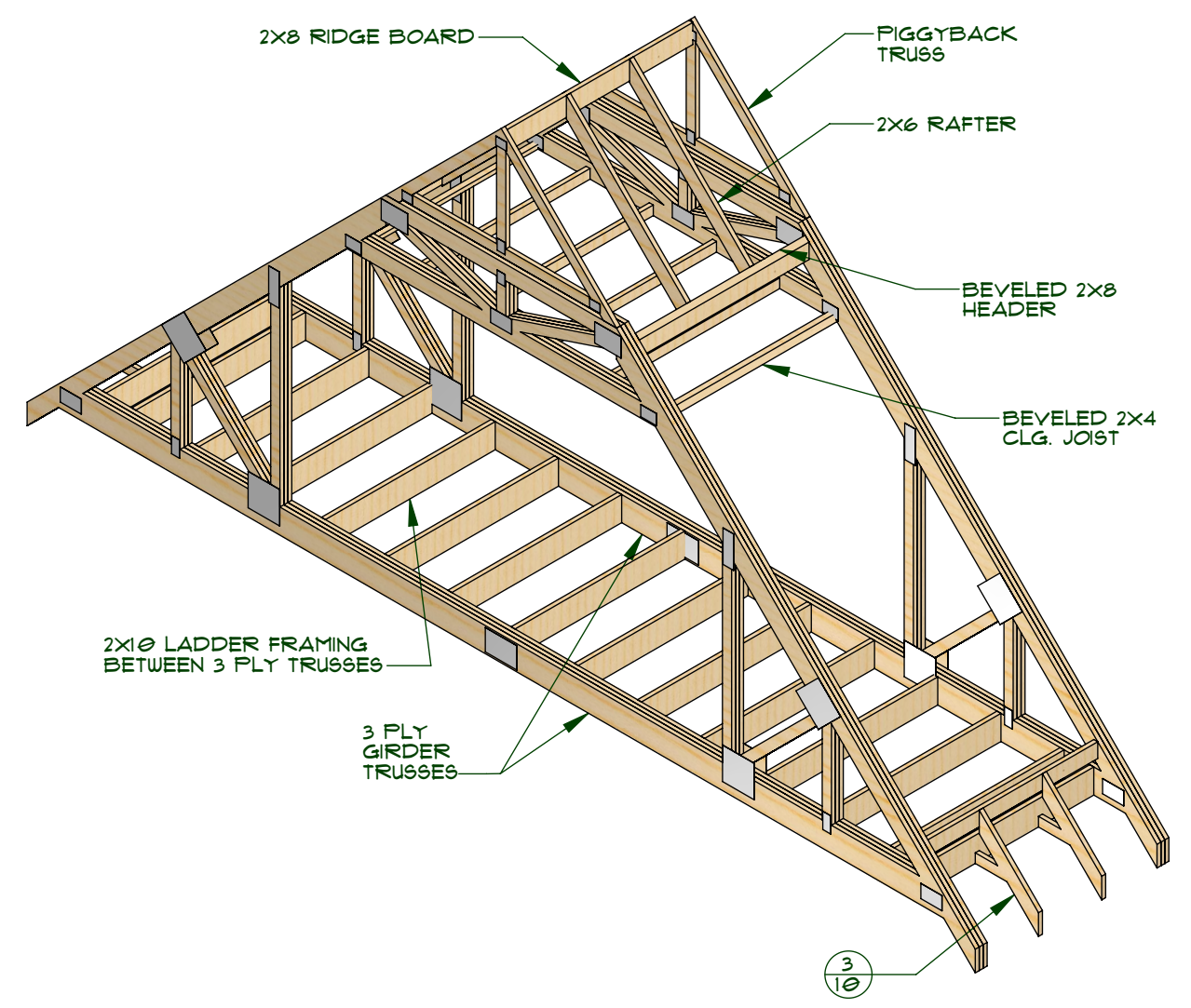
CUSTOMER: LOCATION: SHEET: 10 OF 18



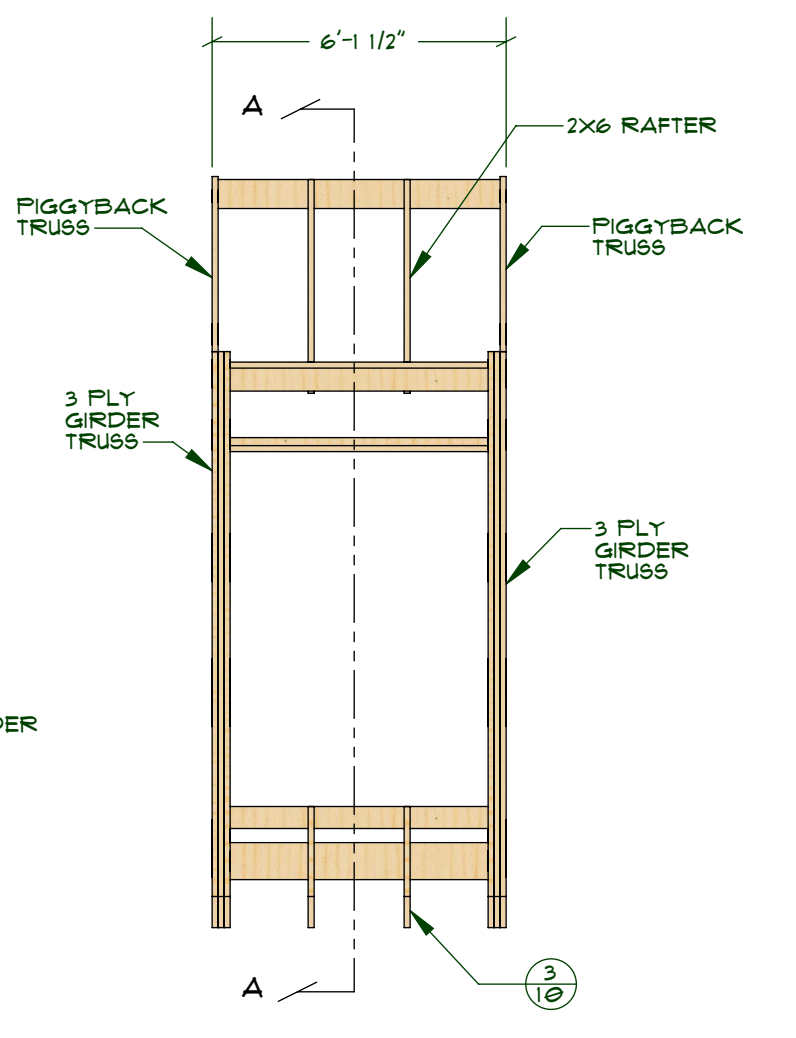
ROOF FRAMING PLAN
SCALE: 1/4"=1'-0"



3 KNEEWALL RAFTER DETAIL
SCALE: 1/2"=1'-0"

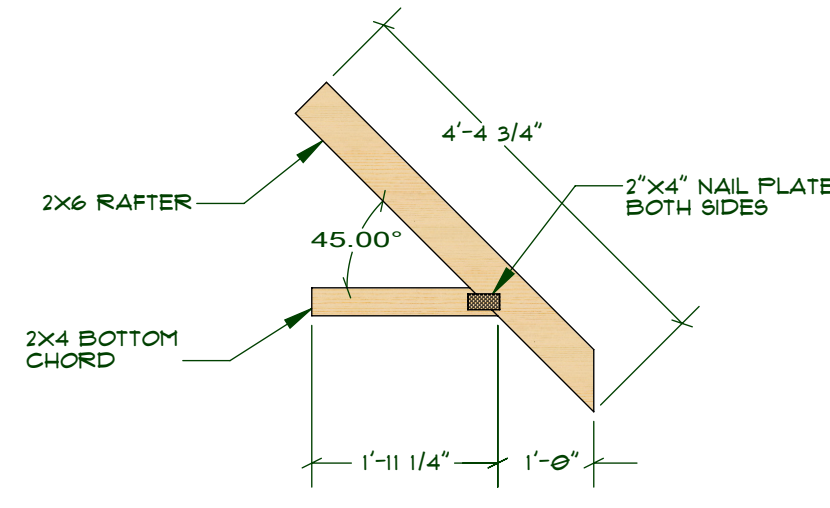


A CROSS SECTION
SCALE: 1/4"=1'-0"

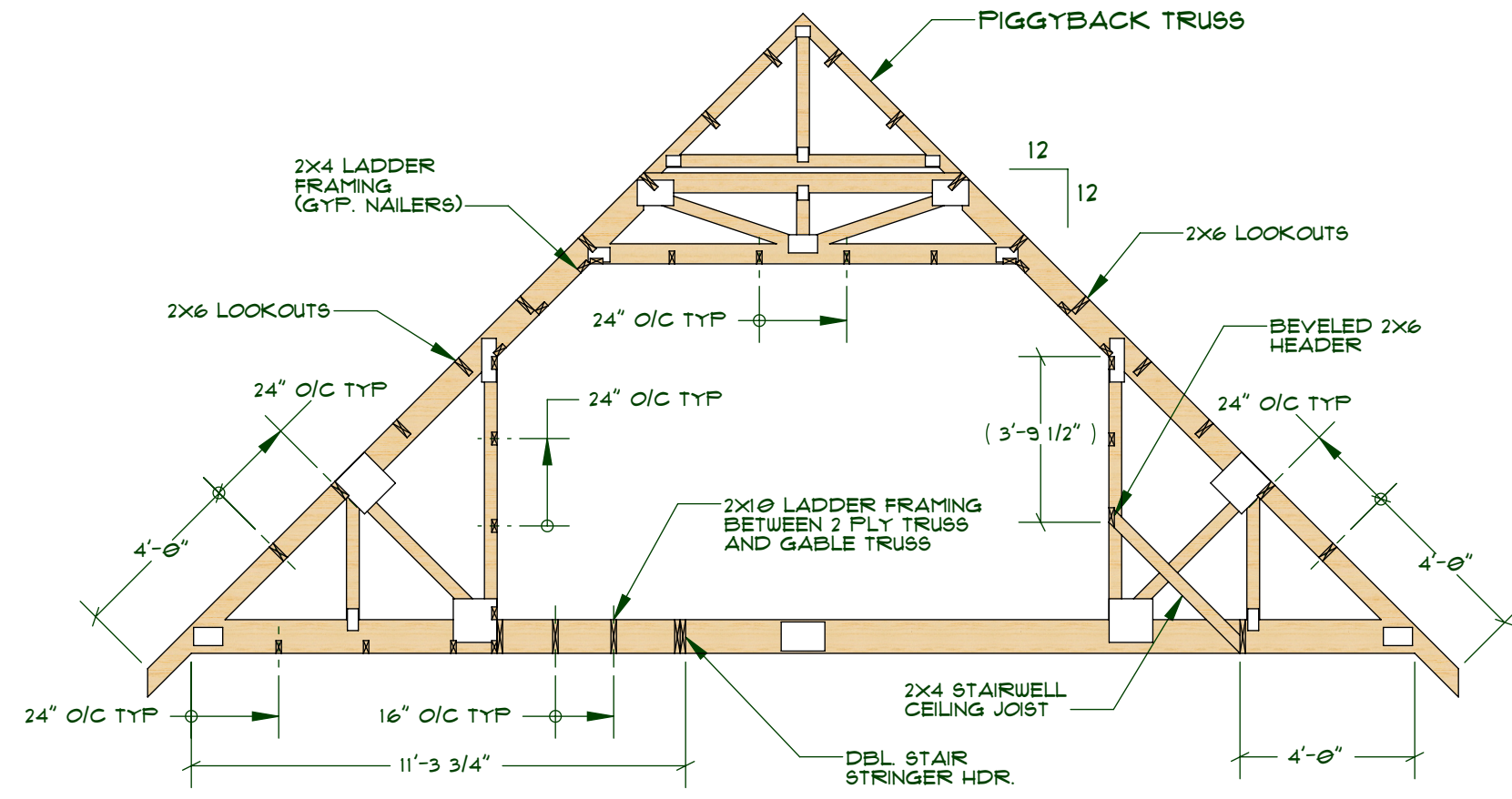
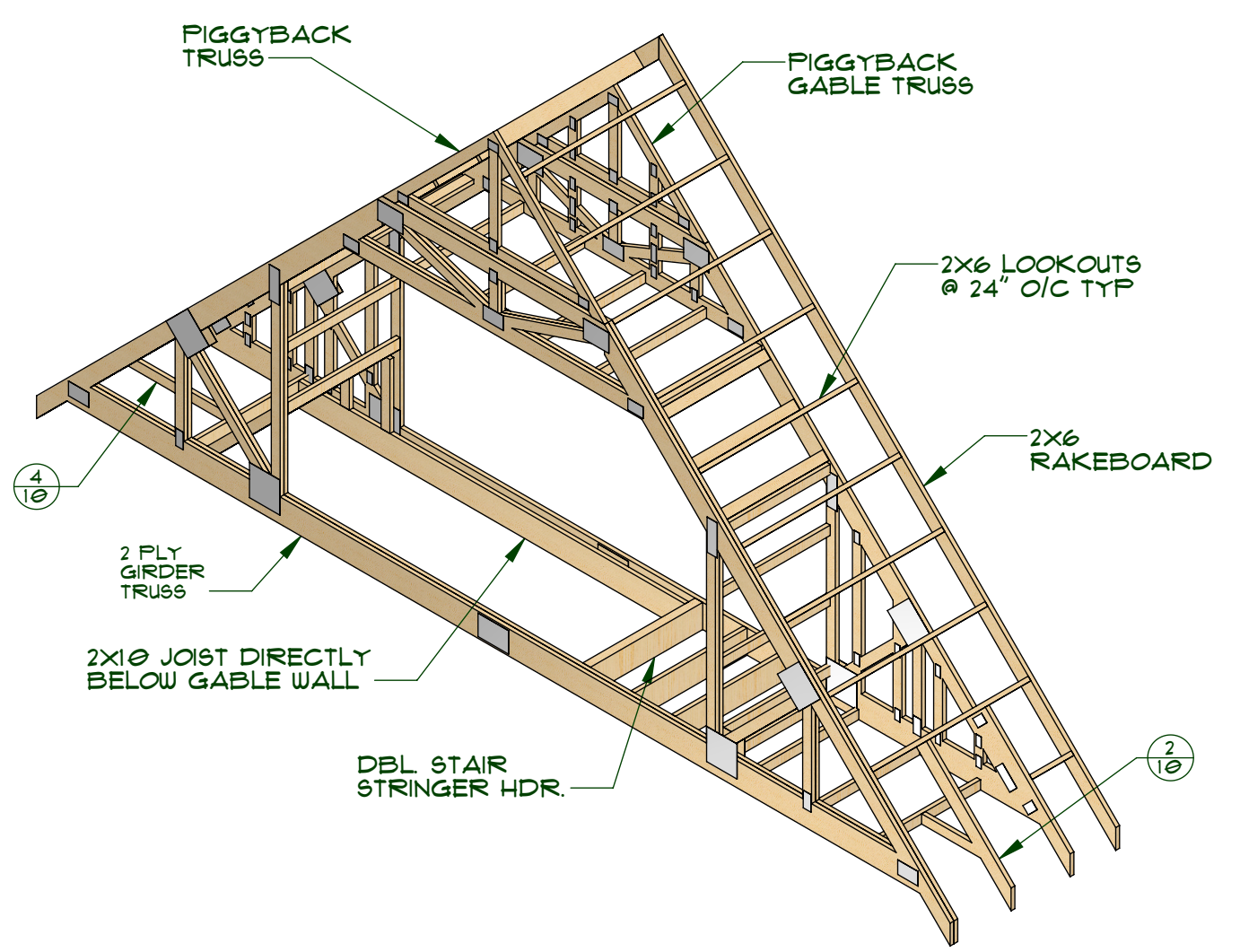
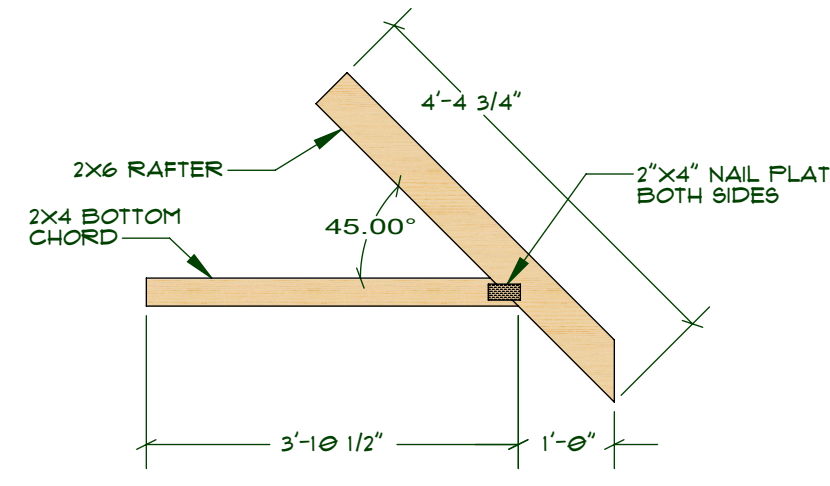


DORMER TRUSS ASSEMBLY
SCALE: 1/4"=1'-0"

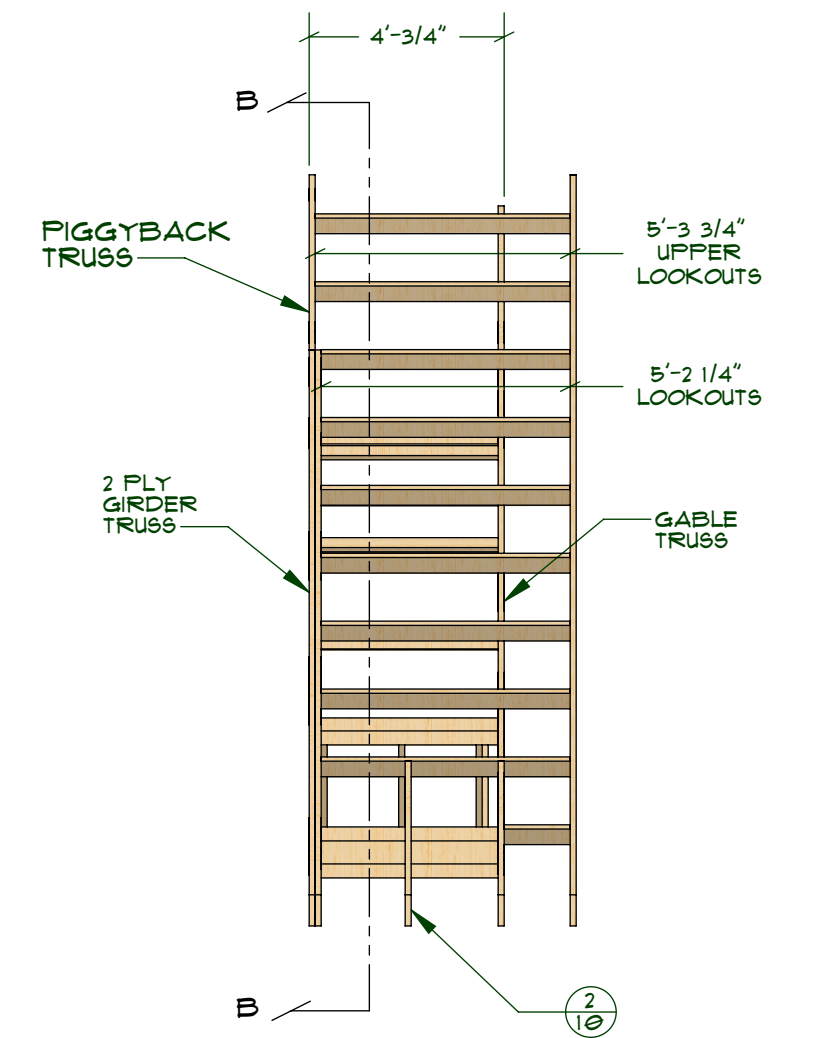
2 STAIRWELL RAFTER (1) DETAIL
SCALE: 1/2"=1'-0"



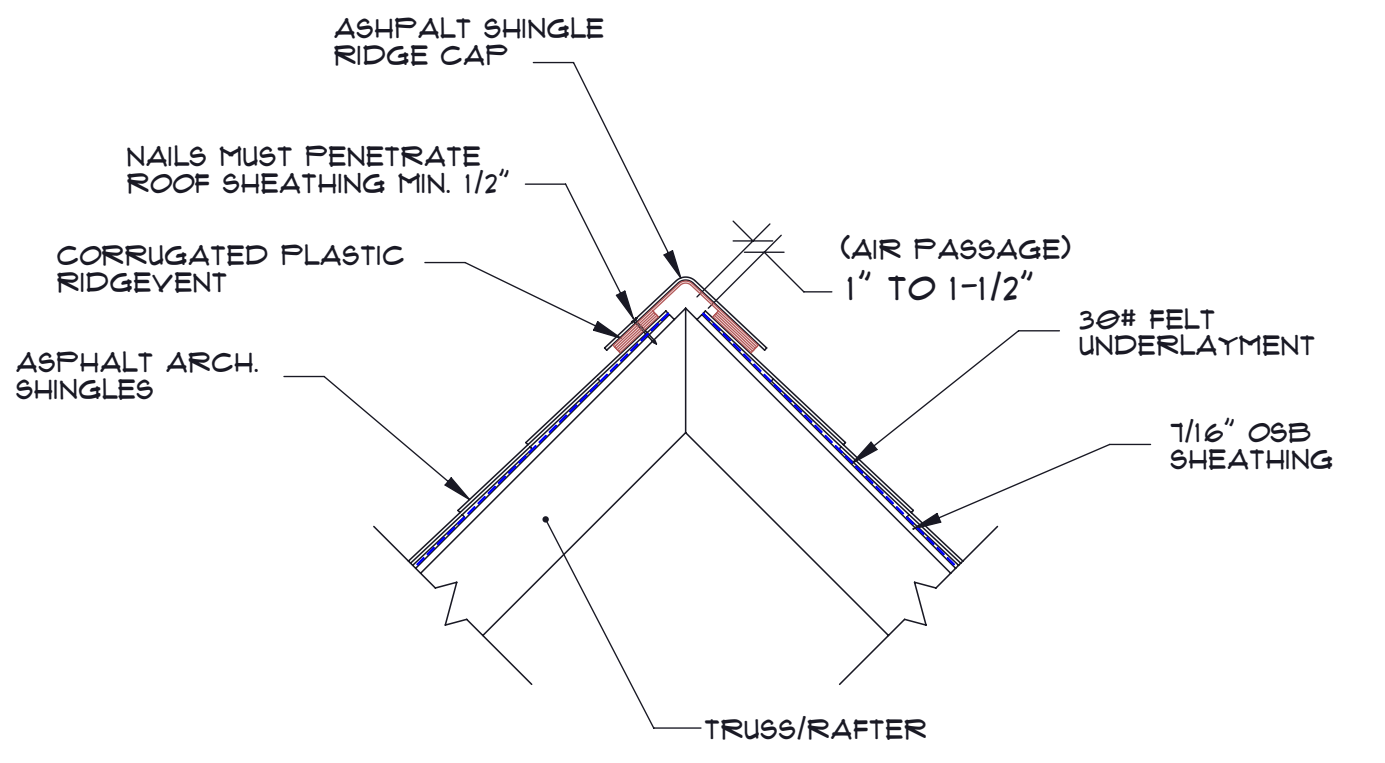
4 STAIRWELL RAFTER (2) DETAIL
SCALE: 1/2"=1'-0"



CROSS SECTION
SCALE: 1/4"=1'-0"



STAIRWELL TRUSS ASSEMBLY
SCALE: 1/4"=1'-0"



1 RIDGE VENT DETAIL

- ROOF FRAMING NOTES:**
- SPACE KNEEWALL RAFTERS @ 24" O/C WITH TRUSSES
 - ROOF SHEATHING TO BE 1/2" OSB NAILED W/ 8D NAILS @ 6" O/C EDGES AND 12" O/C FIELD
 - USE H-CLIPS CENTERED BETWEEN TRUSSES AT SHEET EDGES
 - PRE-ASSEMBLE TRUSS ASSEMBLIES ON GROUND AND LIFT INTO PLACE WITH CRANE
 - USE 88T JOIST HANGERS FOR ATTIC FLOOR JOISTS, DORMER HEADERS AND CEILING JOISTS: HU20, HU20-2, HU28, HU28