



MEDEEK DESIGN
 1000 S. 10th St.
 Phoenix, AZ 85006
 (602) 998-1000
 WWW.MEDEEKDESIGN.COM

PLAN NO. **GARAGE4828-A6D-3**
 SCALE: 1/4" = 1'-0"
 REVISION: A.1

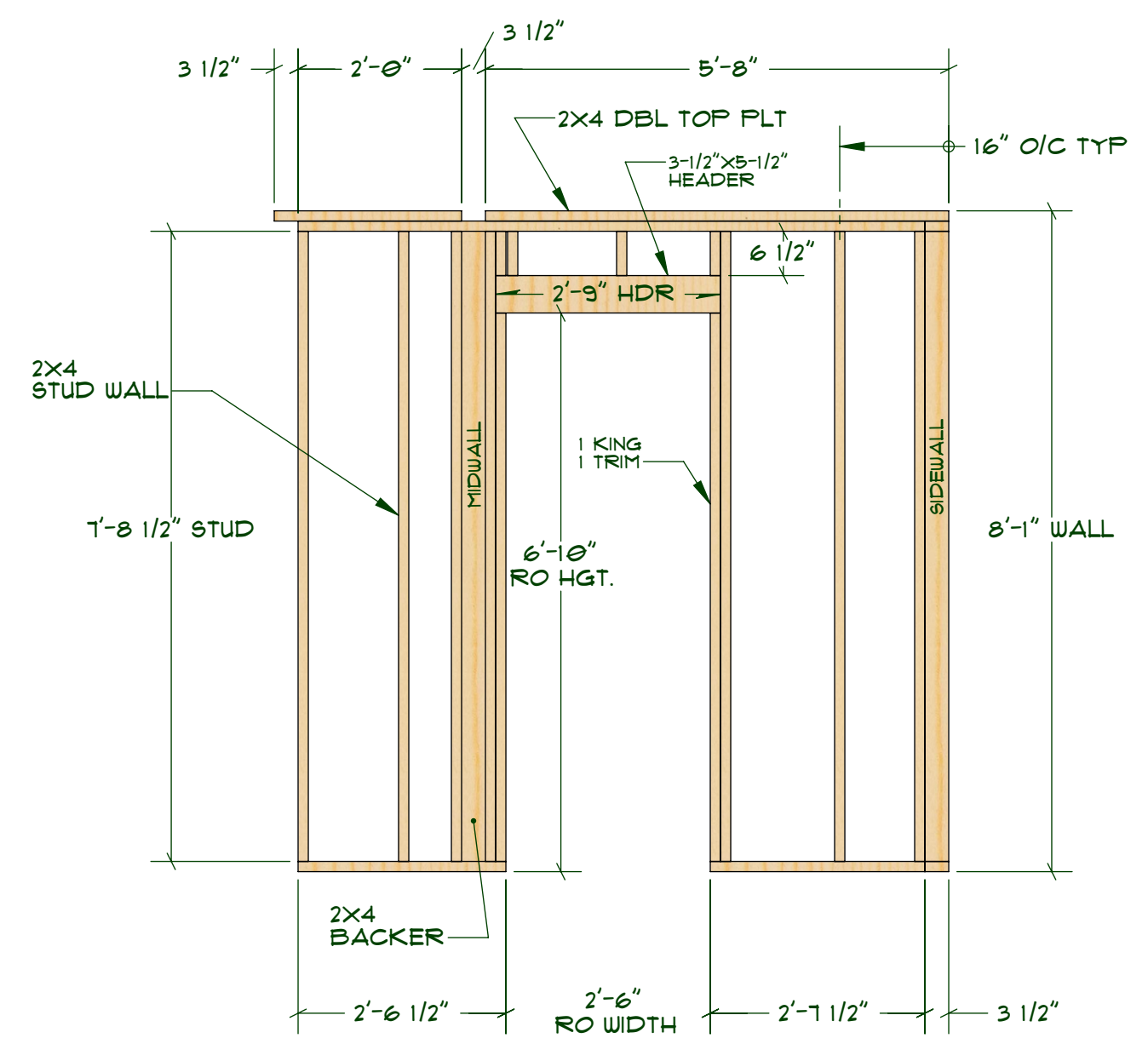
DESIGNED BY: **NFW**
 DATE: **2/15/2013**

SHEET CONTENTS:
ALT. WALL FRAMING ELEVATIONS

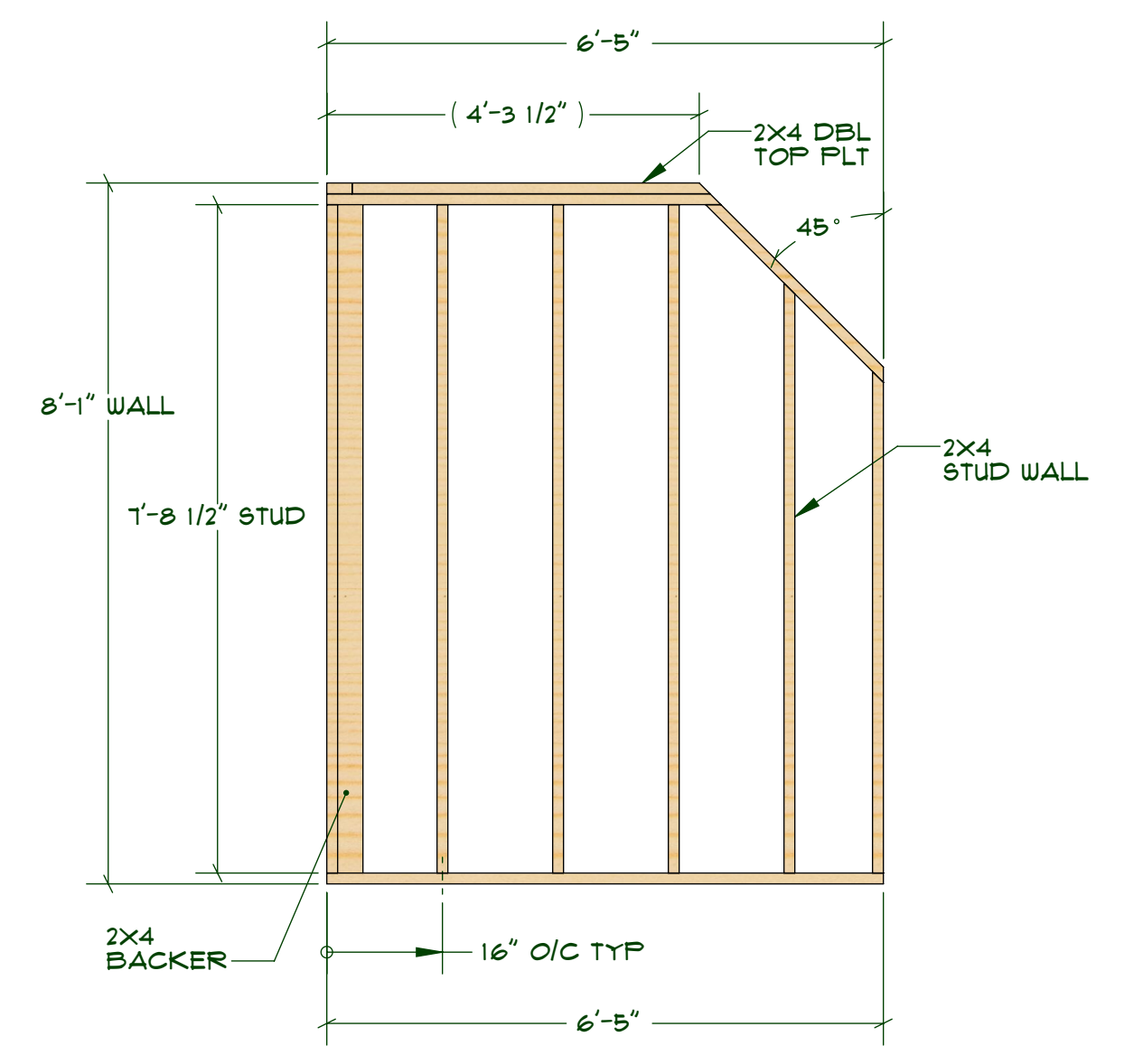
REVISION HISTORY:	DATE	DESCRIPTION

CUSTOMER:
 LOCATION:

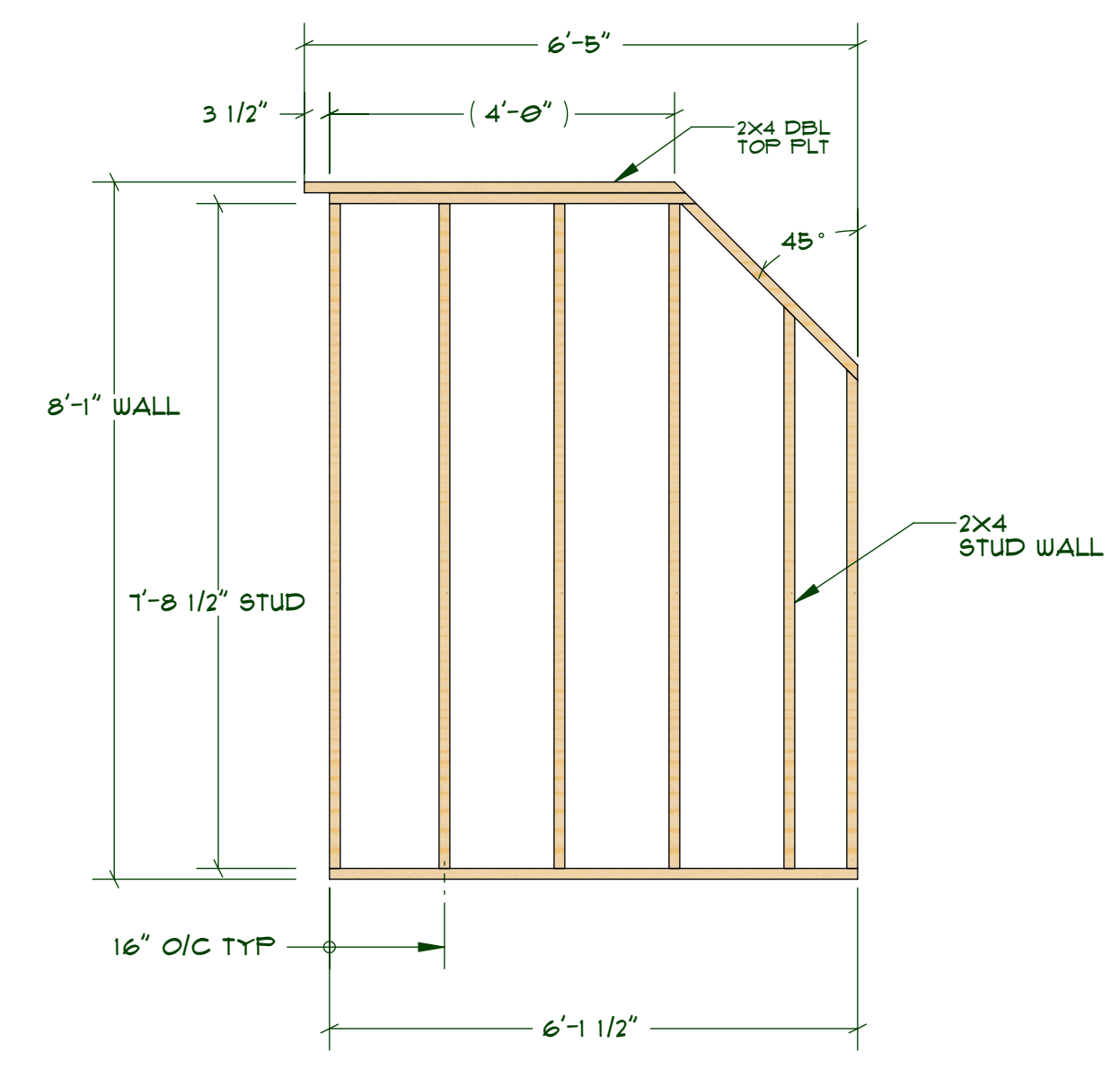
SHEET **17** OF **18**



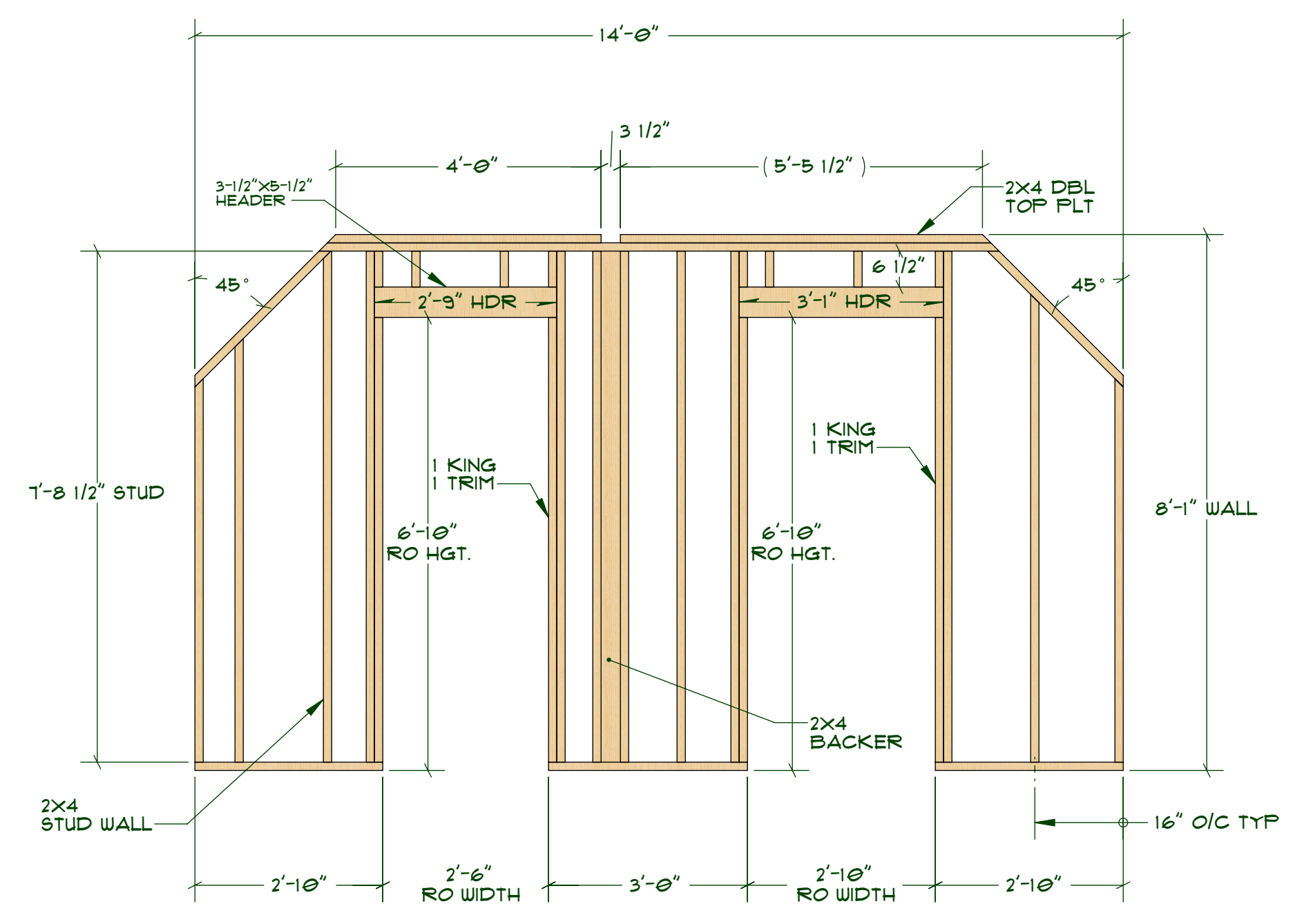
BATHROOM WALL FRAMING
 SCALE: 1/2"=1'-0"



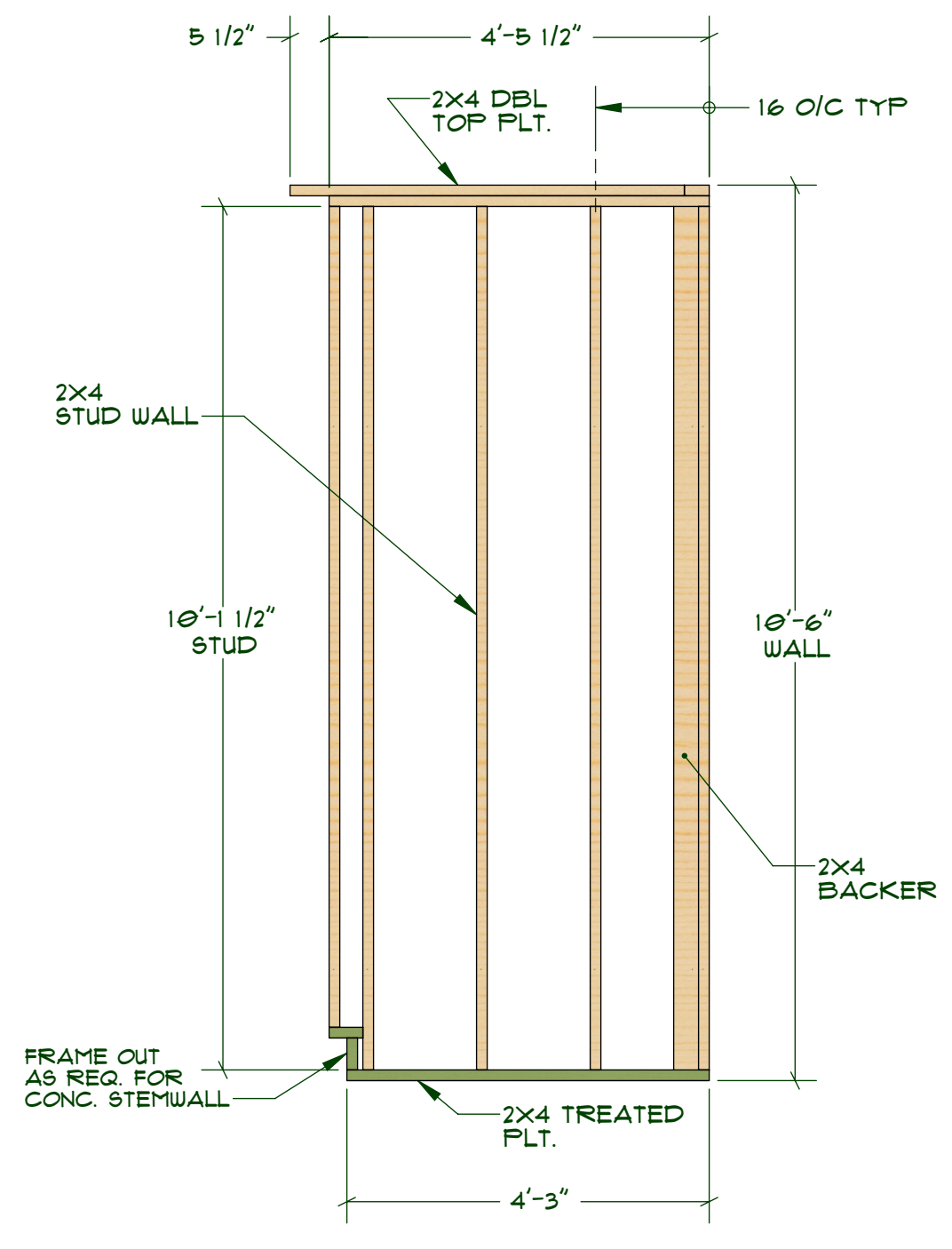
BATHROOM SIDEWALL FRAMING
 SCALE: 1/2"=1'-0"



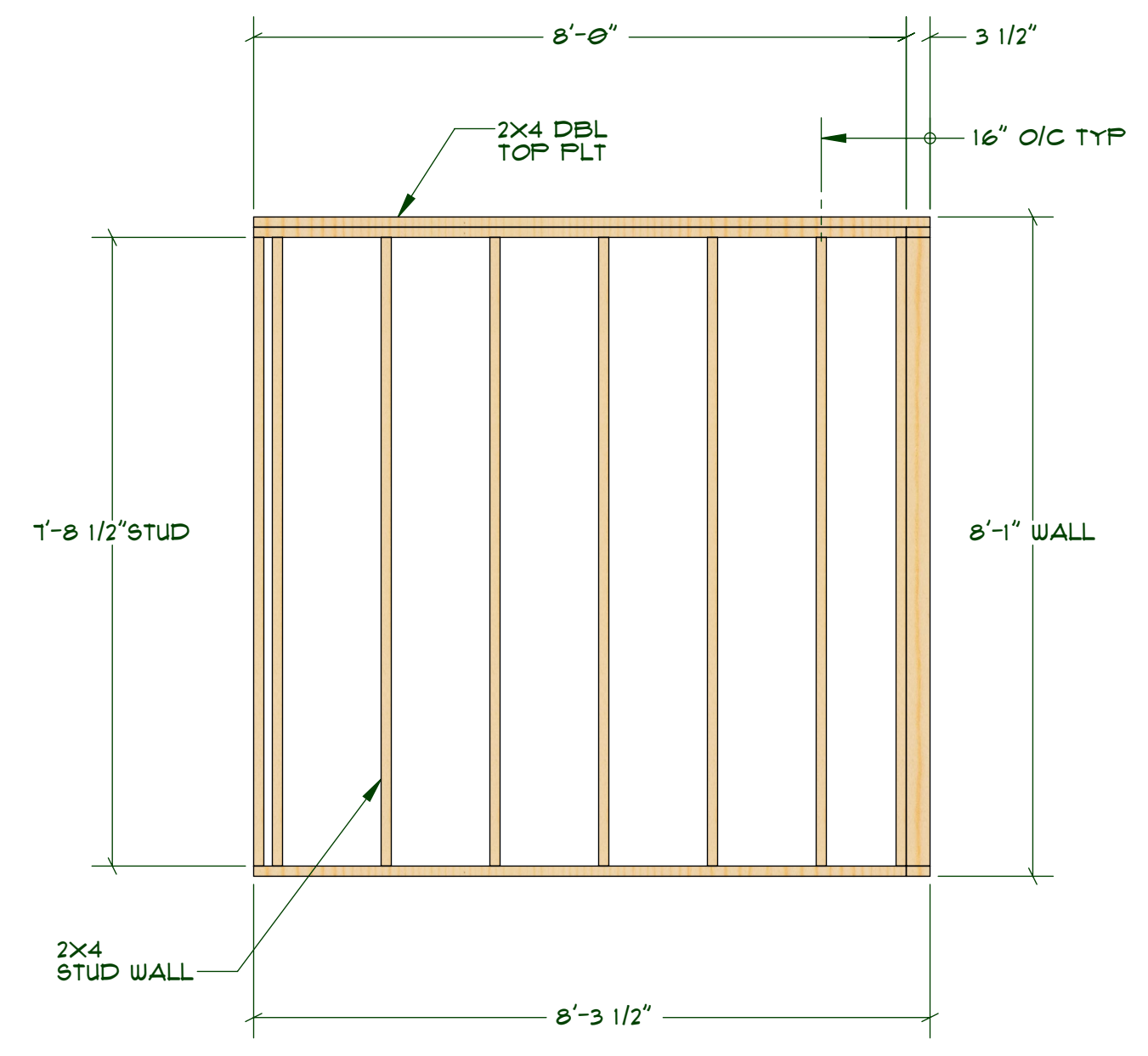
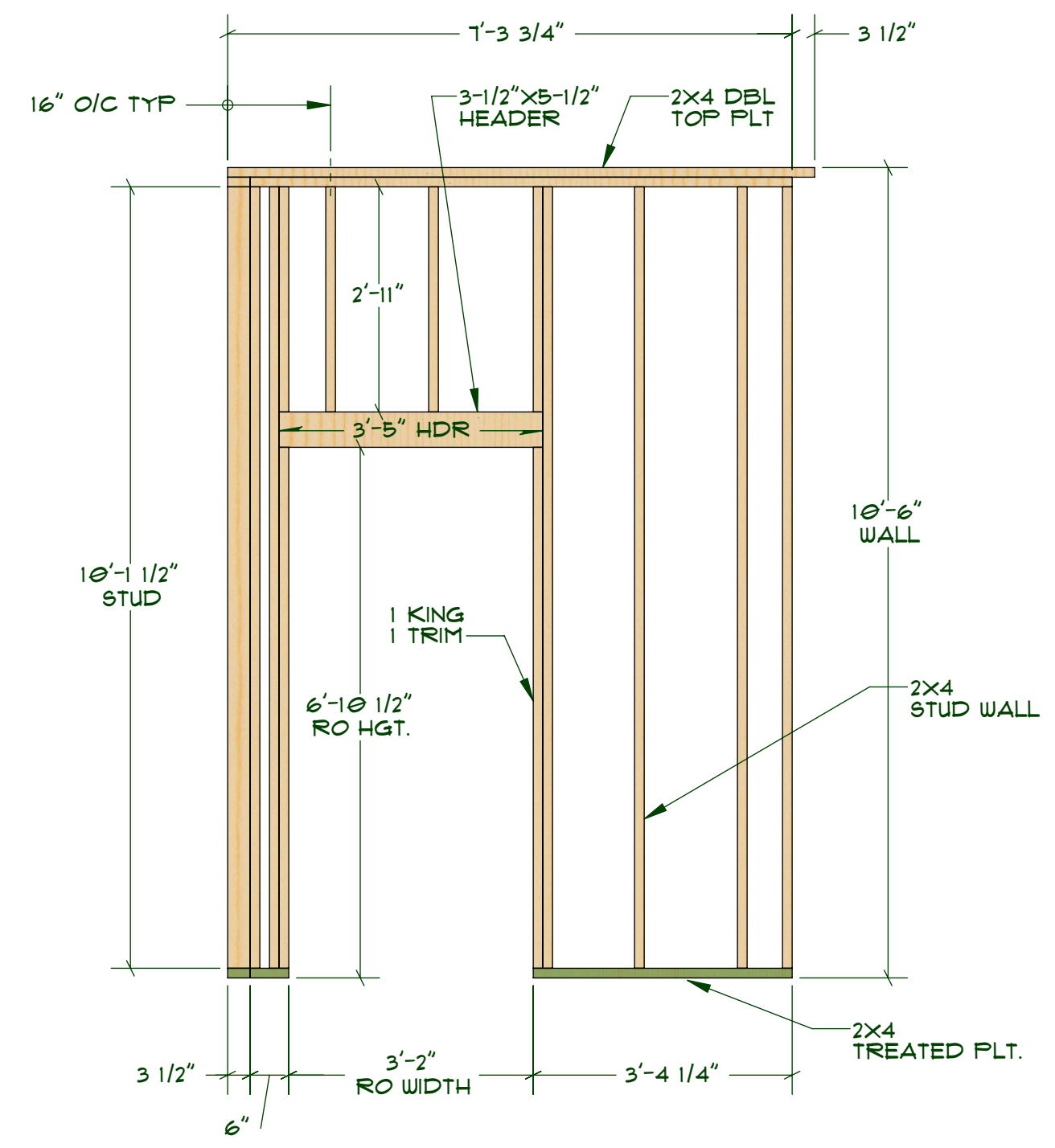
BATHROOM MIDWALL FRAMING
 SCALE: 1/2"=1'-0"



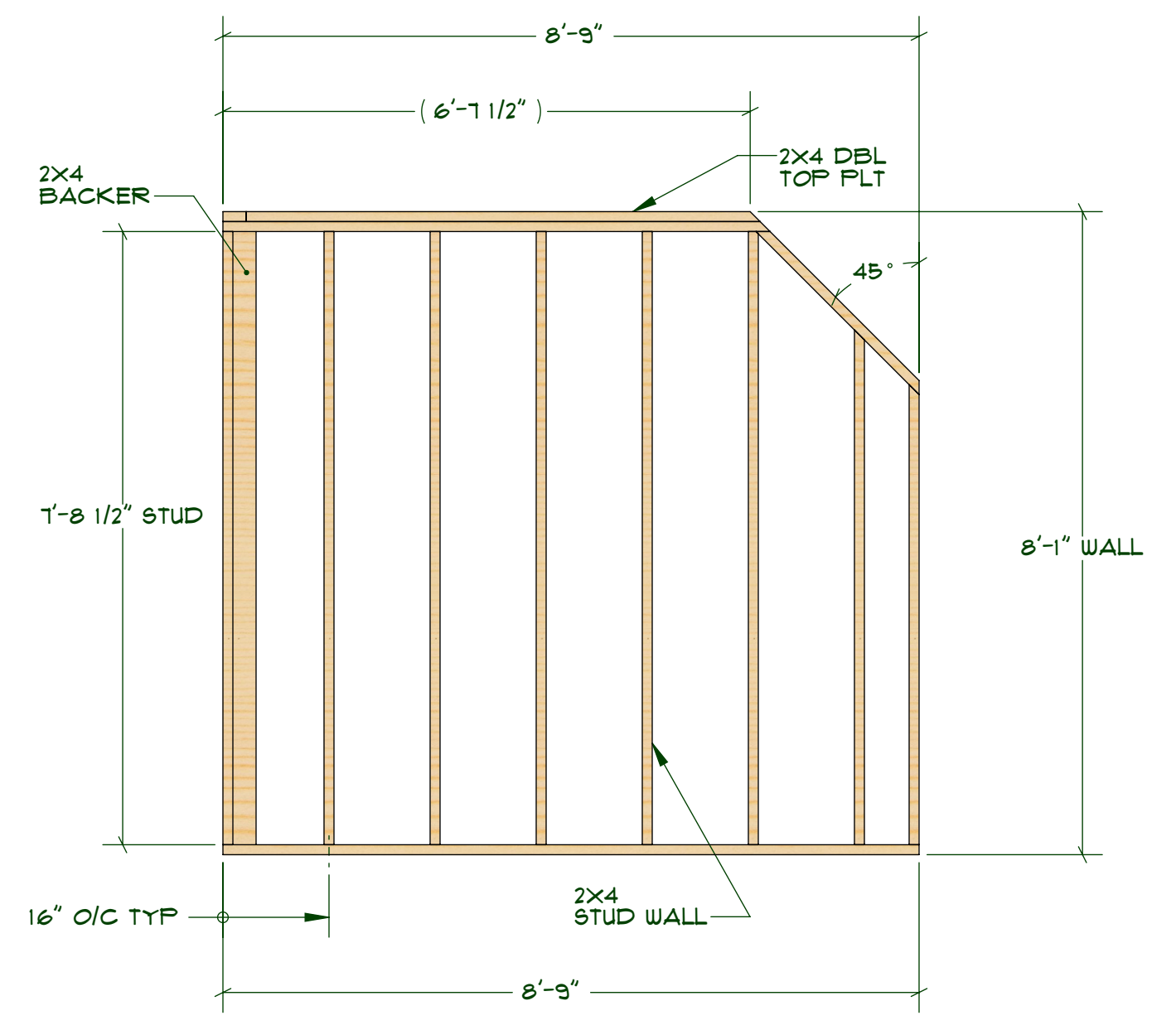
BEDROOM WALL FRAMING
 SCALE: 1/2"=1'-0"



ENTRYWAY WALL FRAMING
 SCALE: 1/2"=1'-0"



KITCHENETTE WALL FRAMING
 SCALE: 1/2"=1'-0"



- WALL FRAMING NOTES:**
1. VERIFY ALL ROUGH OPENING WIDTHS AND HEIGHTS.
 2. ALL EXTERIOR WALLS 2X6 STUDS UNLESS OTHERWISE INDICATED.
 3. ALL INTERIOR WALLS 2X4 STUDS UNLESS OTHERWISE INDICATED.
 4. EXT. WALLS 7/16 OSB SHEATHING AND NAILED W/ 8d NAILS @ 6" O/C EDGES AND 12" O/C FIELD.
 5. INSTALL BACKERS FOR FIXTURES AND GYP. BOARD AS REQUIRED.